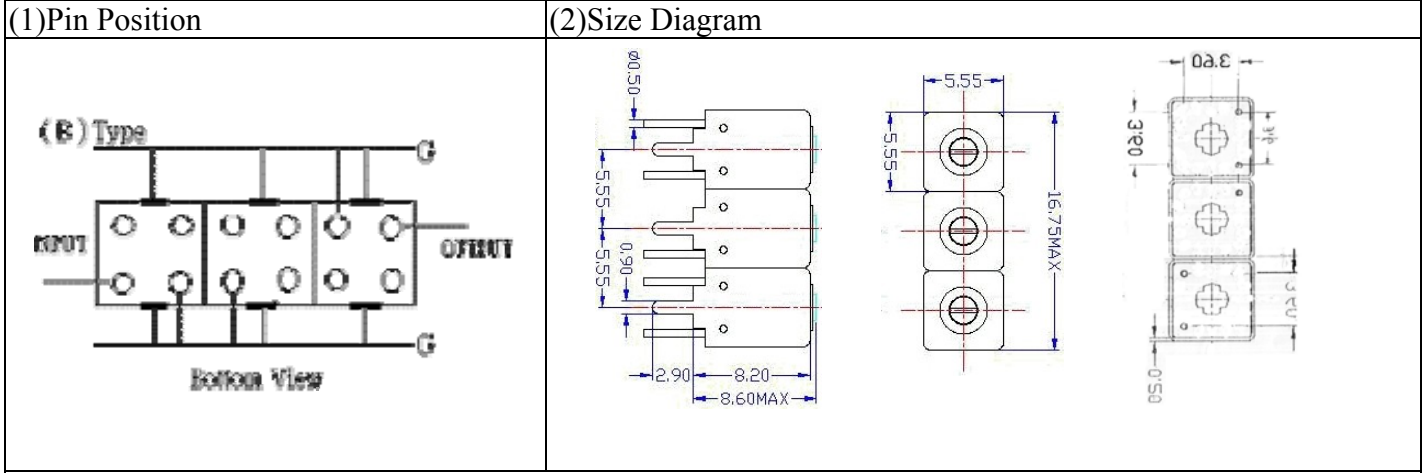


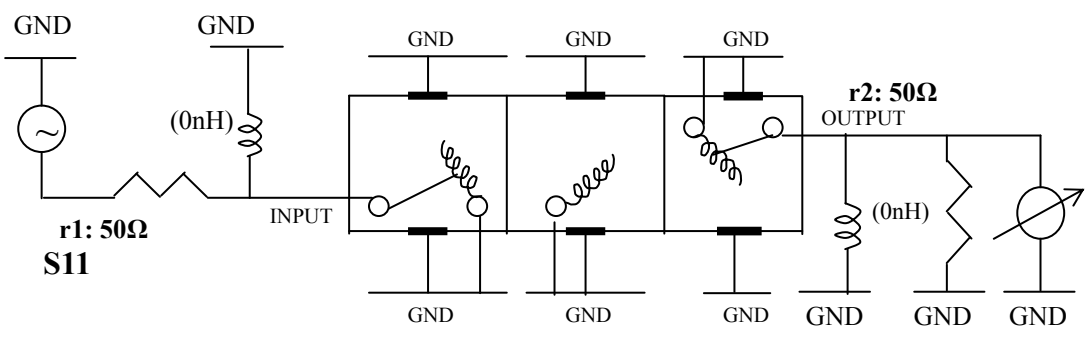
VHF UHF Helical Filter Specification Sheet

Customer Name		Temwell's Part No.	TTW3700B-1625M
Approval No. /dated	0904047CD	Temwell's print Name.	3700B 1625M
Work Instruction No.	200904047CD	Date	Aug.11.2009



(3) Electric Characteristic			
Item	Specify	Performance	
Center Freq.(Fo) +/- 0.5 %	1625 MHz	1625	MHz
Insertion Loss	Typ. 5.5 dB	4.58	dB
-3 dB Bandwidth	Typ. 20 MHz	32.8	MHz
Sensitivity (Attenuation)	Fo - 100 MHz	Typ. 51 dBc	54 dBc
	Fo + 100 MHz	Typ. 34 dBc	37 dBc
	Fo - ()MHz	Typ. dBc	dBc
	Fo +()MHz	Typ. dBc	dBc
Return Loss	Min. 12 dB	37.3	dB
Ripple	< 1 dB		dB
Impedance	In / Out : 50 Ω	In / Out : 50 Ω	
(4) Torque for Tuning Screw	> 60gf • cm		
(5) Temperature Condition:			
Operating Temperature	0°C ~ +60°C		
Storage Temperature	-20°C ~ +70°C		
(6) Input Power	> 0.5Watt		

(7) Measuring Circuit: ※Easy to match Impedance S11/S22 50Ω/ by parallel with about(0 nH) / (0 nH).
S22



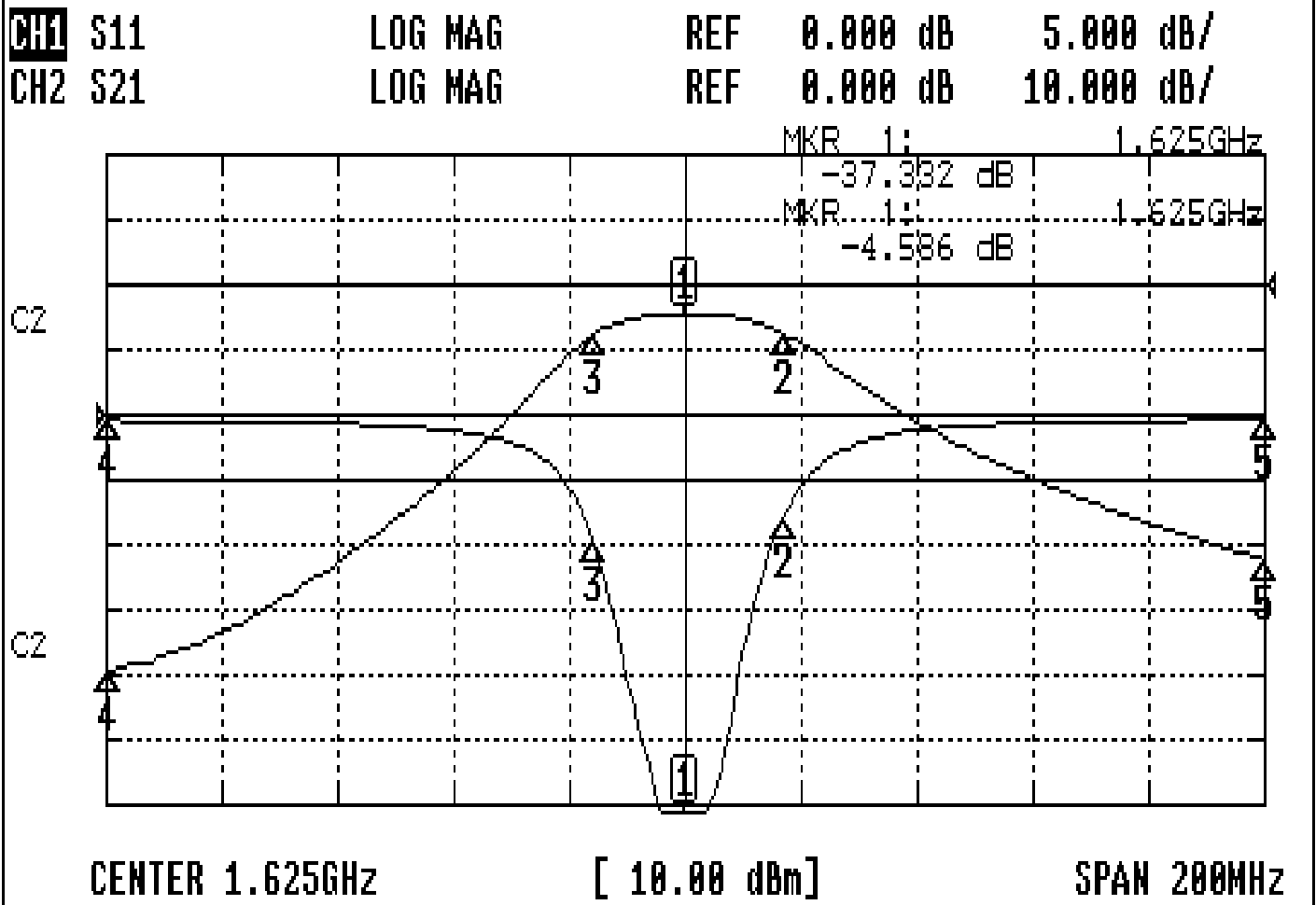
(Bottom View)

Approval	Supervisor	Designer	Aperture size
C.Y.Chang	C.K.Chang	C.H.Yeh	5W3S(3.8*3.5)(3.59) 5HW046RB3.2

TEMWELL CORPORATION

Performance-TTW3700B-1625M

200904047CD



CH1 MARKER LIST

1:	1.625	000GHz	-37.332	dB
2:	1.642	166GHz	-7.766	dB
3:	1.609	333GHz	-9.889	dB
4:	1.525	000GHz	-0.423	dB
5:	1.725	000GHz	-0.396	dB
6:				
7:				
8:				
9:				
10:				

CH2 MARKER LIST

1:	1.625	000GHz	-4.586	dB
2:	1.642	166GHz	-7.564	dB
3:	1.609	333GHz	-7.600	dB
4:	1.525	000GHz	-59.330	dB
5:	1.725	000GHz	-42.293	dB
6:				
7:				
8:				
9:				
10:				