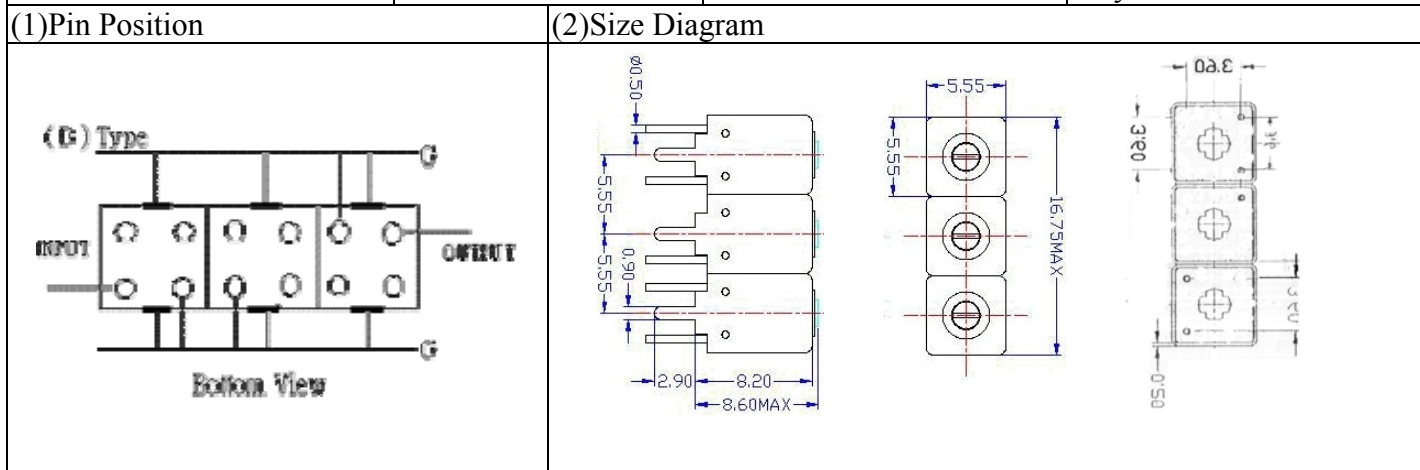


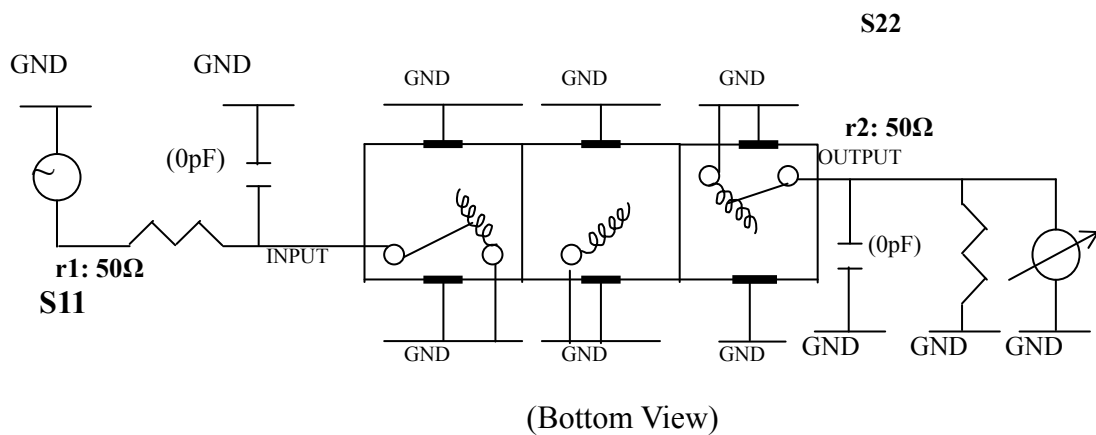
VHF UHF Helical Filter Specification Sheet

Customer Name		Temwell's Part No.	TTW3698B-1525M
Approval No. /dated	0904043CD	Temwell's Print Name.	3698B 1525M
Work Instruction No.	200904043CD	Date	May.07.2009



(3) Electric Character			
Item	Specify	Performance	
Center Freq.(Fo) +/- 0.5 %	1525 MHz	1525	MHz
Insertion Loss	Typ. 4.5 dB	3.86	dB
-3 dB Bandwidth	Typ. 23 MHz	35.7	MHz
Sensitivity (Attenuation)	Fo - 100 MHz	Typ. 45	dBc
	Fo + 100 MHz	Typ. 32	dBc
	Fo - ()MHz	Typ.	dBc
	Fo + ()MHz	Typ.	dBc
Return Loss	Min. 12 dB	22.2	dB
Ripple	< 1 dB		dB
Impedance	In / Out : 50 Ω	In / Out : 50 Ω	
(4) Torque for Tuning Screw		> 60gf • cm	
(5) Temperature Condition:			
Operating Temperature	0°C ~ +60°C		
Storage Temperature	-20°C ~ +70°C		
(6) Input Power		> 0.5Watt	

(7) Measuring Circuit: ※Easy to match Impedance S11/S22 50Ω by parallel with about(0pF) / (0pF).



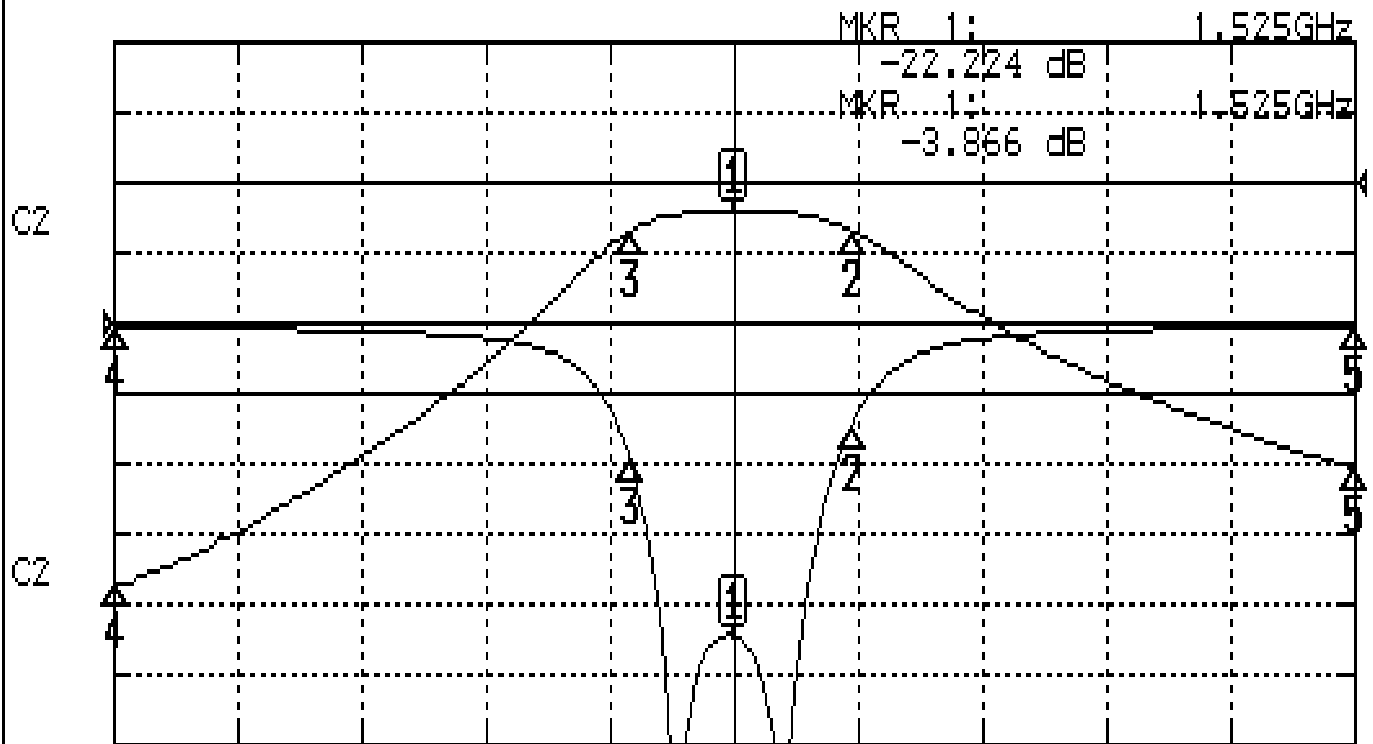
Approval C.Y.Chang	Supervisor C.K.Chang	Designer C.H.Yeh	Aperture size 5W3S(3.8*4.0)(4.15) 5HW024RB3
-----------------------	-------------------------	---------------------	---------------------------------------------------

TEMWELL CORPORATION

Performance-TTW3698B-1525M

200904043CD

CH1 S11 LOG MAG REF 0.000 dB 5.000 dB/
CH2 S21 LOG MAG REF 0.000 dB 10.000 dB/



CENTER 1.525GHz

[10.00 dBm]

SPAN 200MHz

CH1 MARKER LIST

Marker	Freq (GHz)	Magnitude (dB)
1:	1.525 000GHz	-22.212 dB
2:	1.544 000GHz	-7.299 dB
3:	1.508 333GHz	-9.748 dB
4:	1.425 000GHz	-0.303 dB
5:	1.625 000GHz	-0.304 dB

CH2 MARKER LIST

Marker	Freq (GHz)	Magnitude (dB)
1:	1.525 000GHz	-3.866 dB
2:	1.544 000GHz	-6.831 dB
3:	1.508 333GHz	-6.827 dB
4:	1.425 000GHz	-57.707 dB
5:	1.625 000GHz	-40.723 dB