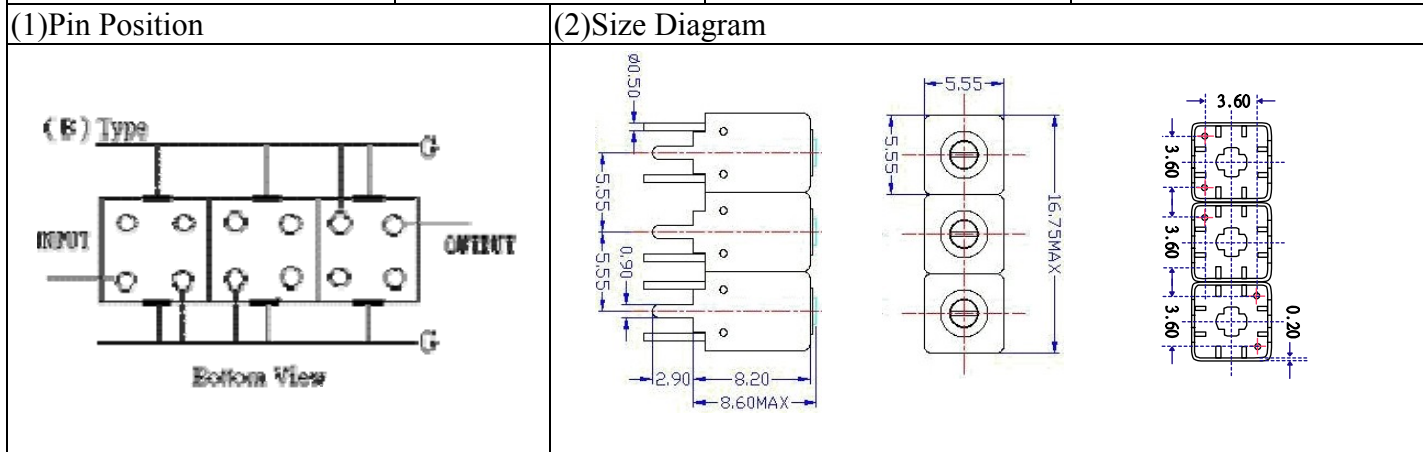


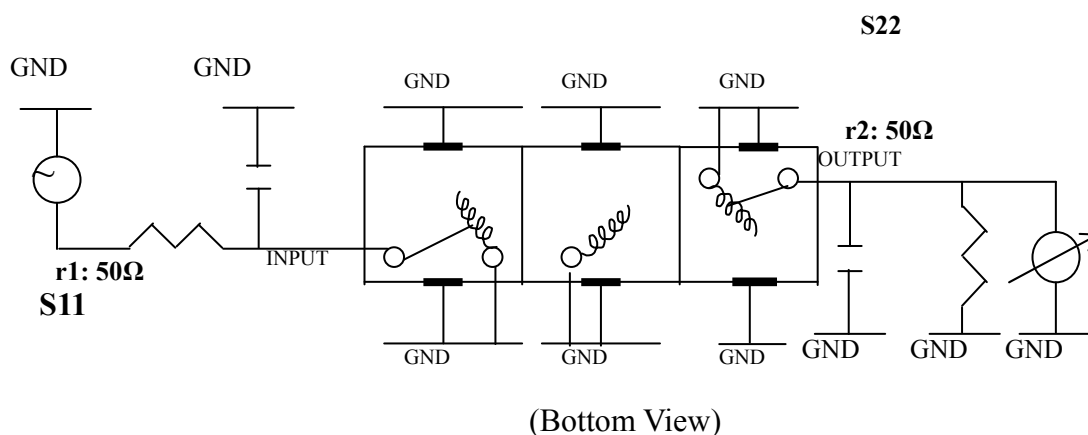
VHF UHF Helical Filter Specification Sheet

Customer Name		Temwell's Part No.	TTW3686B-1075M
Approval No. /dated	201407100CD	Temwell's Print Name.	3686B 1075M
Work Instruction No.	201407100CD	Date	Nov.03.2014



(3) Electric Character					
Item		Specify		Performance	
Center Freq.(Fo) +/- 0.5 %		1075 MHz		1075 MHz	
Insertion Loss		Typ. 4.5 dB		3.35 dB	
-3 dB Bandwidth		Typ. 25 MHz		32.3 MHz	
Sensitivity (Attenuation)	Fo - 50 MHz	Typ. 30 dBc		33 dBc	
	Fo + 50 MHz	Typ. 25 dBc		28 dBc	
	Fo - ()MHz	Typ. dBc		dBc	
	Fo + ()MHz	Typ. dBc		dBc	
Return Loss		Min. 12 dB		19.6 dB	
Ripple		< 1 dB		dB	
Impedance		In / Out : 50 Ω		In / Out : 50 Ω	
(4) Torque for Tuning Screw		> 60gf · cm			
(5) Temperature Condition:					
Operating Temperature		0°C ~ +60°C			
Storage Temperature		-20°C ~ +70°C			
(6) Input Power		> 0.5Watt			

(7) Measuring Circuit: ※Easy to match Impedance S11/S22 50Ω by parallel with about(--)



Approval C.Y.Chang	Supervisor C.K.Chang	Designer W.W.Wang	Aperture size 5W3S(3.8*4.0)(4.02) 5HW024RB3
-----------------------	-------------------------	----------------------	---

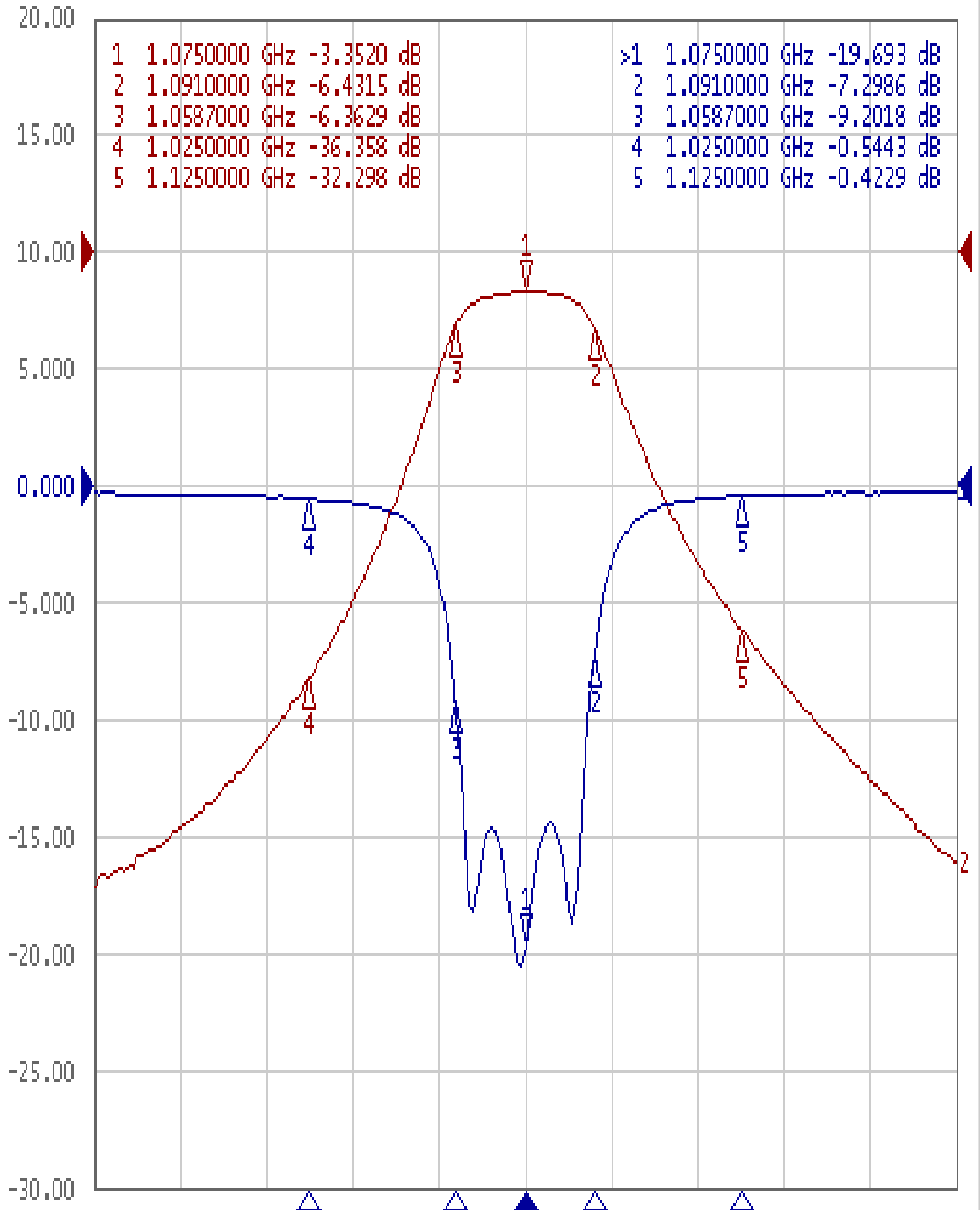
TEMWELL CORPORATION

Performance-TTW3686B-1075M

201407100CD

Tr1 S11 Log Mag 5.000dB/ Ref 0.000dB [F2]

Tr2 S21 Log Mag 10.00dB/ Ref 0.000dB [F2]



1 Center 1.075 GHz

IFBW 70 kHz

Span 200 MHz Cor !