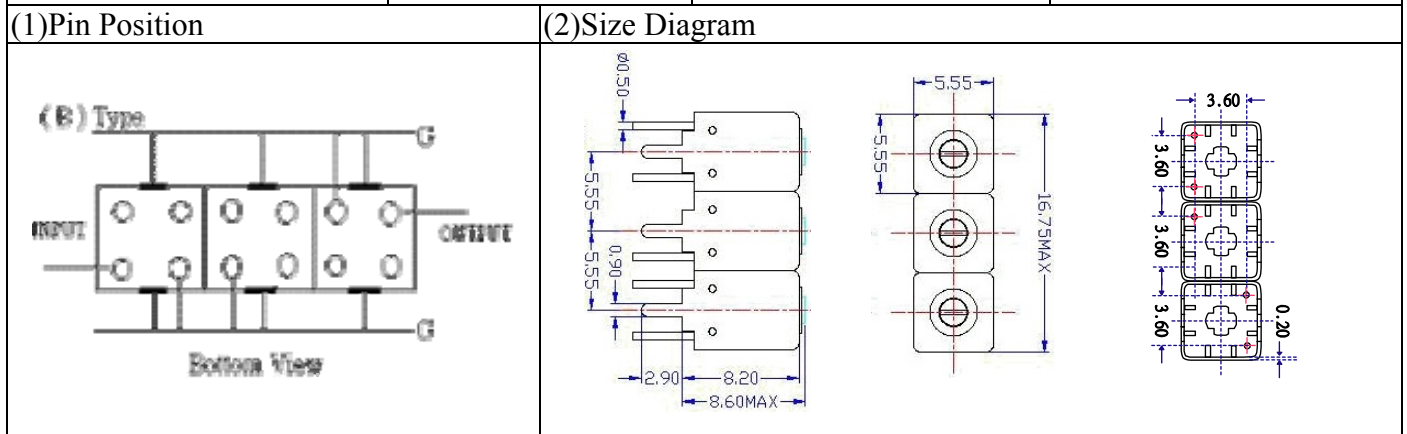


VHF UHF Helical Filter Specification Sheet

Customer Name		Temwell's Part No.	TTW3685B-1025M
Approval No. /dated	201407096CD	Temwell's Print Name.	3685B 1025M
Work Instruction No.	201407096CD	Date	Oct.24.2014



(3) Electric Character		Item	Specify	Performance
Center Freq.(Fo) +/- 0.5 %			1025 MHz	1025 MHz
Insertion Loss		Typ.	4.0 dB	2.63 dB
-3 dB Bandwidth		Typ.	25 MHz	31.3 MHz
Sensitivity (Attenuation)	Fo - 50 MHz	Typ.	23 dBc	28 dBc
	Fo + 50 MHz	Typ.	16 dBc	21 dBc
	Fo - ()MHz	Typ.	dBc	dBc
	Fo +()MHz	Typ.	dBc	dBc
Return Loss		Min.	12 dB	36.0 dB
Ripple			< 1 dB	dB
Impedance			In / Out : 50 Ω	In / Out : 50 Ω

(4) Torque for Tuning Screw > 60gf · cm

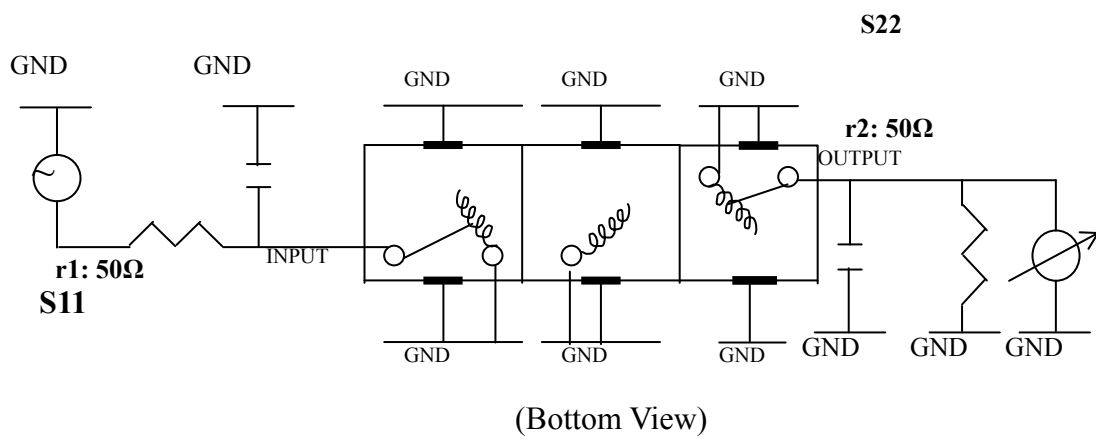
(5) Temperature Condition:

Operating Temperature 0°C ~ +60°C

Storage Temperature -20°C ~ +70°C

(6) Input Power > 0.5Watt

(7) Measuring Circuit: ※Easy to match Impedance S11/S22 50Ω by parallel with about(--) / (--).



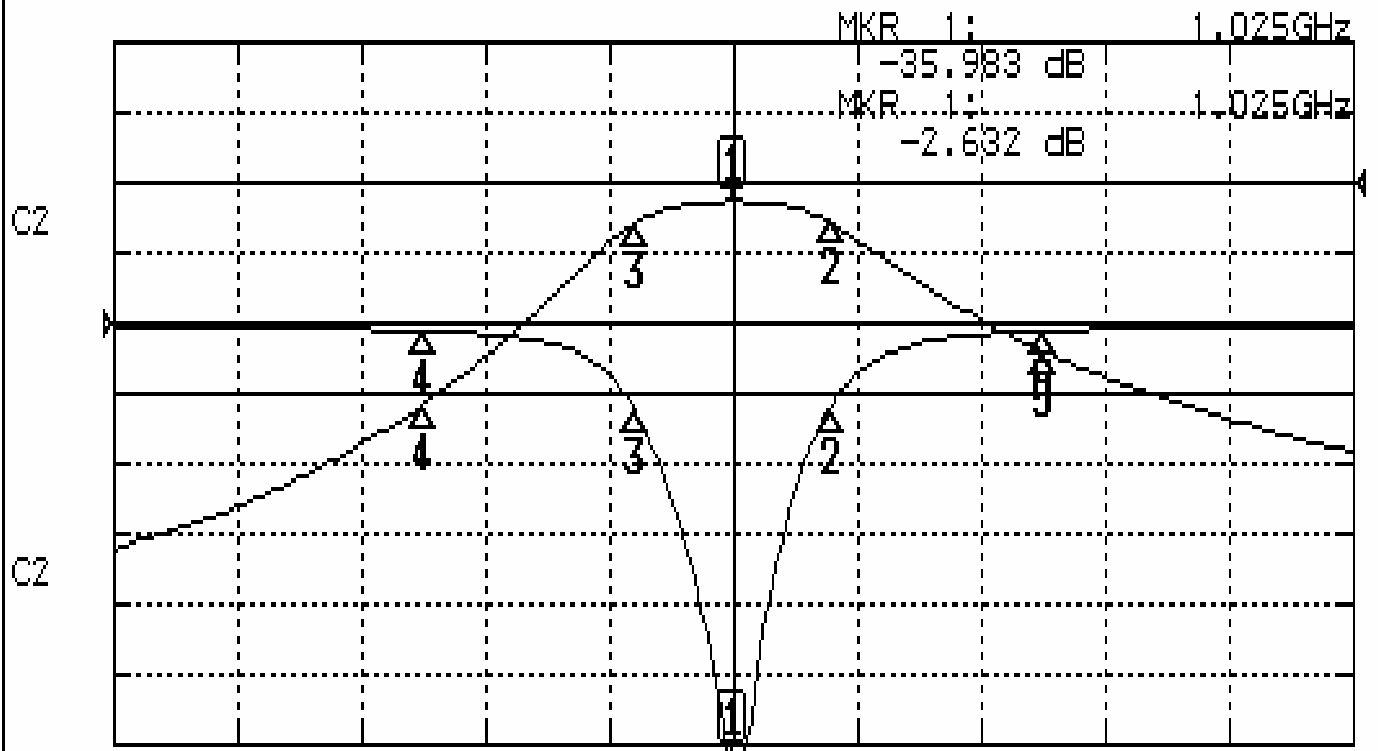
Approval	Supervisor	Designer	Aperture size
C.Y.Chang	C.K.Chang	C.H.Yeh	5W3S(3.8*4.5)(4.55) 5HW02RB3

TEMWELL CORPORATION

Performance-TTW3685B-1025M

201407096CD

CH1 S11 LOG MAG REF 0.000 dB 5.000 dB/
 CH2 S21 LOG MAG REF 0.000 dB 10.000 dB/



CENTER 1.025GHz

[10.00 dBm]

SPAN 200MHz

CH1 MARKER LIST

1:	1.025	000GHz	-36.081	dB
2:	1.040	666GHz	-6.015	dB
3:	1.009	333GHz	-6.257	dB
4:	975	.000MHz	-0.553	dB
5:	1.075	000GHz	-0.541	dB
6:				
7:				
8:				
9:				
10:				

CH2 MARKER LIST

1:	1.025	000GHz	-2.632	dB
2:	1.040	666GHz	-5.610	dB
3:	1.009	333GHz	-5.665	dB
4:	975	.000MHz	-31.484	dB
5:	1.075	000GHz	-23.940	dB
6:				
7:				
8:				
9:				
10:				