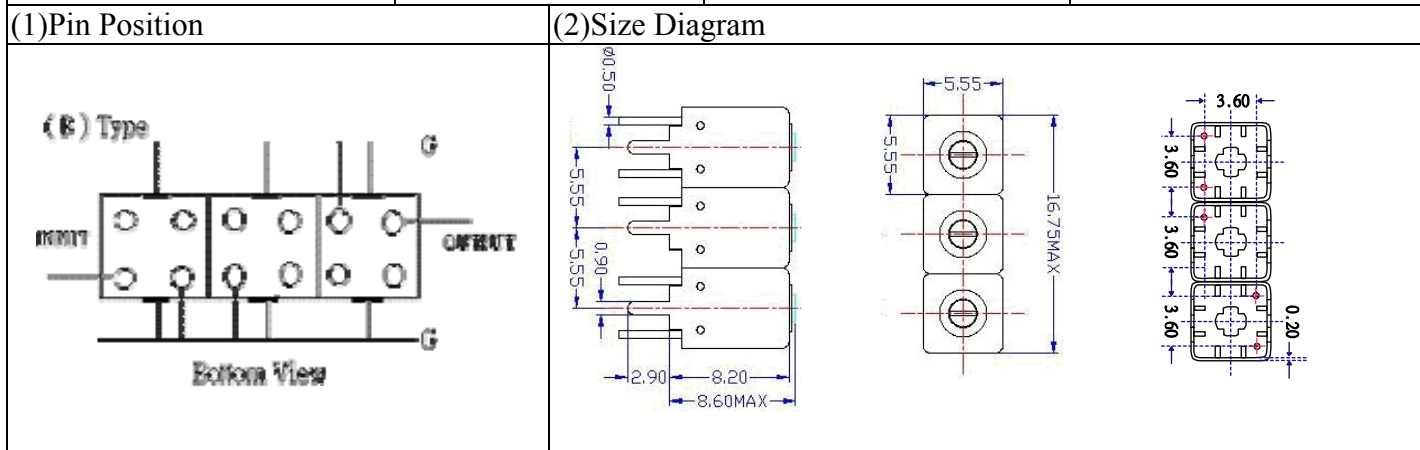


VHF UHF Helical Filter Specification Sheet

Customer Name		Temwell's Part No.	TTW3674B-925M
Approval No. /dated	201407166CD	Temwell's Print Name.	3674B 925M
Work Instruction No.	201407166CD	Date	Oct.15.2014



(3) Electric Character

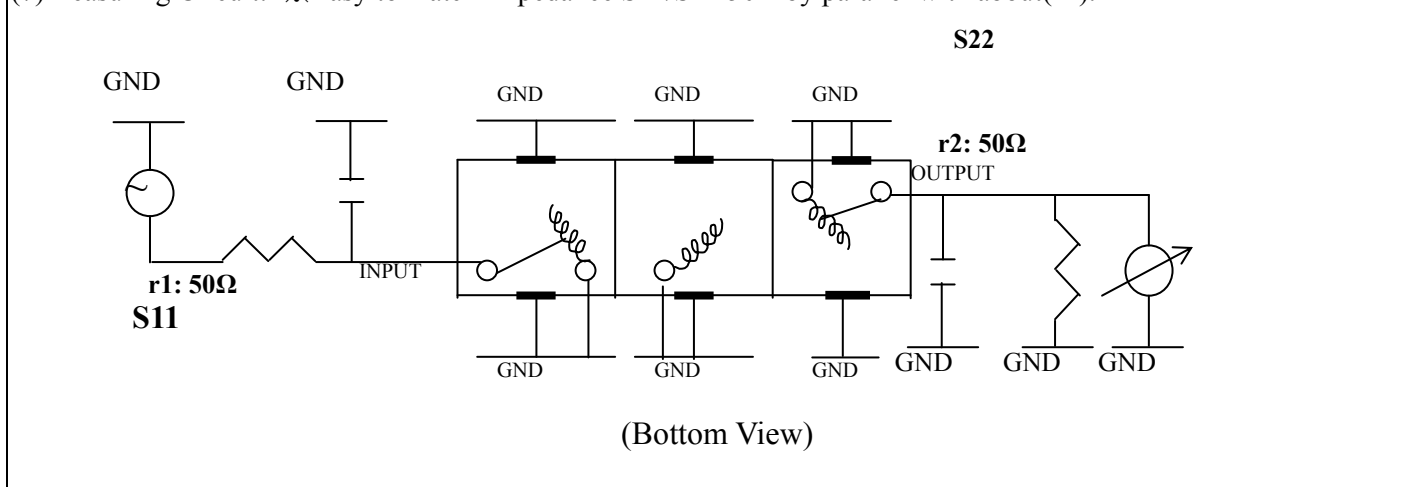
Item	Specify	Performance	
Center Freq.(Fo) +/- 0.5 %	925 MHz	925 MHz	
Insertion Loss	Typ. 5.0 dB	2.60 dB	
-3 dB Bandwidth	Typ. 20 MHz	28.6 MHz	
Sensitivity (Attenuation)	Fo - 100 MHz	Typ. 44 dBc	47 dBc
	Fo + 100 MHz	Typ. 31 dBc	38 dBc
	Fo - ()MHz	Typ. dBc	dBc
	Fo + ()MHz	Typ. dBc	dBc
Return Loss	Min. 12 dB	23.2 dB	
Ripple	< 1 dB	dB	
Impedance	In / Out : 50 Ω	In / Out : 50 Ω	
(4) Torque for Tuning Screw	> 60gf · cm		

(5) Temperature Condition:

Operating Temperature	0°C ~ +60°C
Storage Temperature	-20°C ~ +70°C

(6) Input Power

(7) Measuring Circuit: ※Easy to match Impedance S11/S22 50Ω by parallel with about(- -).



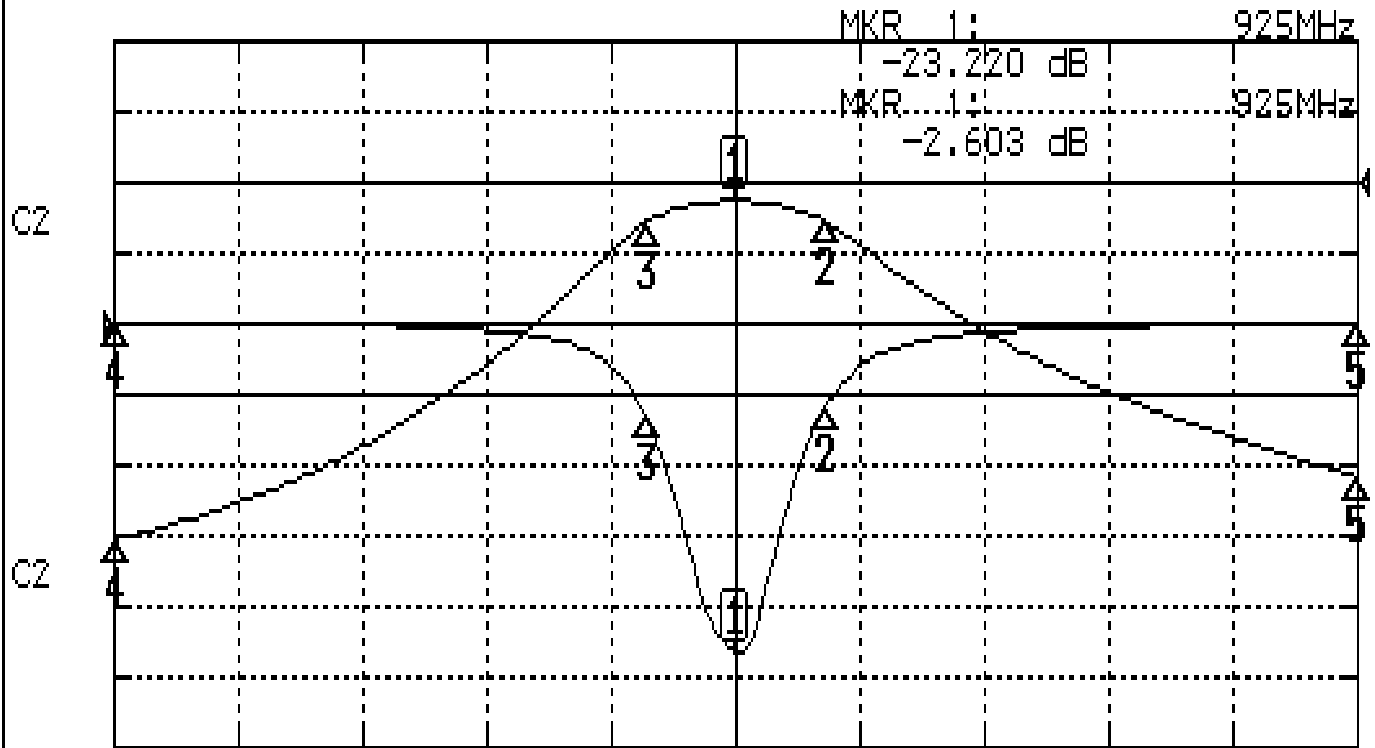
Approval	Supervisor	Designer	Aperture size
C.Y.Chang	C.K.Chang	M.Y.Kang	5W3S(3.8*4.0)(4.04) 5HW024RB3

TEMWELL CORPORATION

Performance-TTW3674B-925M

201407166CD

CH1 S11 LOG MAG REF 0.000 dB 5.000 dB/
CH2 S21 LOG MAG REF 0.000 dB 10.000 dB/



CENTER 925MHz

[10.00 dBm]

SPAN 200MHz

CH1 MARKER LIST

1:	925.000MHz	-23.220	dB
2:	939.500MHz	-15.942	dB
3:	910.833MHz	-6.751	dB
4:	825.000MHz	0.038	dB
5:	1.025 000GHz	0.010	dB
6:			
7:			
8:			
9:			
10:			

CH2 MARKER LIST

1:	925.000MHz	-2.603	dB
2:	939.500MHz	-15.678	dB
3:	910.833MHz	-15.601	dB
4:	825.000MHz	-50.485	dB
5:	1.025 000GHz	-41.545	dB
6:			
7:			
8:			
9:			
10:			