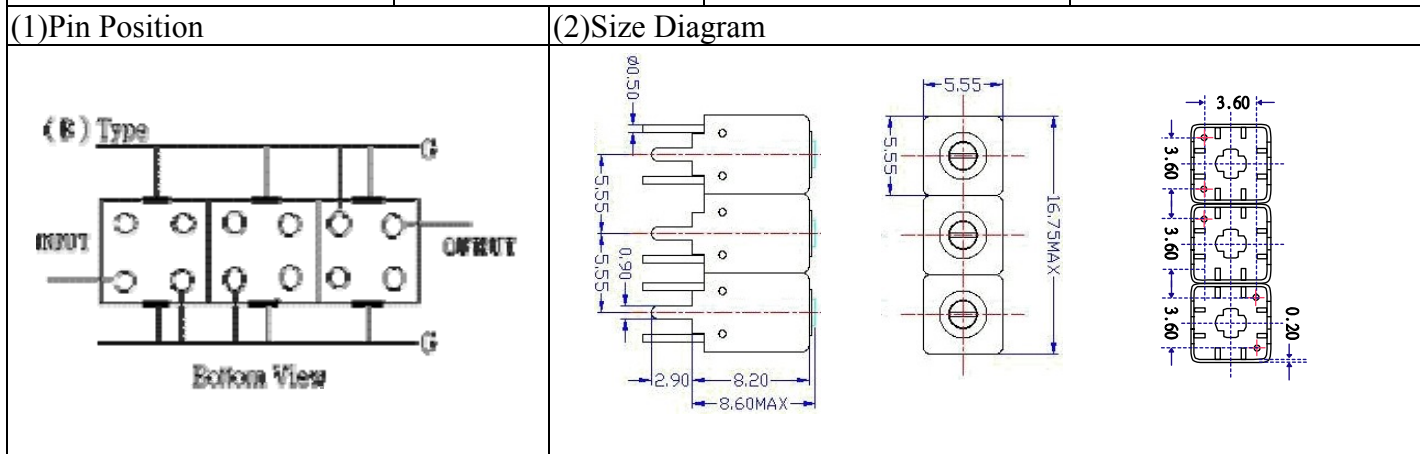


# VHF UHF Helical Filter Specification Sheet

Customer Name		Temwell's Part No.	TTW3664B-1175M
Approval No. /dated	201407103CD	Temwell's Print Name.	3664B 1175M
Work Instruction No.	201407103CD	Date	Dec.16.2014



### (3) Electric Character

Item	Specify	Performance	
Center Freq.(Fo) +/- 0.5 %	1175 MHz	1175 MHz	
Insertion Loss	Typ. 4.0 dB	3.22 dB	
-3 dB Bandwidth	Typ. 19 MHz	32.3 MHz	
Sensitivity (Attenuation)	Fo - 100 MHz	Typ. 48 dBc	51 dBc
	Fo + 100 MHz	Typ. 34 dBc	37 dBc
	Fo - ( )MHz	Typ. dBc	dBc
	Fo + ( )MHz	Typ. dBc	dBc
Return Loss	Min. 12 dB	27.9 dB	
Ripple	< 1 dB	dB	
Impedance	In / Out : 50 Ω	In / Out : 50 Ω	
(4) Torque for Tuning Screw	> 60gf · cm		

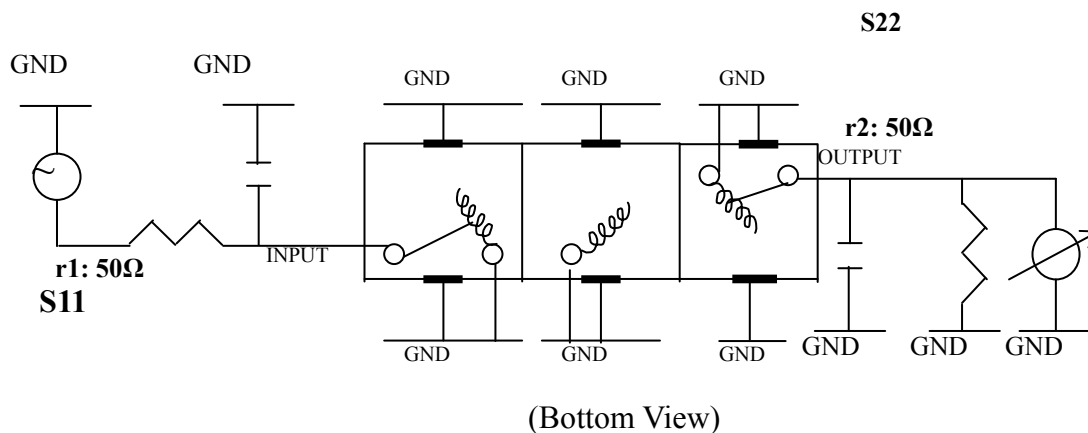
### (5) Temperature Condition:

Operating Temperature	0°C ~ +60°C
Storage Temperature	-20°C ~ +70°C

### (6) Input Power

> 0.5Watt

### (7) Measuring Circuit: ※Easy to match Impedance S11/S22 50Ω by parallel with about( -- ).



Approval	Supervisor	Designer	Aperture size
C.Y.Chang	C.K.Chang	W.w.wang	5W3S(3.8*4.0)(4.05) 5HW024RB3

TEMWELL CORPORATION

TEMWELL

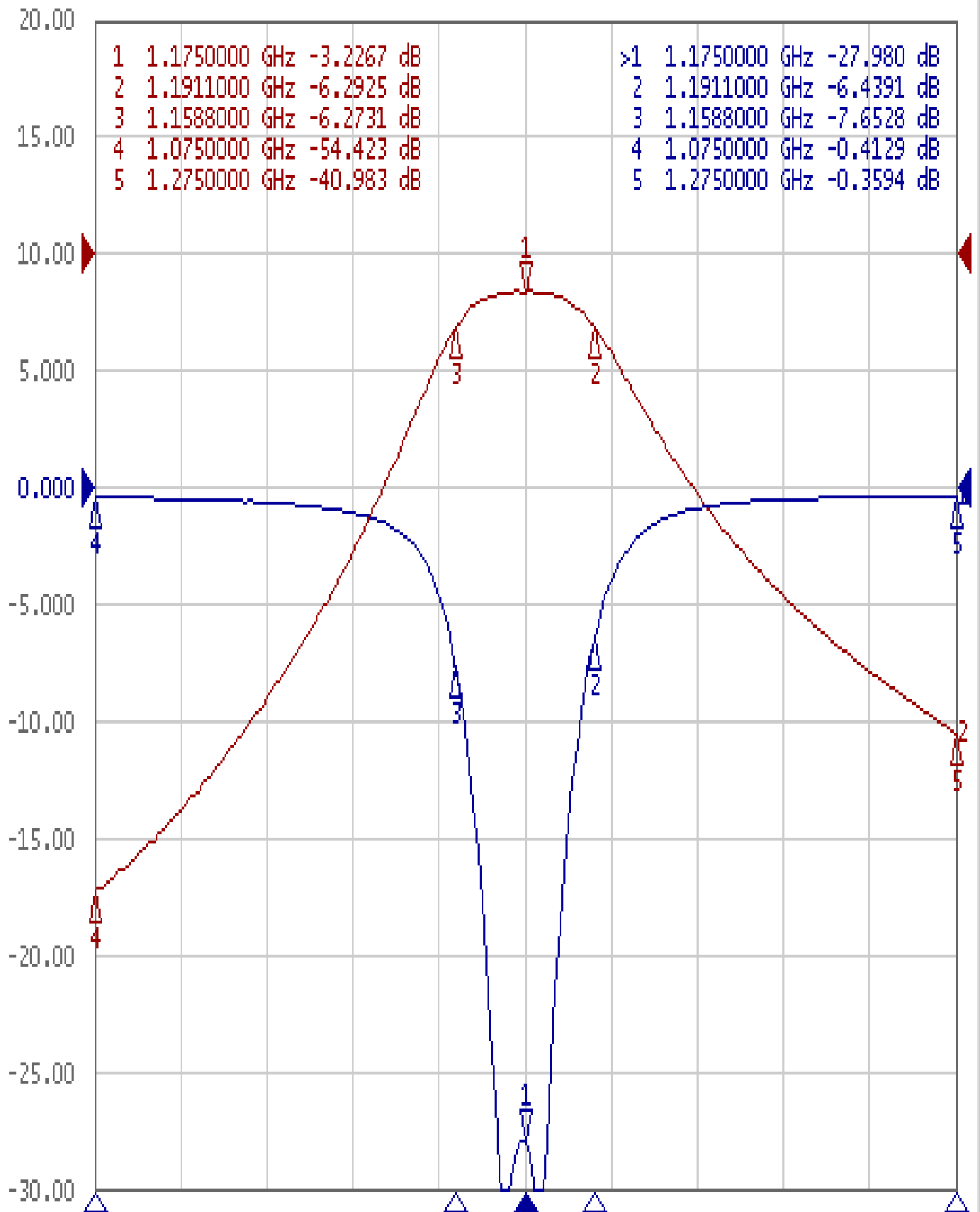
Form10-5W3B Vision D

RP( W.W.W )

# Performance-TTW3664B-1175M

## 201407103CD

Tr1 S11 Log Mag 5.000dB/ Ref 0.000dB [F2]  
Tr2 S21 Log Mag 10.00dB/ Ref 0.000dB [F2]



1 Center 1.175 GHz

IFBW 70 kHz

Span 200 MHz Cor !