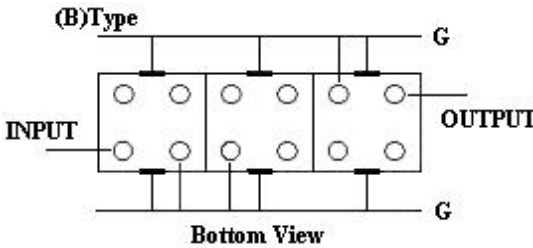
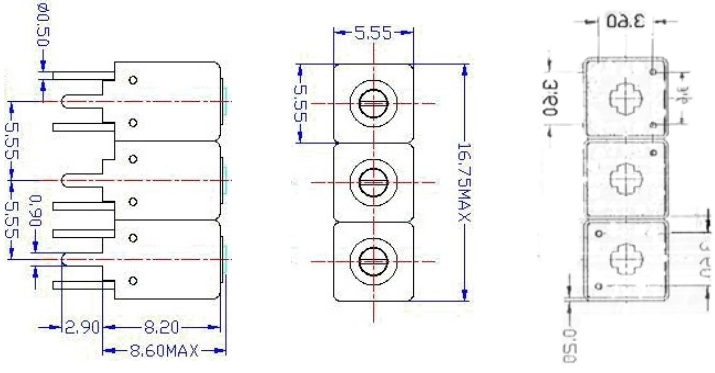


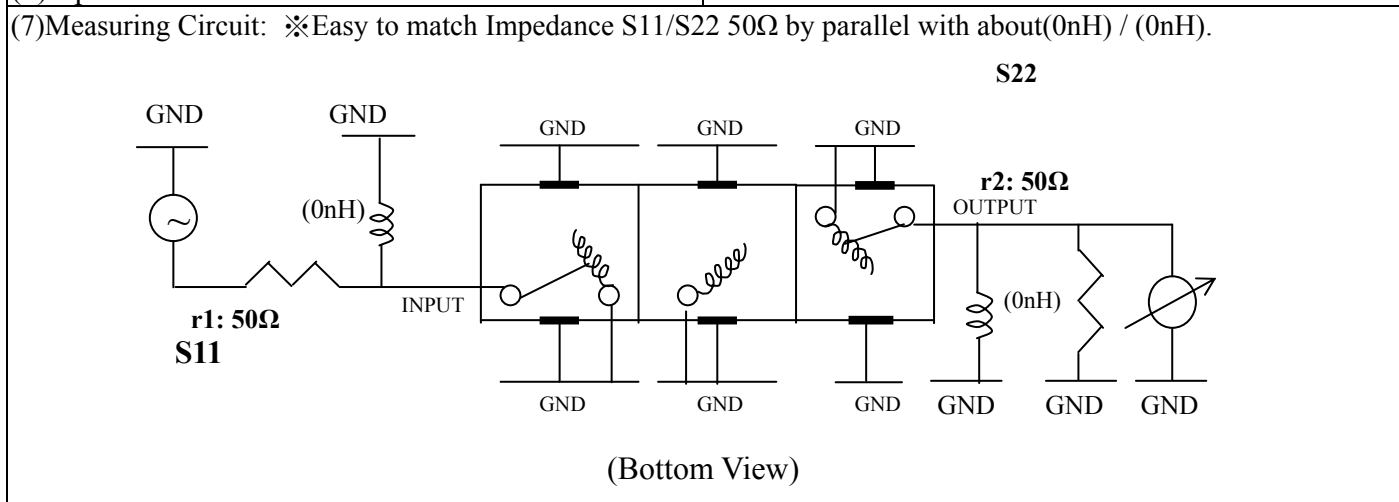
VHF UHF Helical Filter Specification Sheet

Customer Name		Temwell's Part No.	TTW3663B-1125M
Approval No. /dated	0904040CD	Temwell's Print Name	3663B 1125M
Work Instruction No.	200904040CD	Date	Feb.15.2009

<p>(1) Pin Position</p> 	<p>(2) Size Diagram</p> 
--	---

(3) Electric Character

Item	Specify	Performance
Center Freq.(Fo) +/- 0.5 %	1125 MHz	1125 MHz
Tunable Range:	1125±10 MHz	1125±10 MHz
Insertion Loss	Typ. 4.5 dB	3.89 dB
-3 dB Bandwidth	Typ. 15 MHz	27.6 MHz
Sensitivity (Attenuation)	Fo - 50 MHz	Typ. 29 dBc
	Fo + 50 MHz	Typ. 22 dBc
	Fo - ()MHz	Typ. dBc
	Fo +()MHz	Typ. dBc
Return Loss	Min. 12 dB	20.6 dB
Ripple	< 1 dB	dB
Impedance	In / Out : 50 Ω	In / Out : 50 Ω
(4) Torque for Tuning Screw	> 60gf • cm	
(5) Temperature Condition:		
Operating Temperature	0°C ~ +60°C	
Storage Temperature	-20°C ~ +70°C	
(6) Input Power	> 0.5Watt	



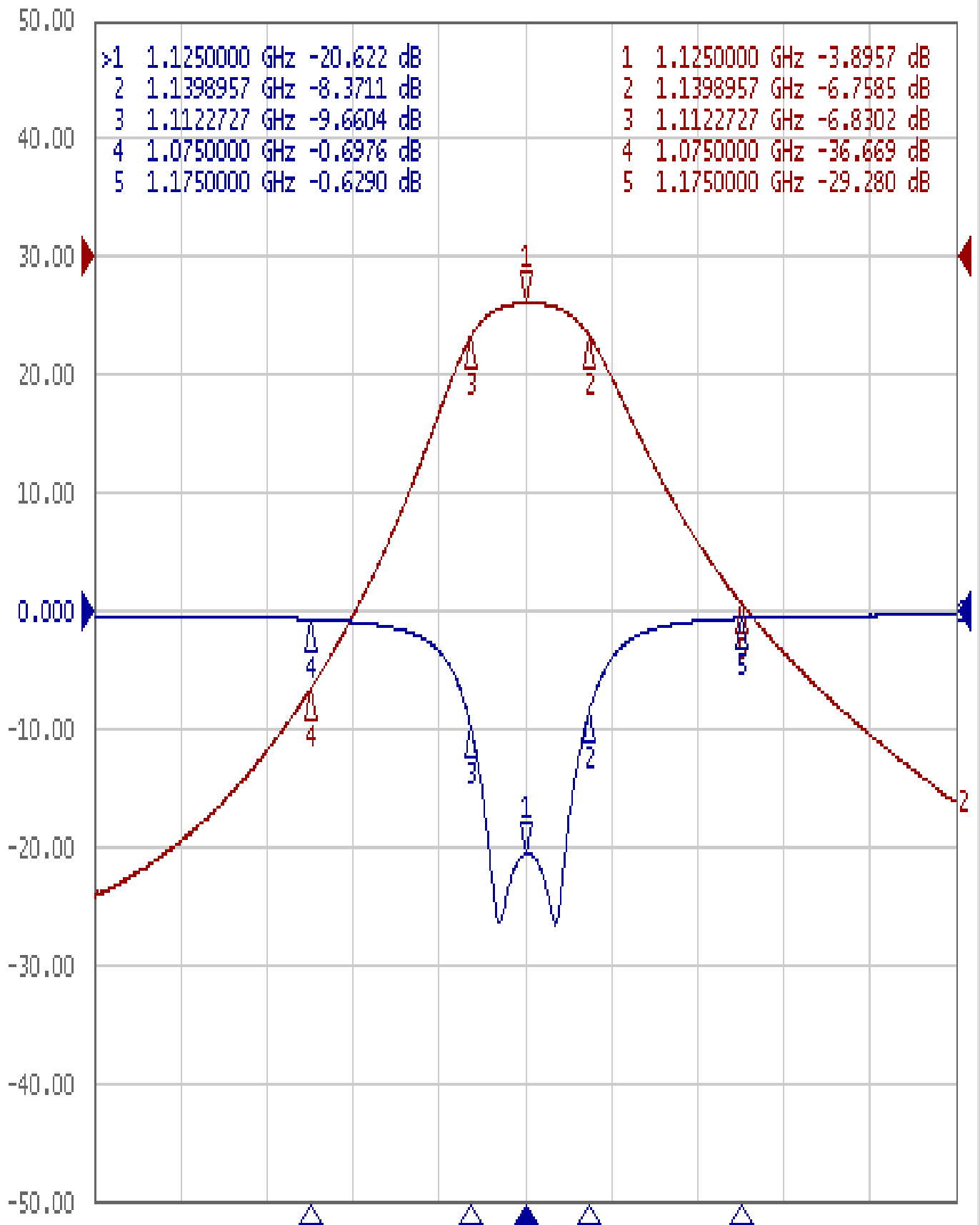
Approval	Supervisor	Designer	Aperture size
C.Y. Chang	C.K.Chang	P.H.Chiang	5W3S(3.8*4.0)(4.08) 5HW024RB3/5HW046RB3.2

TEMWELL CORPORATION

Performance-TTW3663B-1125M

200904040CD

Tr1 S11 Log Mag 10.00dB/ Ref 0.000dB [F2]
Tr2 S21 Log Mag 10.00dB/ Ref 0.000dB [F2]



1 Center 1.125 GHz

IFBW 10 kHz

Span 200 MHz Cor