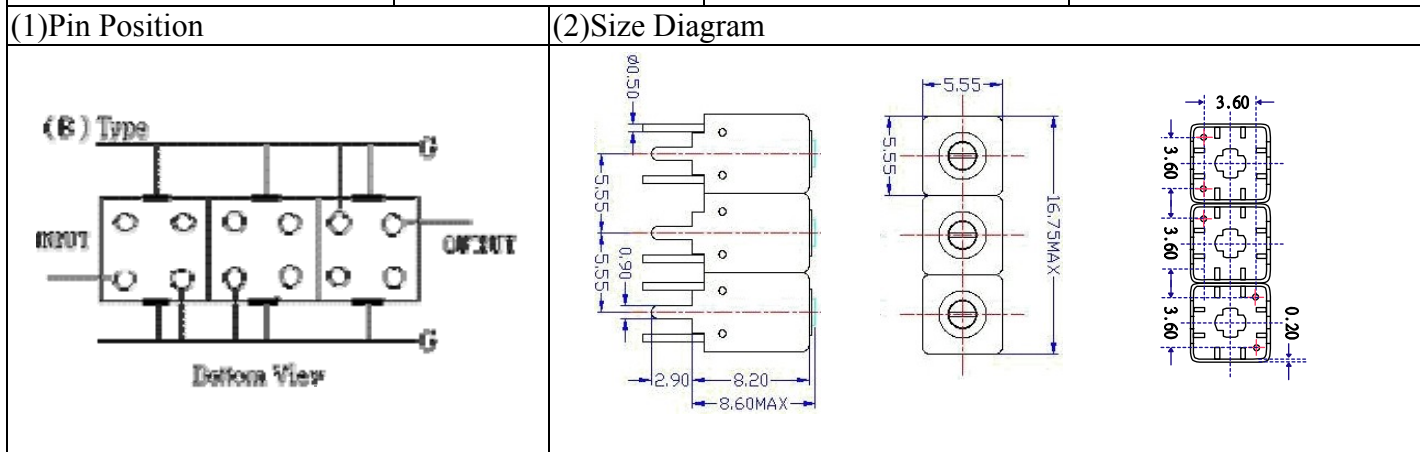


VHF UHF Helical Filter Specification Sheet

Customer Name		Temwell's Part No.	TTW3662B-925M-15M
Approval No. /dated	201407167CD	Temwell's Print Name.	3662B 925M
Work Instruction No.	201407167CD	Date	Oct.15.2014



(3) Electric Character

Item	Specify	Performance	
Center Freq.(Fo) +/- 0.5 %	925 MHz	925 MHz	
Insertion Loss	Typ. 5.0 dB	3.47 dB	
-3 dB Bandwidth	Typ. 15 MHz	23.1 MHz	
Sensitivity (Attenuation)	Fo - 100 MHz	Typ. 45 dBc	50 dBc
	Fo + 100 MHz	Typ. 44 dBc	49 dBc
	Fo - ()MHz	Typ. dBc	dBc
	Fo + ()MHz	Typ. dBc	dBc
Return Loss	Min. 12 dB	33.6 dB	
Ripple	< 1 dB	dB	
Impedance	In / Out : 50 Ω	In / Out : 50 Ω	

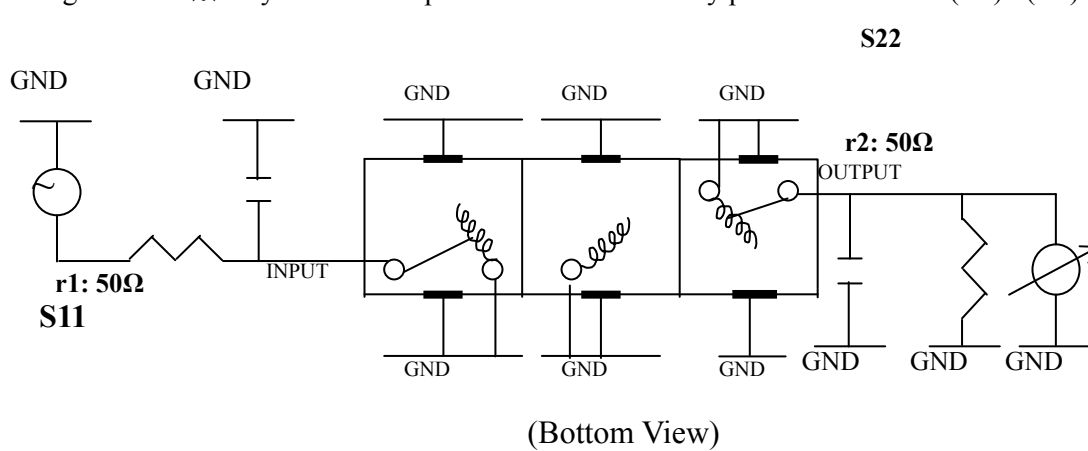
(4) Torque for Tuning Screw > 60gf • cm

(5) Temperature Condition:

Operating Temperature	0°C ~ +60°C
Storage Temperature	-20°C ~ +70°C

(6) Input Power > 0.5Watt

(7) Measuring Circuit: ※Easy to match Impedance S11/S22 50Ω by parallel with about(--) / (--).



Approval	Supervisor	Designer	Aperture size
C.Y.Chang	C.K.Chang	F.L.Lai	5W3S(3.8*3.5)(3.55) 5HW024RB3

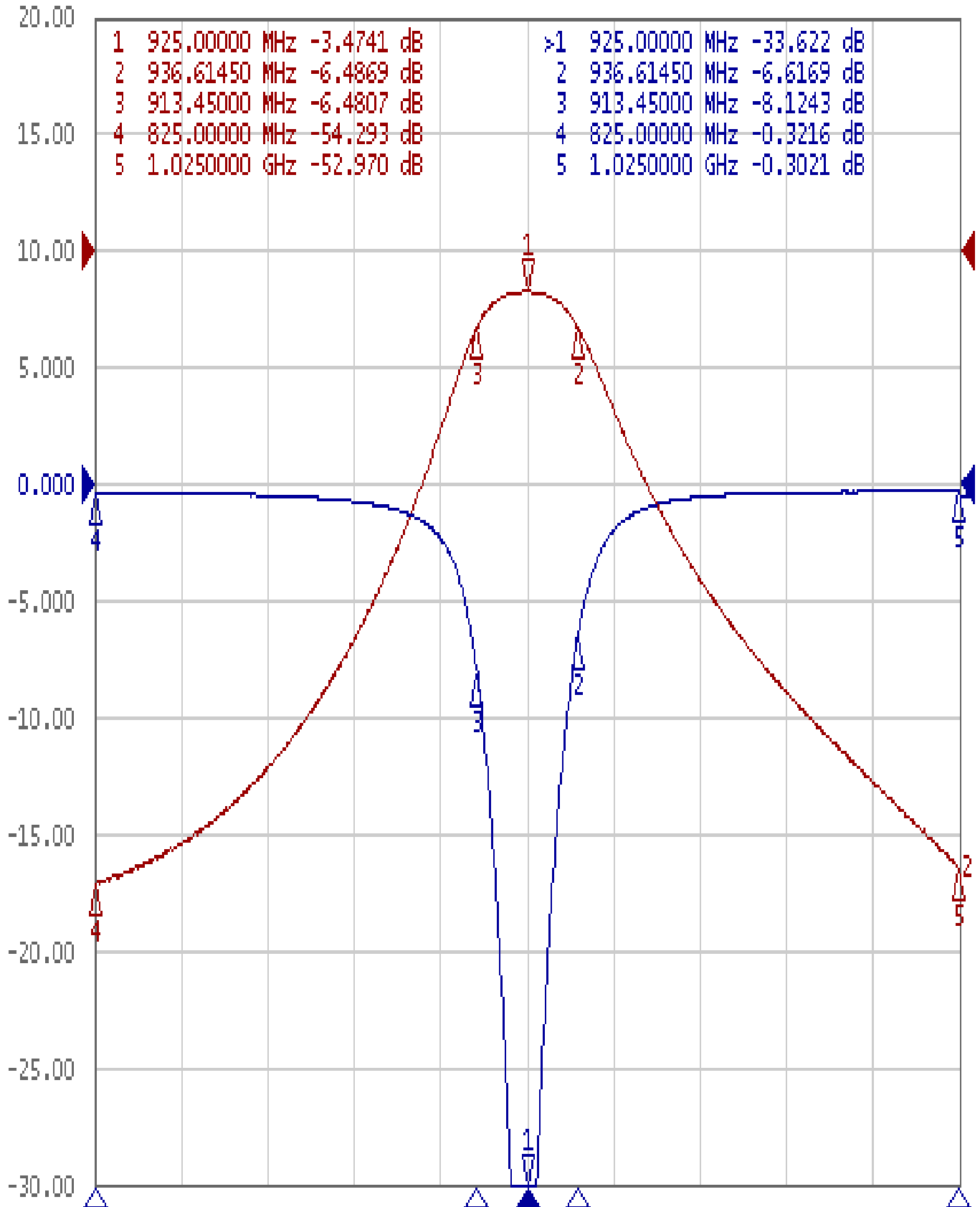
TEMWELL CORPORATION

Performance-TTW3662B-925M-15M

201407167CD

Tr1 S11 Log Mag 5.000dB/ Ref 0.000dB [F2]

Tr2 S21 Log Mag 10.00dB/ Ref 0.000dB [F2]



1 Center 925 MHz

IFBW 10 kHz

Span 200 MHz

Cor !