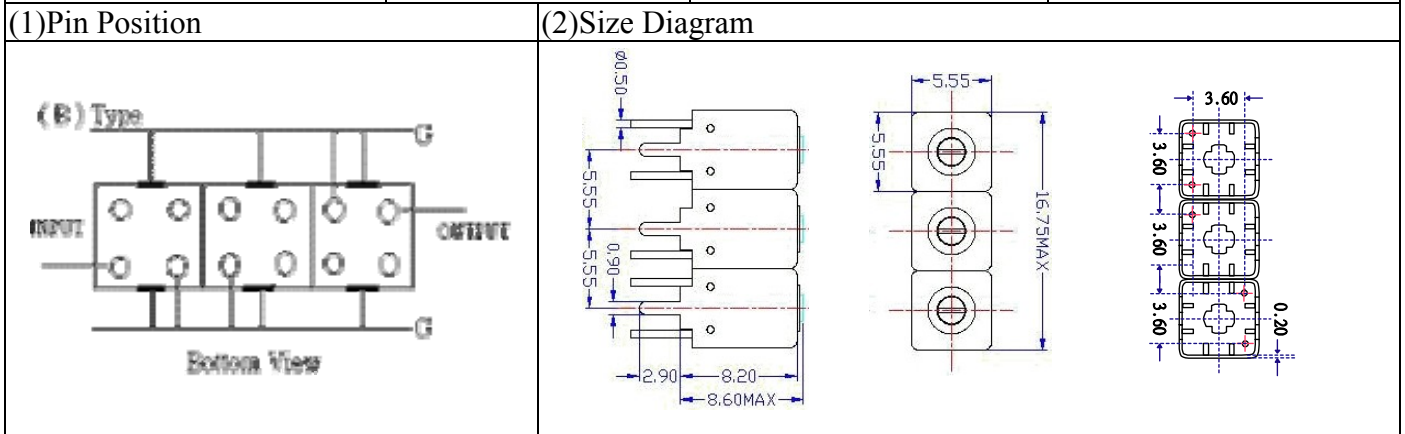


VHF UHF Helical Filter Specification Sheet

Customer Name		Temwell's Part No.	TTW3655B-1125M
Approval No. /dated	201407099CD	Temwell's Print Name.	3655B 1125M
Work Instruction No.	201407099CD	Date	Nov.03.2014



(3) Electric Character		Item	Specify	Performance
Center Freq.(Fo) +/- 0.5 %			1125 MHz	1125 MHz
Insertion Loss		Typ.	5.0 dB	4.38 dB
-3 dB Bandwidth		Typ.	12 MHz	22.3 MHz
Sensitivity (Attenuation)	Fo - 50 MHz	Typ.	32 dBc	35 dBc
	Fo + 50 MHz	Typ.	23 dBc	30 dBc
	Fo - ()MHz	Typ.	dBc	dBc
	Fo +()MHz	Typ.	dBc	dBc
Return Loss		Min.	12 dB	22.9 dB
Ripple			< 1 dB	dB
Impedance			In / Out : 50 Ω	In / Out : 50 Ω

(4) Torque for Tuning Screw > 60gf · cm

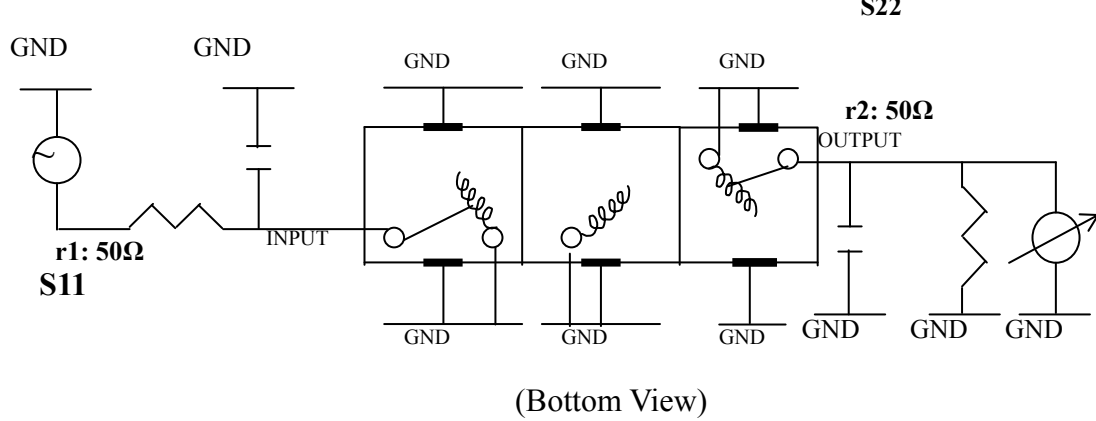
(5) Temperature Condition:

Operating Temperature 0°C ~ +60°C

Storage Temperature -20°C ~ +70°C

(6) Input Power > 0.5Watt

(7) Measuring Circuit: ※Easy to match Impedance S11/S22 50Ω by parallel with about(--) / (--).



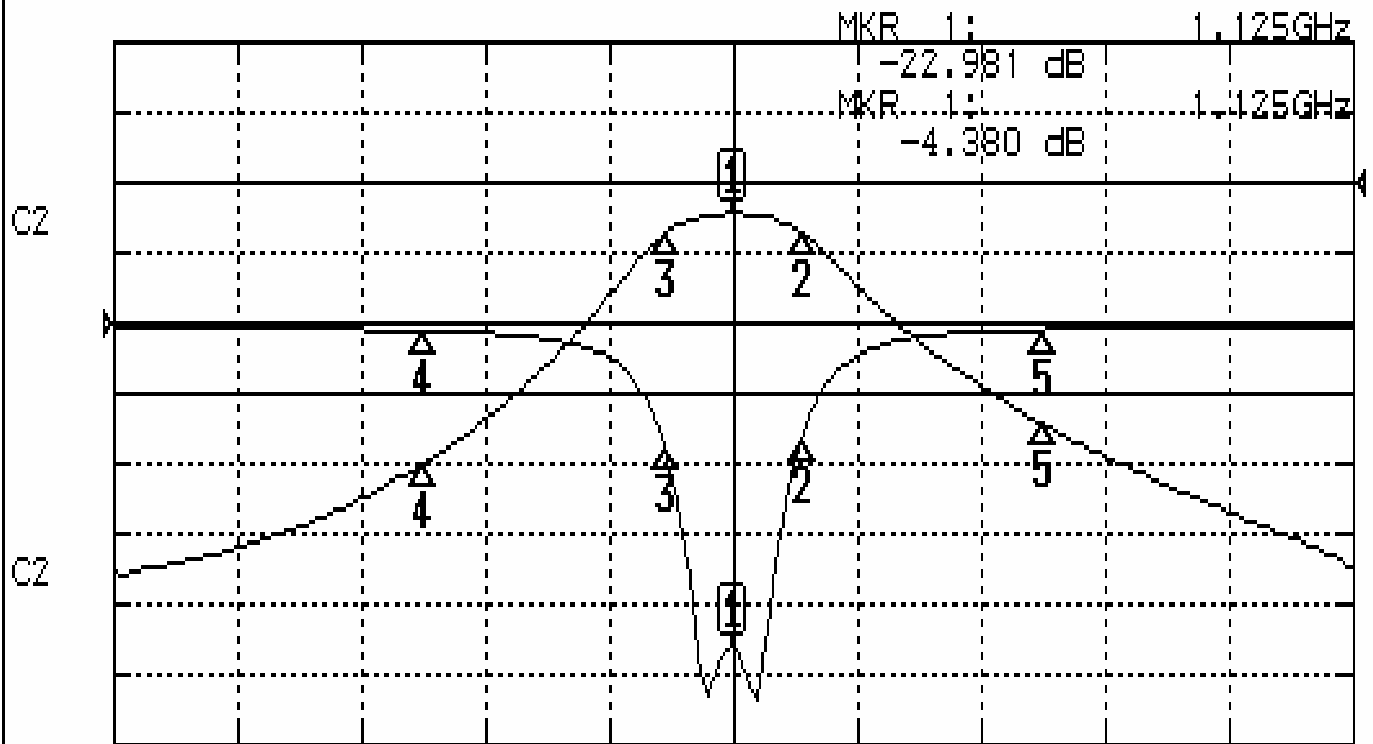
Approval	Supervisor	Designer	Aperture size
C.Y.Chang	C.K.Chang	C.H.Yeh	5W3S(3.8*3.5)(3.44) 5HW02RB3

TEMWELL CORPORATION

Performance-TTW3655B-1125M

201407099CD

CH1 S11 LOG MAG REF 0.000 dB 5.000 dB/
CH2 S21 LOG MAG REF 0.000 dB 10.000 dB/



CENTER 1.125GHz

[10.00 dBm]

SPAN 200MHz

CH1 MARKER LIST

Marker	Freq (GHz)	Magnitude (dB)
1:	1.125 000	-22.964
2:	1.136 333	-7.943
3:	1.114 000	-8.862
4:	1.075 000	-0.534
5:	1.175 000	-0.442

CH2 MARKER LIST

Marker	Freq (GHz)	Magnitude (dB)
1:	1.125 000	-4.380
2:	1.136 333	-7.314
3:	1.114 000	-7.320
4:	1.075 000	-39.902
5:	1.175 000	-34.411