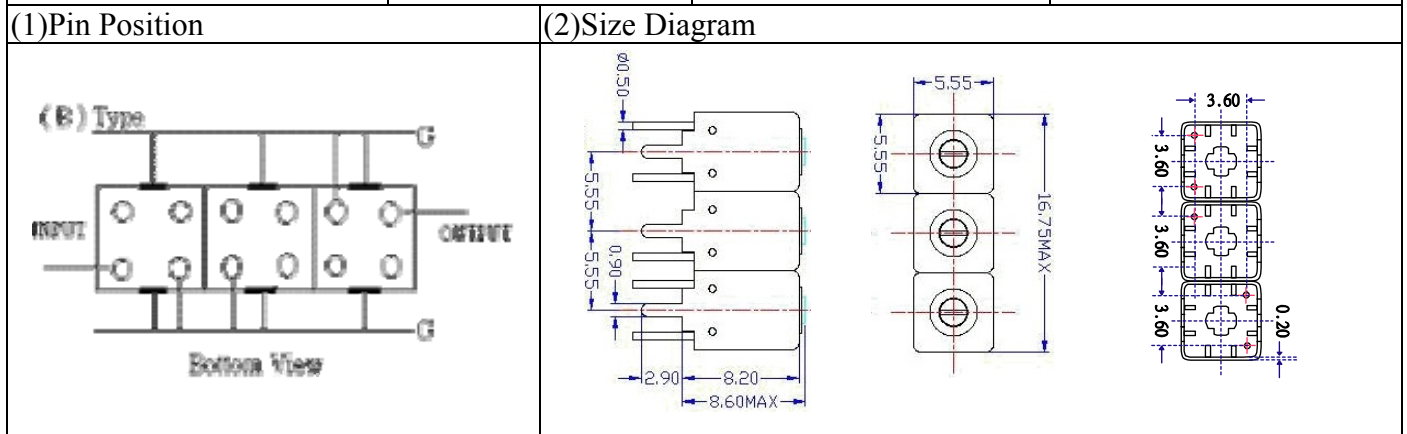


VHF UHF Helical Filter Specification Sheet

| | | | |
|----------------------|-------------|-----------------------|----------------|
| Customer Name | | Temwell's Part No. | TTW3654B-1025M |
| Approval No. /dated | 201407094CD | Temwell's Print Name. | 3654B 1025M |
| Work Instruction No. | 201407094CD | Date | Oct.23.2014 |



| (3) Electric Character | | Item | Specify | Performance |
|------------------------------|-------------|------|-----------------|-----------------|
| Center Freq.(Fo) +/- 0.5 % | | | 1025 MHz | 1025 MHz |
| Insertion Loss | | Typ. | 5.0 dB | 4.07 dB |
| -3 dB Bandwidth | | Typ. | 13 MHz | 20.6 MHz |
| Sensitivity (Attenuation) | Fo - 50 MHz | Typ. | 34 dBc | 38 dBc |
| | Fo + 50 MHz | Typ. | 26 dBc | 29 dBc |
| | Fo - ()MHz | Typ. | dBc | dBc |
| | Fo +()MHz | Typ. | dBc | dBc |
| Return Loss | | Min. | 12 dB | 21.2 dB |
| Ripple | | | < 1 dB | dB |
| Impedance | | | In / Out : 50 Ω | In / Out : 50 Ω |

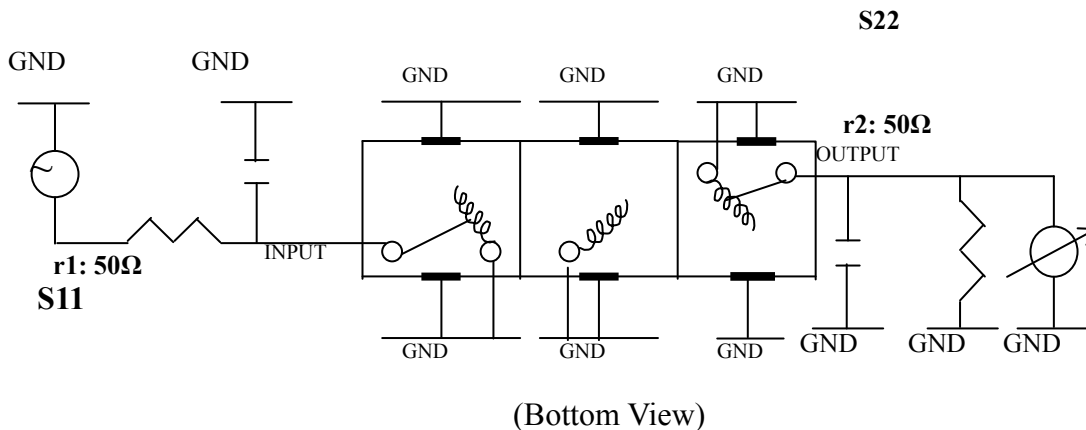
(4) Torque for Tuning Screw > 60gf · cm

(5) Temperature Condition:

| | |
|-----------------------|---------------|
| Operating Temperature | 0°C ~ +60°C |
| Storage Temperature | -20°C ~ +70°C |

(6) Input Power > 0.5Watt

(7) Measuring Circuit: ※Easy to match Impedance S11/S22 50Ω by parallel with about(--) / (--).

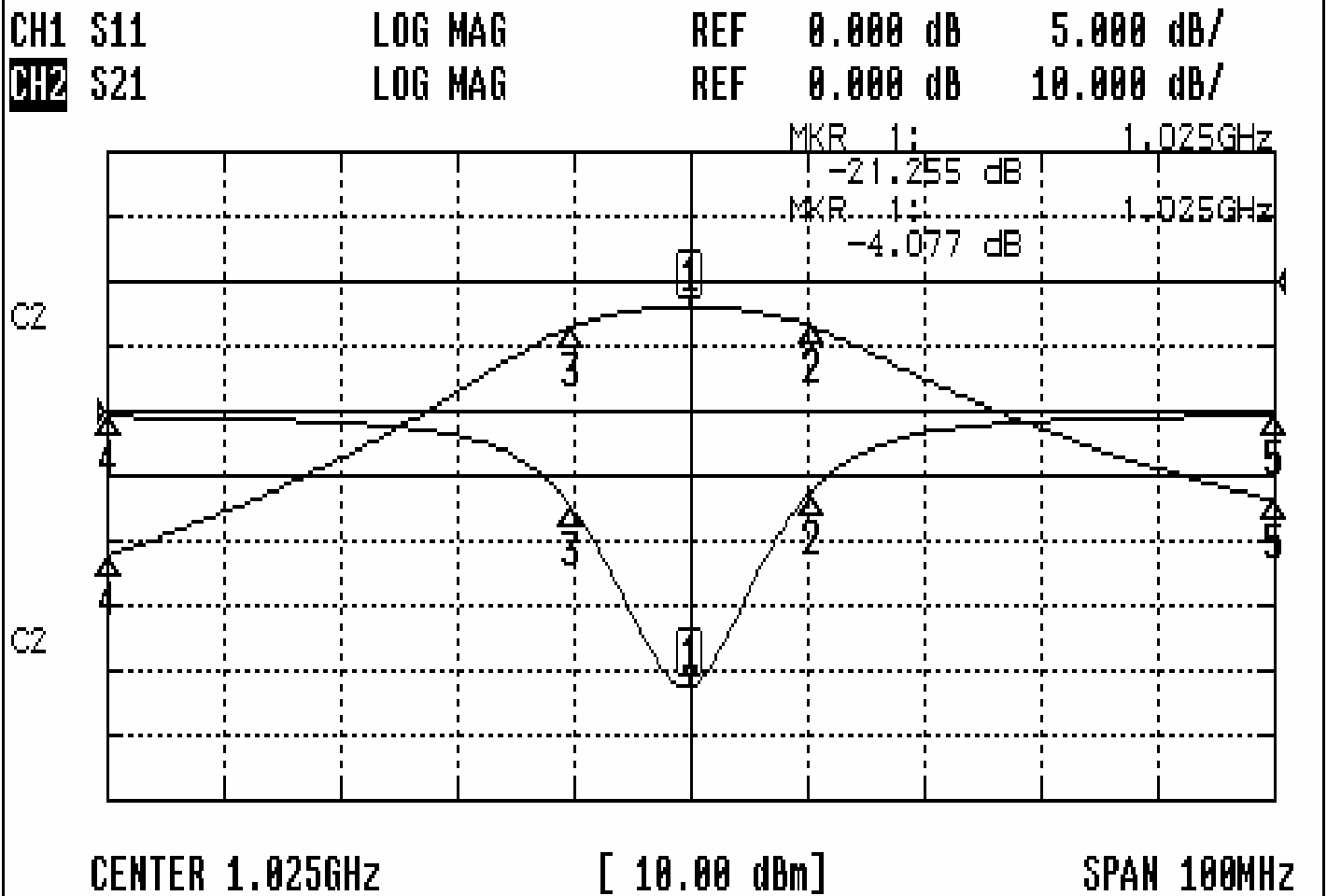


| | | | |
|-----------|------------|----------|---------------------------------|
| Approval | Supervisor | Designer | Aperture size |
| C.Y.Chang | C.K.Chang | J.Yang | 5W3S(3.8*3.5)(3.58) 5HW02RB3 |

TEMWELL CORPORATION

Performance-TTW3654B-1025M

201407094CD



CH1 MARKER LIST

| Marker | Frequency | Magnitude |
|--------|--------------|------------|
| 1 | 1.025 000GHz | -21.246 dB |
| 2 | 1.035 416GHz | -6.171 dB |
| 3 | 1.014 750GHz | -7.309 dB |
| 4 | 975.000MHz | -0.414 dB |
| 5 | 1.075 000GHz | -0.348 dB |

CH2 MARKER LIST

| Marker | Frequency | Magnitude |
|--------|--------------|------------|
| 1 | 1.025 000GHz | -4.077 dB |
| 2 | 1.035 416GHz | -7.027 dB |
| 3 | 1.014 750GHz | -7.034 dB |
| 4 | 975.000MHz | -42.221 dB |
| 5 | 1.075 000GHz | -33.727 dB |