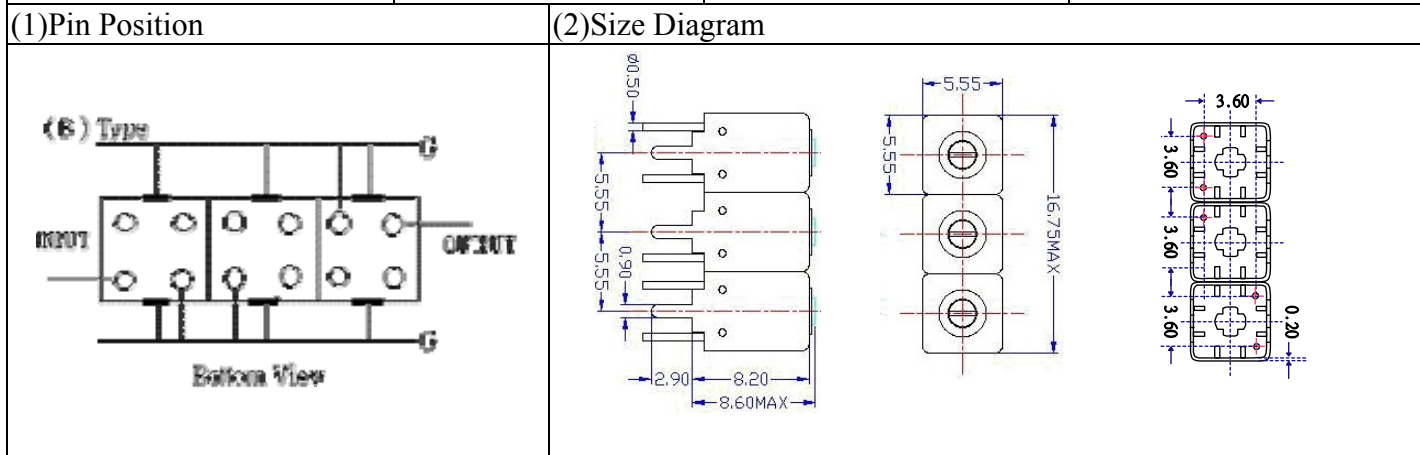


# VHF UHF Helical Filter Specification Sheet

|                      |             |                       |                |
|----------------------|-------------|-----------------------|----------------|
| Customer Name        |             | Temwell's Part No.    | TTW3649B-1125M |
| Approval No. /dated  | 201407098CD | Temwell's Print Name. | 3649B<br>1125M |
| Work Instruction No. | 201407098CD | Date                  | Dec.11.2014    |



### (3) Electric Character

| Item                         | Specify         | Performance     |
|------------------------------|-----------------|-----------------|
| Center Freq.(Fo) +/- 0.5 %   | 1125 MHz        | 1125 MHz        |
| Insertion Loss               | Typ. 6.5 dB     | 4.67 dB         |
| -3 dB Bandwidth              | Typ. 7 MHz      | 19.2 MHz        |
| Sensitivity<br>(Attenuation) | Fo - 50 MHz     | Typ. 33 dB      |
|                              | Fo + 50 MHz     | Typ. 25 dBc     |
|                              | Fo - ( )MHz     | Typ. dBc        |
|                              | Fo +( )MHz      | Typ. dBc        |
| Return Loss                  | Min. 12 dB      | 36.9 dB         |
| Ripple                       | < 1 dB          | dB              |
| Impedance                    | In / Out : 50 Ω | In / Out : 50 Ω |
| (4) Torque for Tuning Screw  | > 60gf • cm     |                 |

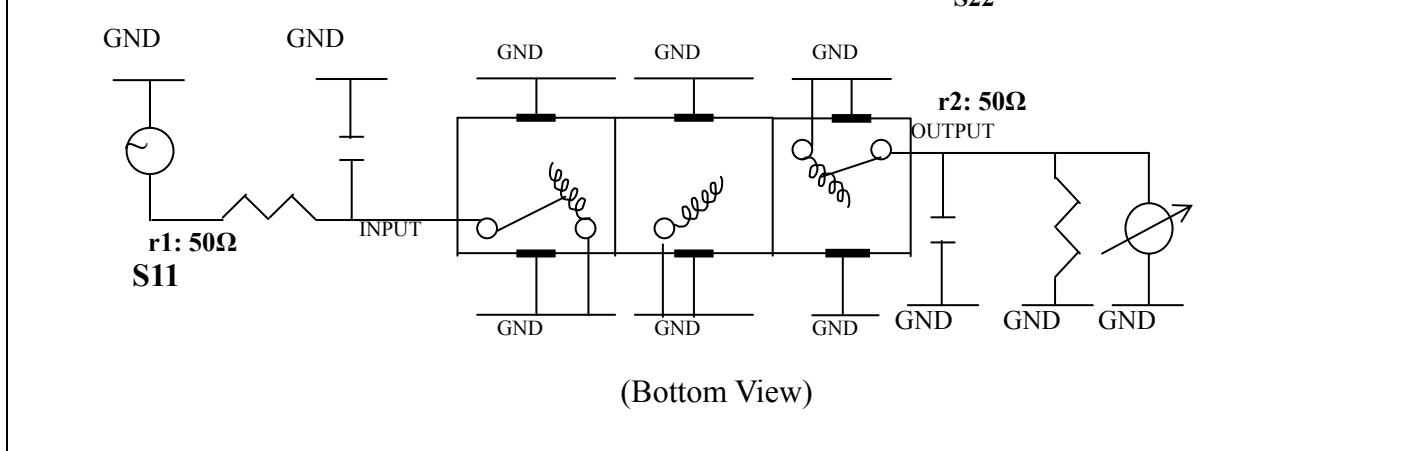
### (5) Temperature Condition:

|                       |               |
|-----------------------|---------------|
| Operating Temperature | 0°C ~ +60°C   |
| Storage Temperature   | -20°C ~ +70°C |

### (6) Input Power

> 0.5Watt

### (7) Measuring Circuit: ※Easy to match Impedance S11/S22 50Ω by parallel with about( -- ).



|           |            |          |                                  |
|-----------|------------|----------|----------------------------------|
| Approval  | Supervisor | Designer | Aperture size                    |
| C.Y.Chang | C.K.Chang  | W.w.wang | 5W3S(3.8*3.5)(3.58)<br>5HW024RB3 |

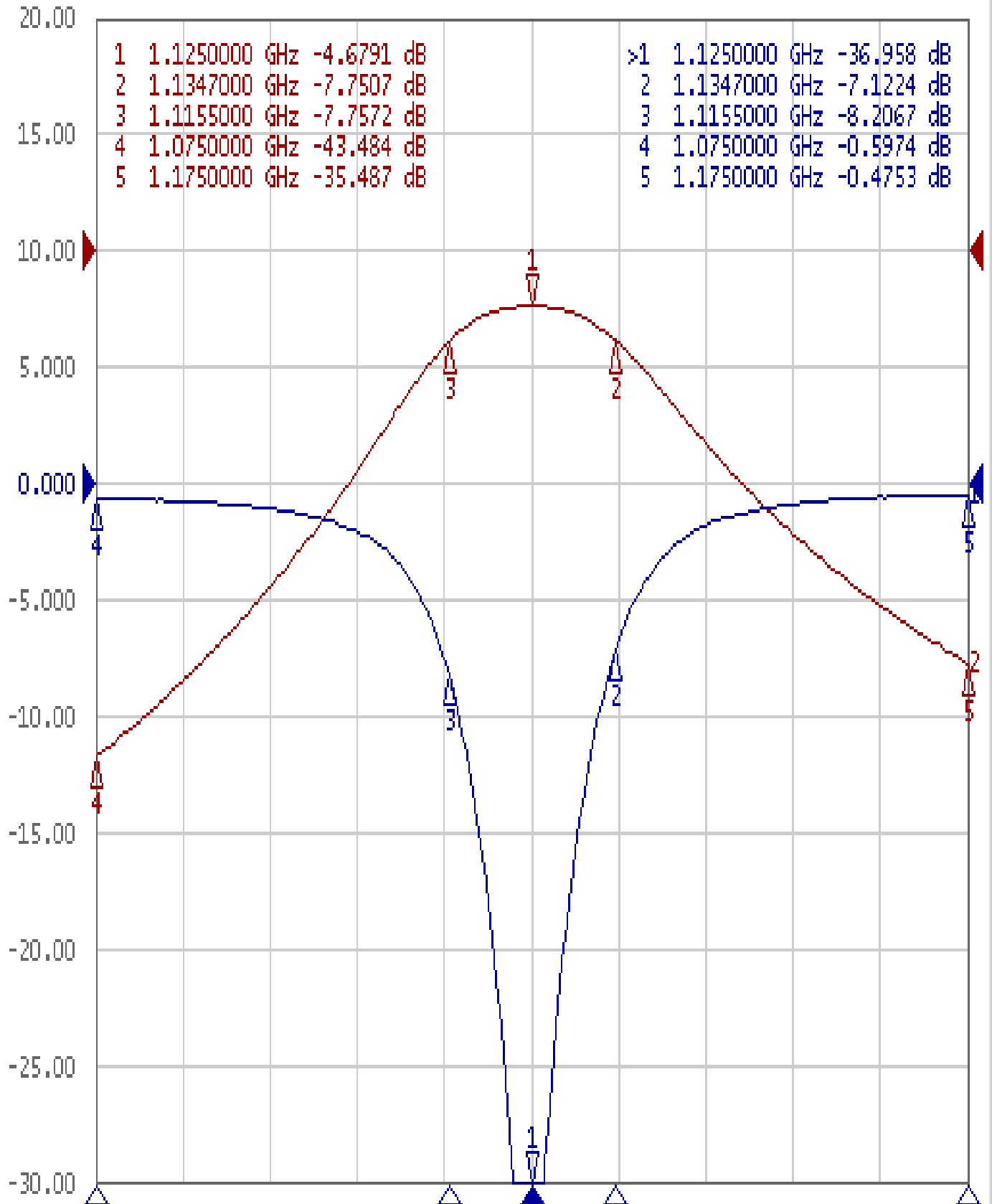
TEMWELL CORPORATION

# Performance-TTW3649B-1125M

## 201407098CD

▶ Tr1 S11 Log Mag 5.000dB/ Ref 0.000dB [F2]

Tr2 S21 Log Mag 10.00dB/ Ref 0.000dB [F2]



1 Center 1.125 GHz

IFBW 70 kHz

Span 100 MHz

Cor