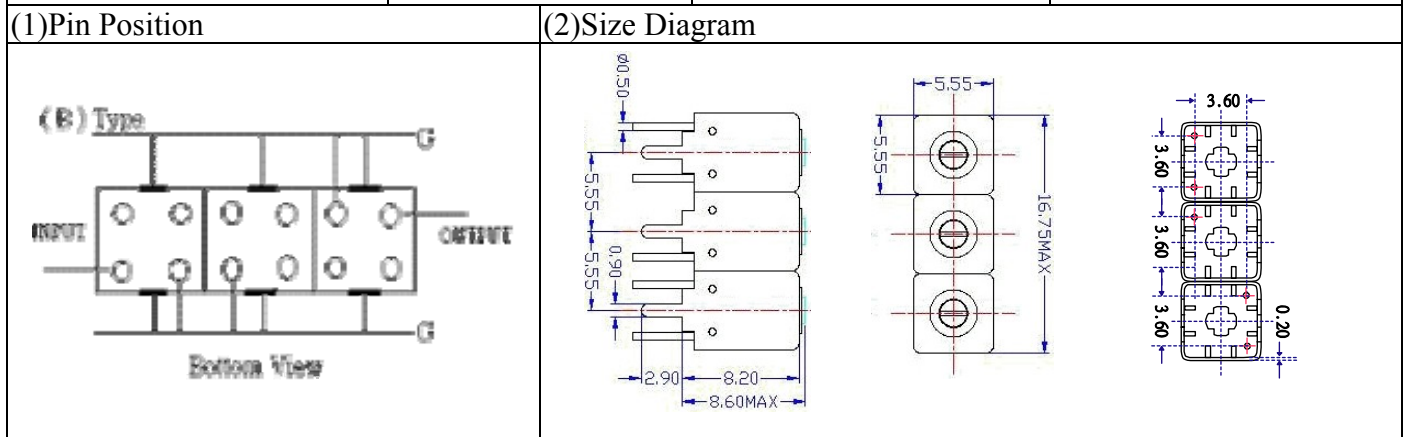
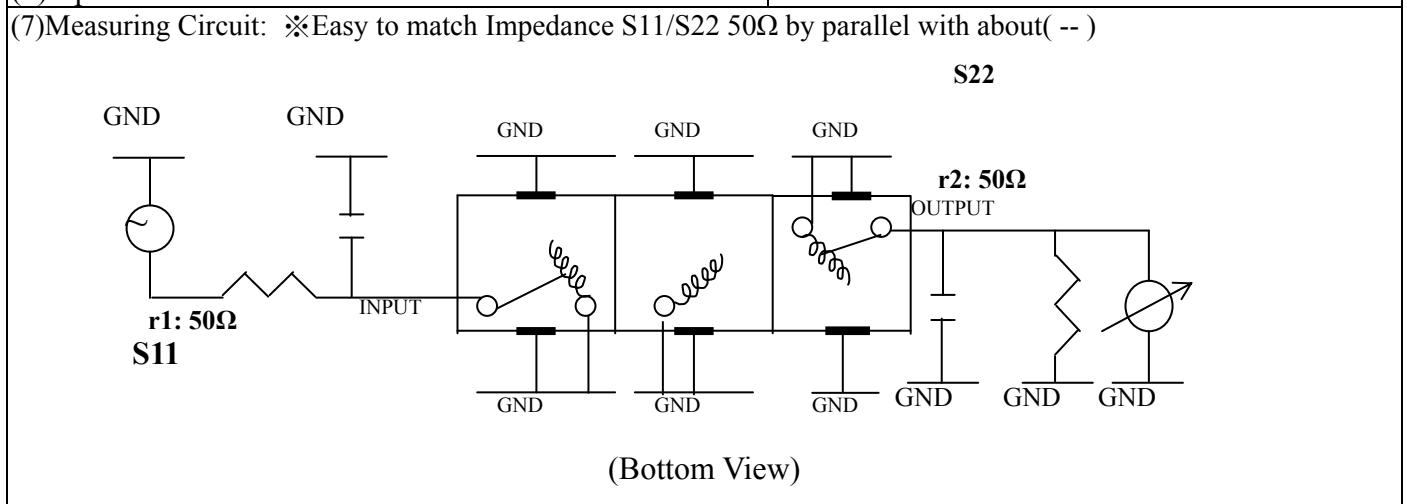


VHF UHF Helical Filter Specification Sheet

Customer Name		Temwell's Part No.	TTW3648B-1075M
Approval No. /dated	201407097CD	Temwell's Print Name.	3648B 1075M
Work Instruction No.	201407097CD	Date	Oct.23.2014



(3) Electric Character			
Item		Specify	Performance
Center Freq.(Fo) +/- 0.5 %		1075 MHz	1075 MHz
Insertion Loss		Typ. 6.0 dB	4.81 dB
-3 dB Bandwidth		Typ. 7 MHz	18.4 MHz
Sensitivity (Attenuation)	Fo - 50 MHz	Typ. 37 dBc	41 dBc
	Fo + 50 MHz	Typ. 28 dBc	32 dBc
	Fo - ()MHz	Typ. dBc	dBc
	Fo +()MHz	Typ. dBc	dBc
Return Loss		Min. 12 dB	39.8 dB
Ripple		< 1 dB	dB
Impedance		In / Out : 50 Ω	In / Out : 50 Ω
(4) Torque for Tuning Screw		> 60gf · cm	
(5) Temperature Condition:			
Operating Temperature		0°C ~ +60°C	
Storage Temperature		-20°C ~ +70°C	
(6) Input Power		> 0.5Watt	



Approval C.Y.Chang	Supervisor C.K.Chang	Designer W.w.wang	Aperture size 5W3S(3.8*3.5)(3.58) 5HW024RB3
-----------------------	-------------------------	----------------------	---

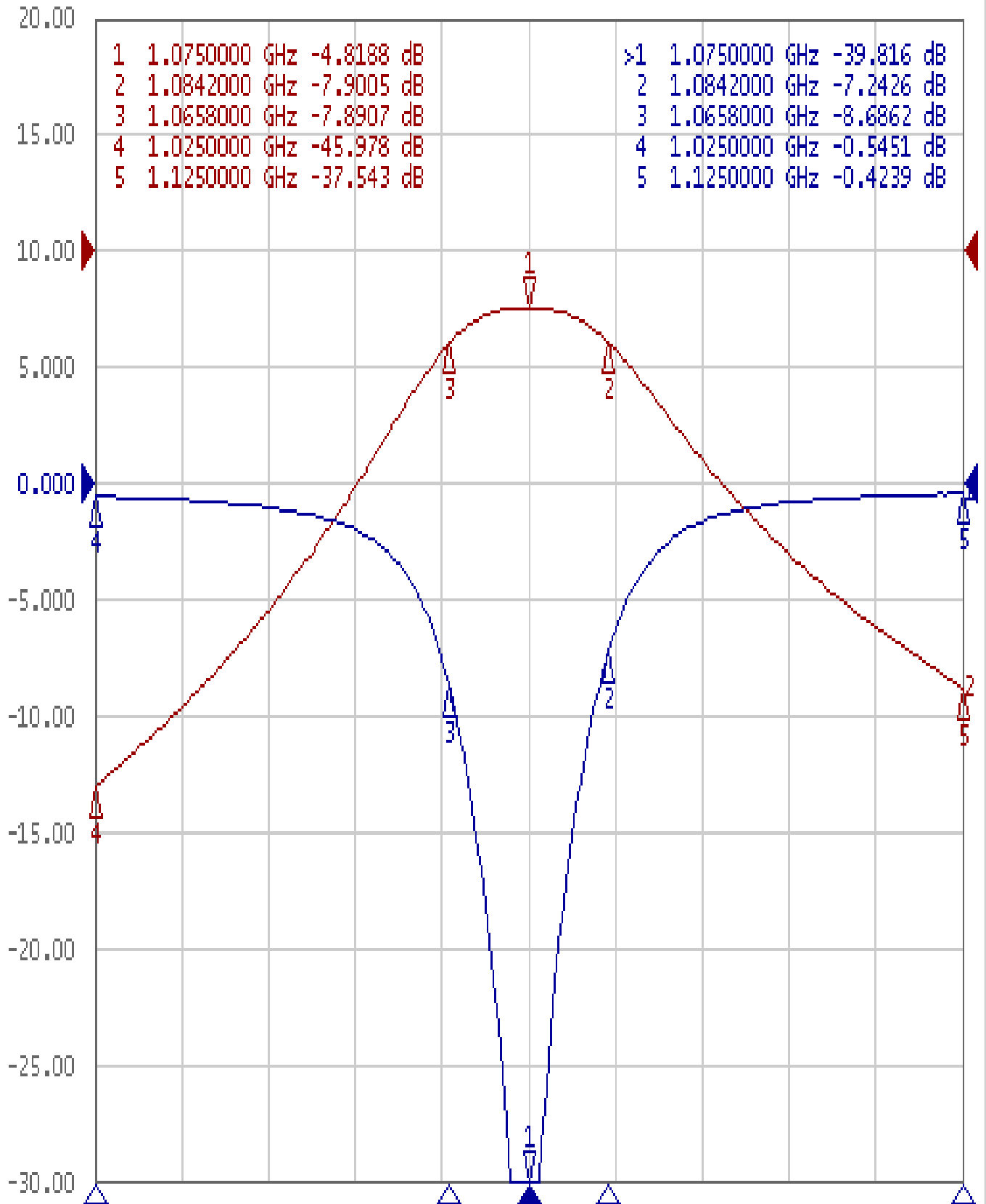
TEMWELL CORPORATION

Performance-TTW3648B-1075M

201407097CD

Tr1 S11 Log Mag 5.000dB/ Ref 0.000dB [F2]

Tr2 S21 Log Mag 10.00dB/ Ref 0.000dB [F2]



1 Center 1.075 GHz

IFBW 70 kHz

Span 100 MHz Cor !