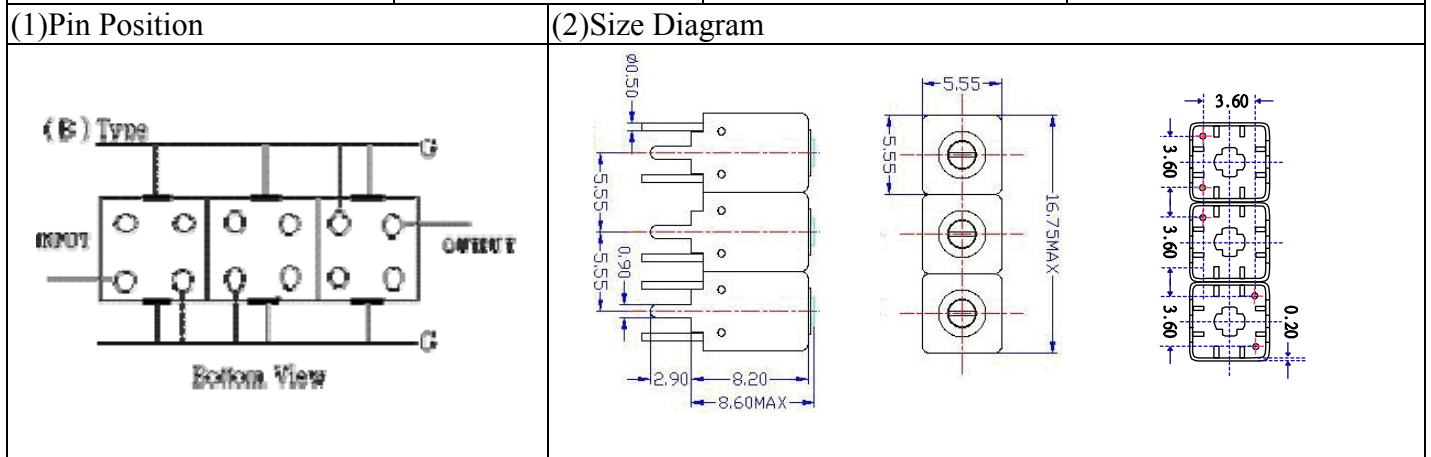


VHF UHF Helical Filter Specification Sheet

Customer Name		Temwell's Part No.	TTW3647B-1025M
Approval No. /dated	201407093CD	Temwell's Print Name.	3647B 1025M
Work Instruction No.	201407093CD	Date	Dec.02.2014



(3) Electric Character

Item	Specify	Performance
Center Freq.(Fo) +/- 0.5 %	1025 MHz	1025 MHz
Insertion Loss	Typ. 6.0 dB	4.64 dB
-3 dB Bandwidth	Typ. 7 MHz	19.1 MHz
Sensitivity (Attenuation)	Fo - 50 MHz	Typ. 37 dBc
	Fo + 50 MHz	Typ. 30 dBc
	Fo - ()MHz	Typ. dBc
	Fo +()MHz	Typ. dBc
Return Loss	Min. 12 dB	22.5 dB
Ripple	< 1 dB	dB
Impedance	In / Out : 50 Ω	In / Out : 50 Ω
(4) Torque for Tuning Screw	> 60gf · cm	

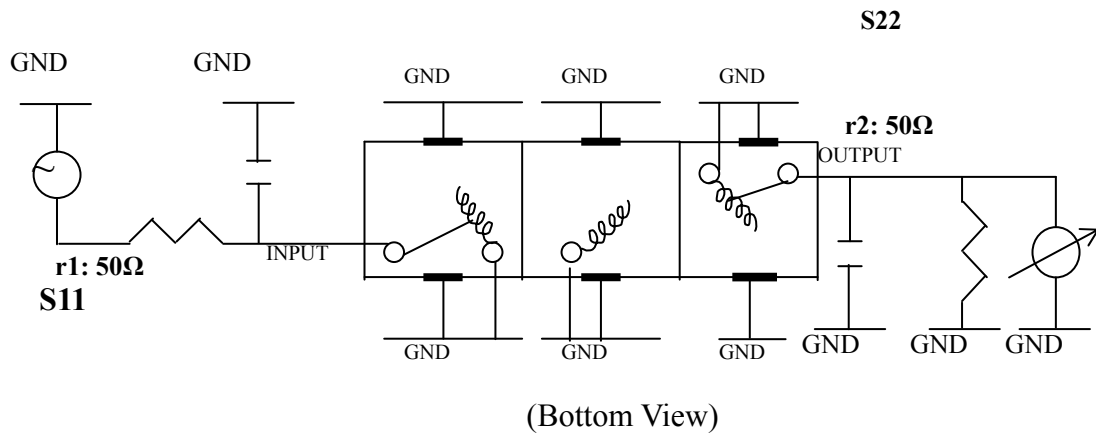
(5) Temperature Condition:

Operating Temperature	0°C ~ +60°C
Storage Temperature	-20°C ~ +70°C

(6) Input Power

> 0.5Watt

(7) Measuring Circuit: ※Easy to match Impedance S11/S22 50Ω by parallel with about(--) / (--).

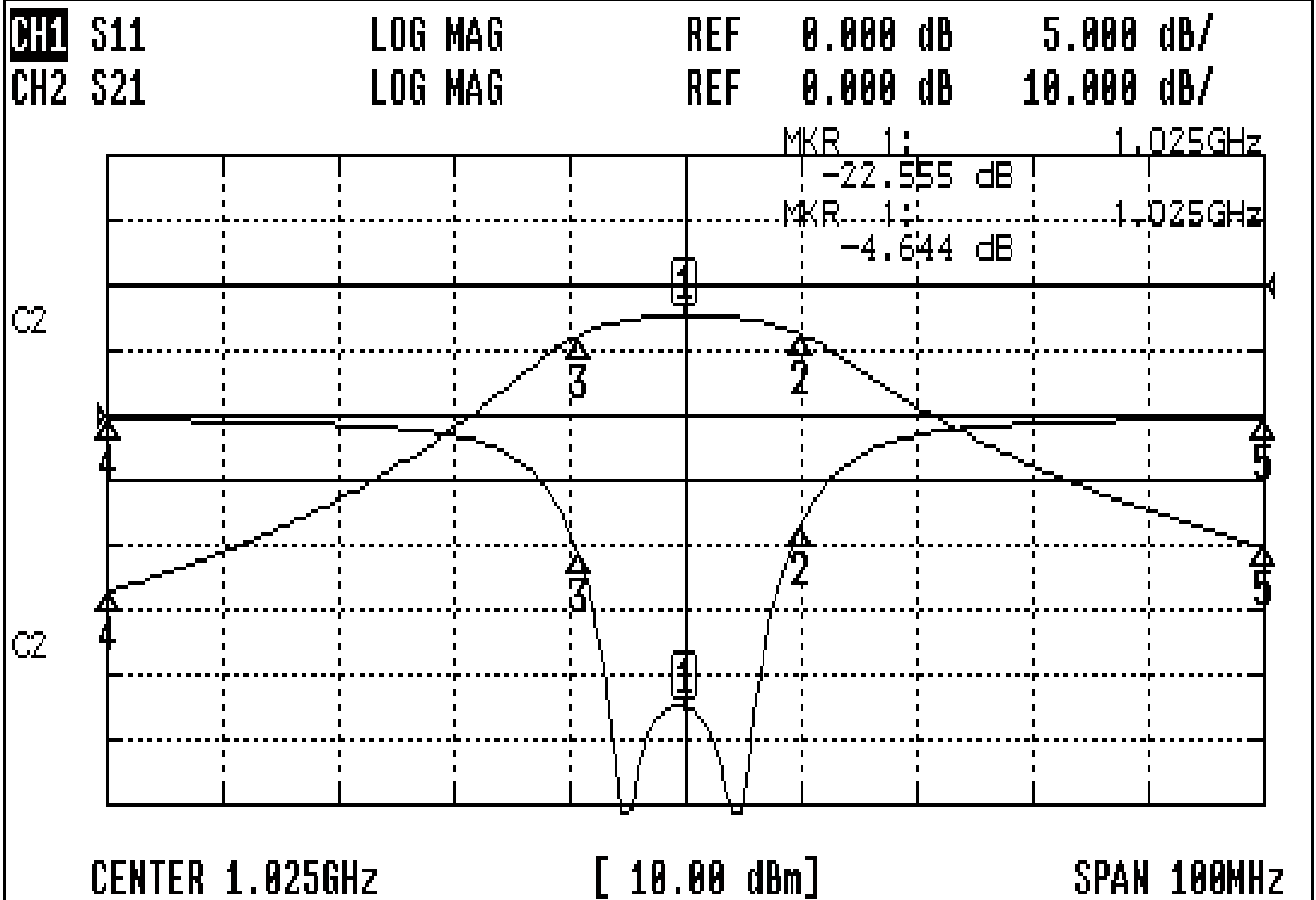


Approval	Supervisor	Designer	Aperture size
C.Y.Chang	C.K.Chang	J.Yang	5W3S(3.8*3.5)(3.58) 5HW024RB3

TEMWELL CORPORATION

Performance-TTW3647B-1025M

201407093CD



CH1 MARKER LIST

Marker	Frequency	Magnitude
1	1.025 000GHz	-22.547 dB
2	1.035 000GHz	-8.553 dB
3	1.015 833GHz	-10.797 dB
4	975.000MHz	-0.367 dB
5	1.075 000GHz	-0.297 dB

CH2 MARKER LIST

Marker	Frequency	Magnitude
1	1.025 000GHz	-4.645 dB
2	1.035 000GHz	-7.623 dB
3	1.015 833GHz	-7.638 dB
4	975.000MHz	-47.238 dB
5	1.075 000GHz	-40.219 dB