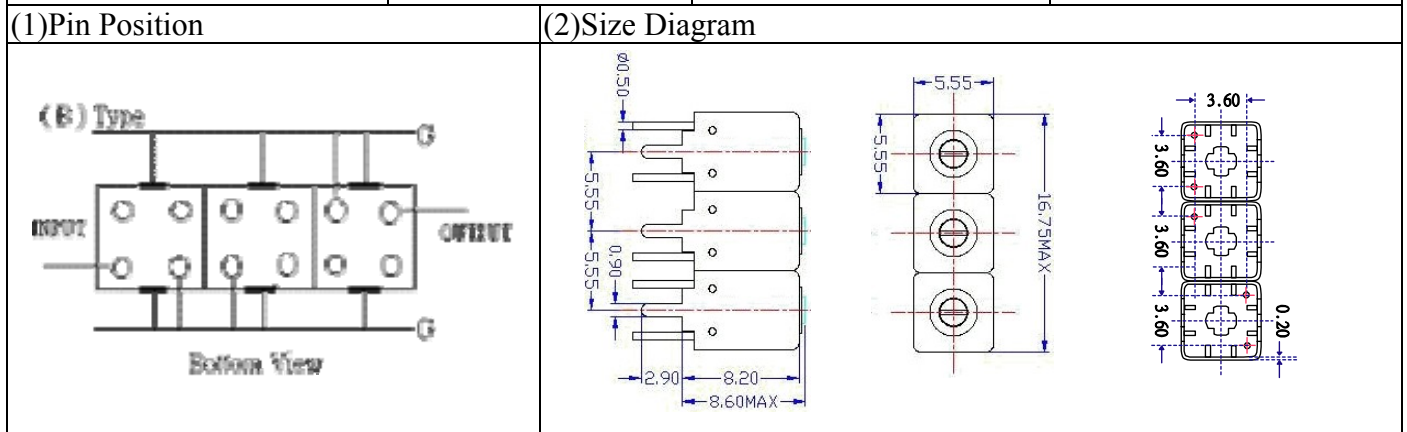


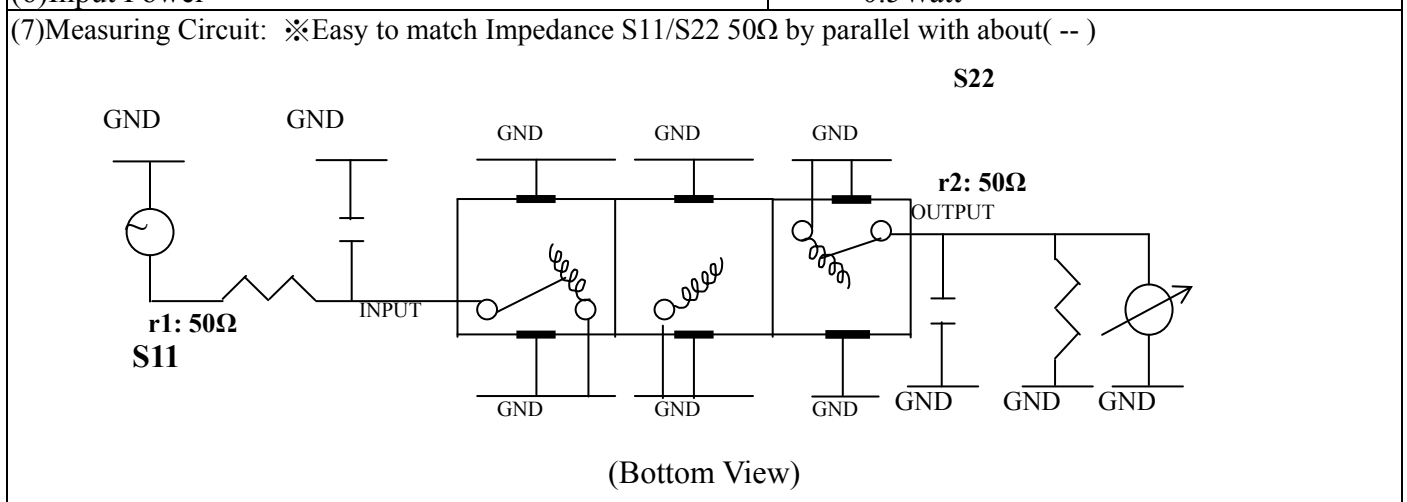
VHF UHF Helical Filter Specification Sheet

Customer Name		Temwell's Part No.	TTW3632B-2450M
Approval No. /dated	201407157CD	Temwell's Print Name.	3632B 2450M
Work Instruction No.	201407157CD	Date	Jan.16.2015



(3) Electric Character			
Item		Specify	Performance
Center Freq.(Fo) +/- 0.5 %		2450 MHz	2450 MHz
Insertion Loss		Typ. 2.5 dB	1.62 dB
-3 dB Bandwidth		Typ. 146 MHz	163.8 MHz
Sensitivity (Attenuation)	Fo - 300 MHz	Typ. 37 dBc	42 dBc
	Fo + 300 MHz	Typ. 22 dBc	27 dBc
	Fo - ()MHz	Typ. dBc	dBc
	Fo +()MHz	Typ. dBc	dBc
Return Loss		Min. 12 dB	26.5 dB
Ripple		< 1 dB	dB
Impedance		In / Out : 50 Ω	In / Out : 50 Ω
(4) Torque for Tuning Screw		> 60gf · cm	

(5) Temperature Condition:	
Operating Temperature	0°C ~ +60°C
Storage Temperature	-20°C ~ +70°C
(6) Input Power	> 0.5Watt



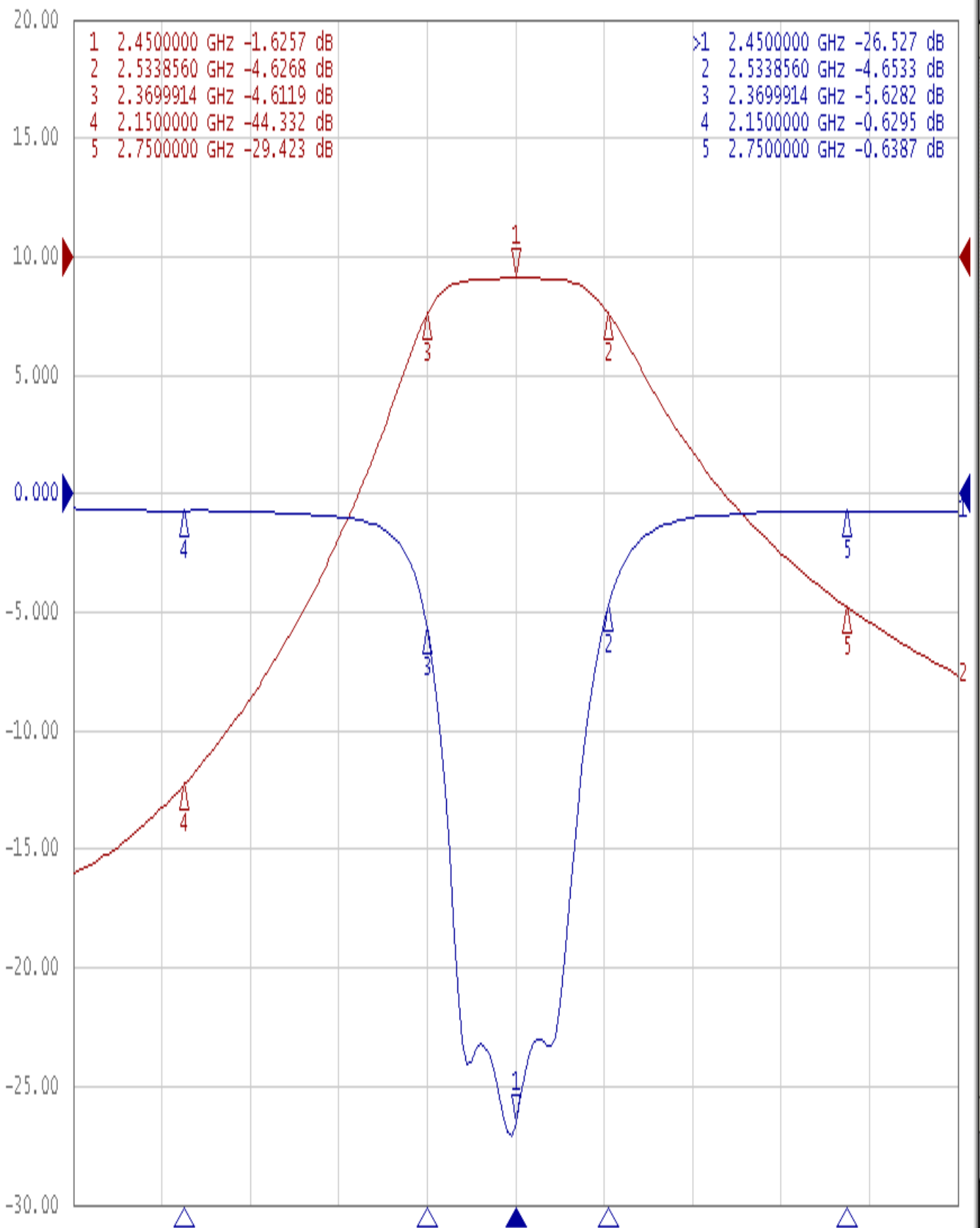
Approval	Supervisor	Designer	Aperture size
C.Y.Chang	C.K.Chang	C.S.Chang	5W3S(3.8*5.1)(5.12) 5HW046RB3.2(J1)

TEMWELL CORPORATION

Performance-TTW3632B-2450M

201407157CD

Tr1 S11 Log Mag 5.000dB/ Ref 0.000dB [F2]
Tr2 S21 Log Mag 10.00dB/ Ref 0.000dB [F2]



1 Center 2.45 GHz

IFBW 10 kHz

Span 800 MHz Cor |