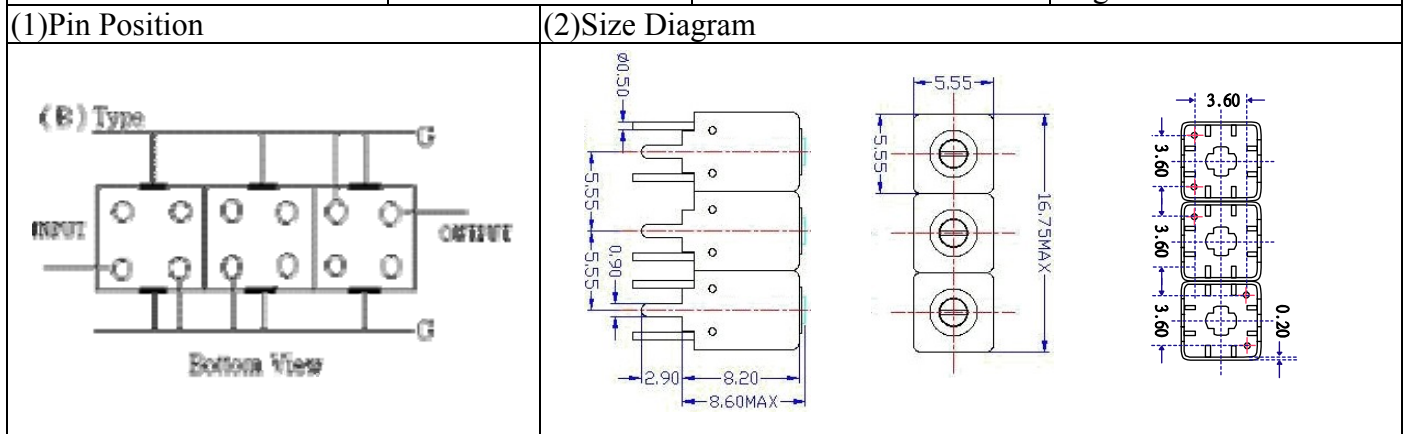


VHF UHF Helical Filter Specification Sheet

Customer Name		Temwell's Part No.	TTW3619B-2593M
Approval No. /dated	201407052CD	Temwell's Print Name.	3619B 2593M
Work Instruction No.	201407052CD	Date	Aug.13.2014



(3) Electric Character			
Item		Specify	Performance
Center Freq.(Fo) +/- 0.5 %		2593 MHz	2593 MHz
Insertion Loss		Typ. 3.0 dB	2.04 dB
-3 dB Bandwidth		Typ. 187 MHz	193.4 MHz
Sensitivity (Attenuation)	Fo - 200 MHz	Typ. 24 dBc	29 dBc
	Fo + 200 MHz	Typ. 15 dBc	20 dBc
	Fo - ()MHz	Typ. dBc	dBc
	Fo +()MHz	Typ. dBc	dBc
Return Loss		Min. 12 dB	16.1 dB
Ripple		< 1 dB	dB
Impedance		In / Out : 50 Ω	In / Out : 50 Ω

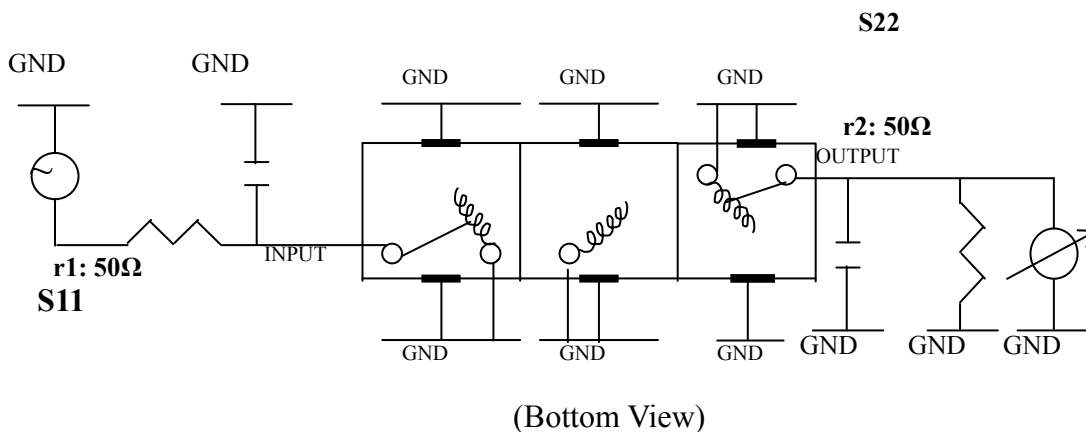
(4) Torque for Tuning Screw > 60gf · cm

(5) Temperature Condition:

Operating Temperature	0°C ~ +60°C
Storage Temperature	-20°C ~ +70°C

(6) Input Power > 0.5Watt

(7) Measuring Circuit: ※Easy to match Impedance S11/S22 50Ω by parallel with about(--)



Approval	Supervisor	Designer	Aperture size
C.Y.Chang	C.K.Chang	P.H.Chiang	5W3S(3.8*4.5)(4.53) 5HW046RB3.2(J1)

TEMWELL CORPORATION

Performance-TTW3619B-2593M

201407052CD

Tr1 S11 Log Mag 5.000dB/ Ref 0.000dB [F2]
Tr2 S21 Log Mag 10.00dB/ Ref 0.000dB [F2]

