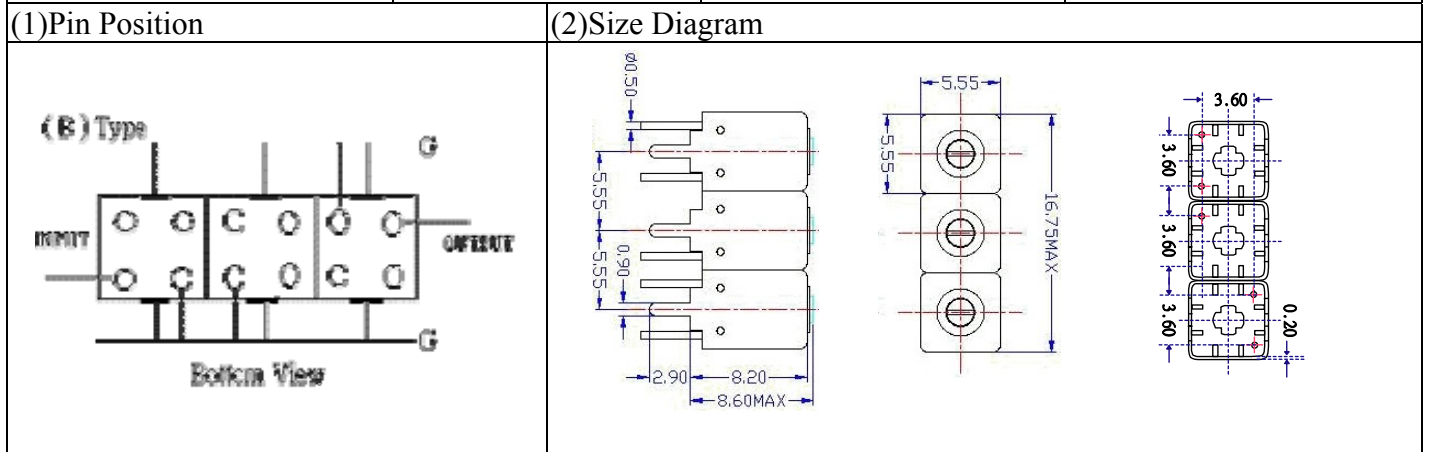
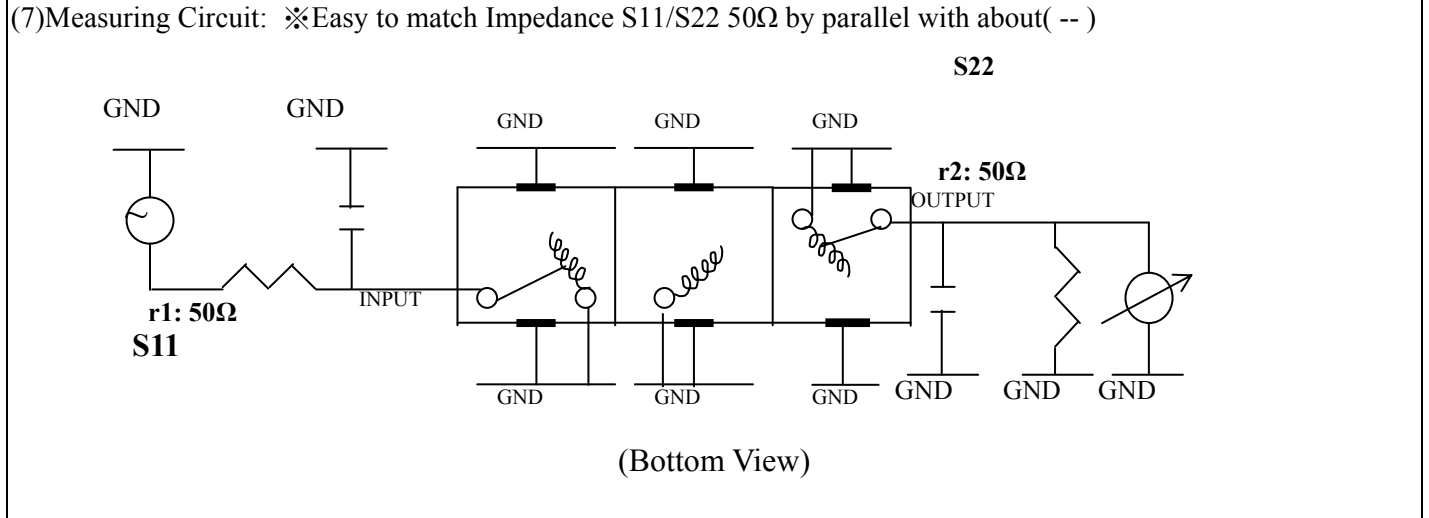


# VHF UHF Helical Filter Specification Sheet

Customer Name		Temwell's Part No.	TTW3612B-2325M
Approval No. /dated	201407060CD	Temwell's Print Name.	3612B 2325M
Work Instruction No.	201407060CD	Date	Jan.21.2015



(3) Electric Character			
Item		Specify	Performance
Center Freq.(Fo) +/- 0.5 %		2325 MHz	2325 MHz
Insertion Loss		Typ. 3.5 dB	2.86 dB
-3 dB Bandwidth		Typ. 48 MHz	69.8 MHz
Sensitivity (Attenuation)	Fo - 150 MHz	Typ. 32 dBc	37 dBc
	Fo + 150 MHz	Typ. 24 dBc	29 dBc
	Fo - ( )MHz	Typ. dBc	dBc
	Fo + ( )MHz	Typ. dBc	dBc
Return Loss		Min. 12 dB	47.3 dB
Ripple		< 1 dB	dB
Impedance		In / Out : 50 Ω	In / Out : 50 Ω
(4) Torque for Tuning Screw		> 60gf · cm	
(5) Temperature Condition:			
Operating Temperature		0°C ~ +60°C	
Storage Temperature		-20°C ~ +70°C	
(6) Input Power		> 0.5Watt	



Approval C.Y.Chang	Supervisor C.K.Chang	Designer C.S.Chang	Aperture size 5W3S(3.8*3.5)(3.56) 5HW046RB3.2(J1)
-----------------------	-------------------------	-----------------------	---

# Performance-TTW3612B-2325M

## 201407060CD

