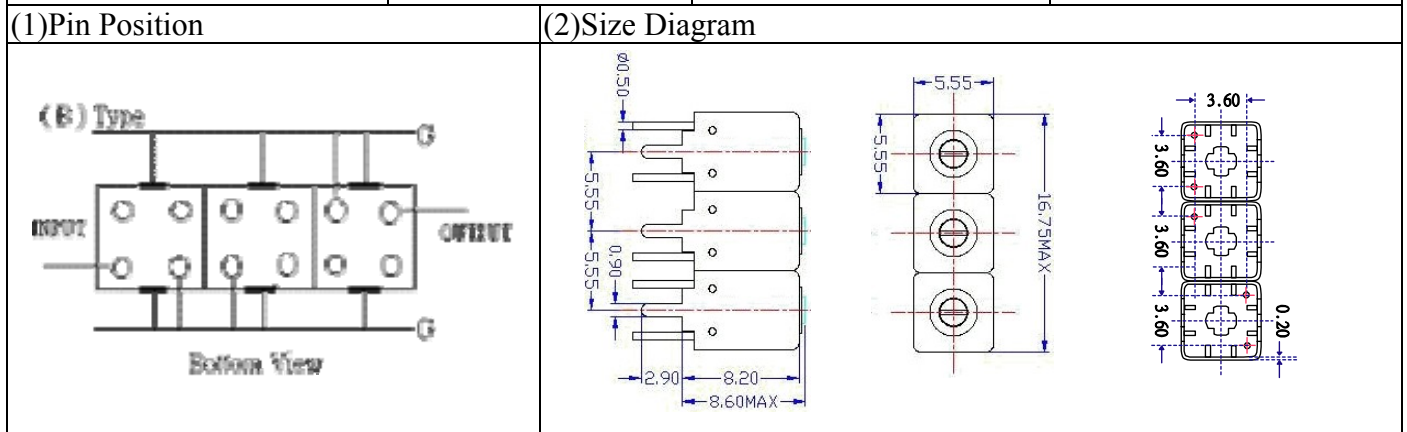


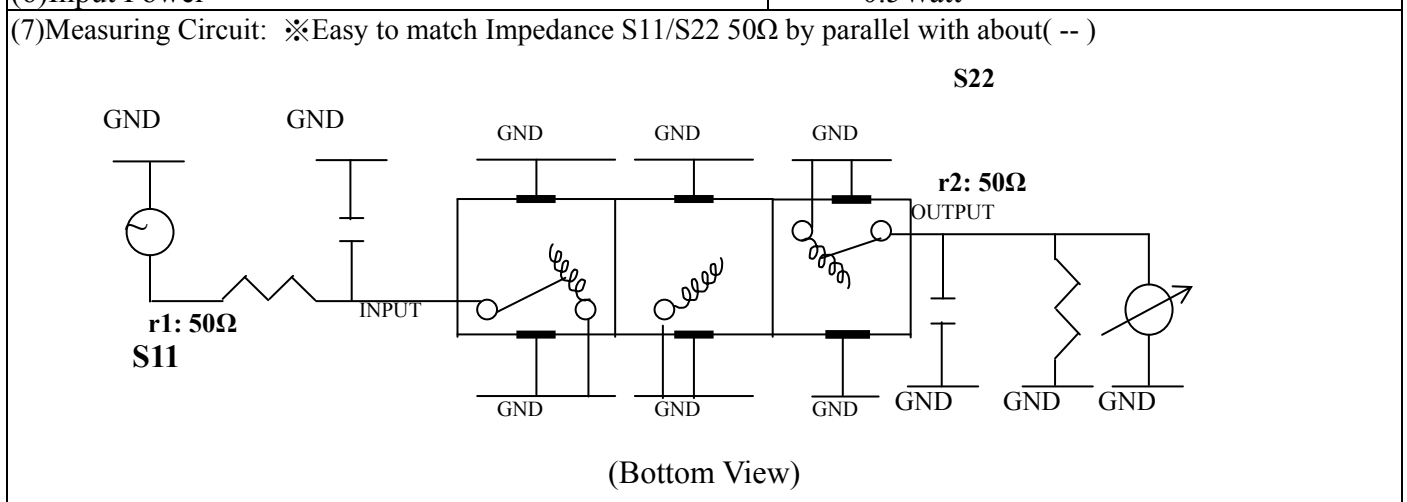
VHF UHF Helical Filter Specification Sheet

Customer Name		Temwell's Part No.	TTW3611B-1950M
Approval No. /dated	201407076CD	Temwell's Print Name.	3611B 1950M
Work Instruction No.	201407076CD	Date	Oct.31.2014



(3) Electric Character					
Item		Specify		Performance	
Center Freq.(Fo) +/- 0.5 %		1950 MHz		1950 MHz	
Insertion Loss		Typ. 3.0 dB		2.11 dB	
-3 dB Bandwidth		Typ. 77 MHz		86.1 MHz	
Sensitivity (Attenuation)	Fo - 150 MHz	Typ. 30 dBc		33 dBc	
	Fo + 150 MHz	Typ. 20 dBc		23 dBc	
	Fo - ()MHz	Typ. dBc		dBc	
	Fo +()MHz	Typ. dBc		dBc	
Return Loss		Min. 12 dB		25.5 dB	
Ripple		< 1 dB		dB	
Impedance		In / Out : 50 Ω		In / Out : 50 Ω	
(4) Torque for Tuning Screw		> 60gf · cm			

(5) Temperature Condition:	
Operating Temperature	0°C ~ +60°C
Storage Temperature	-20°C ~ +70°C
(6) Input Power	> 0.5Watt



Approval	Supervisor	Designer	Aperture size
C.Y.Chang	C.K.Chang	C.S.Chang	5W3S(3.8*4.5)(4.56) 5HW046RB3.2

TEMWELL CORPORATION

Performance-TTW3611B-1950M

201407076CD

