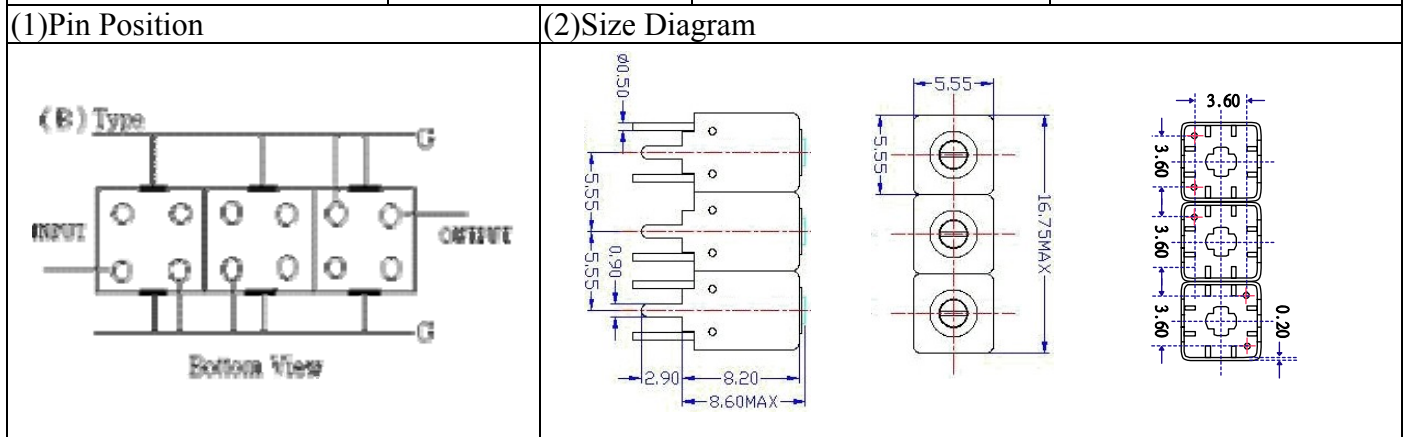
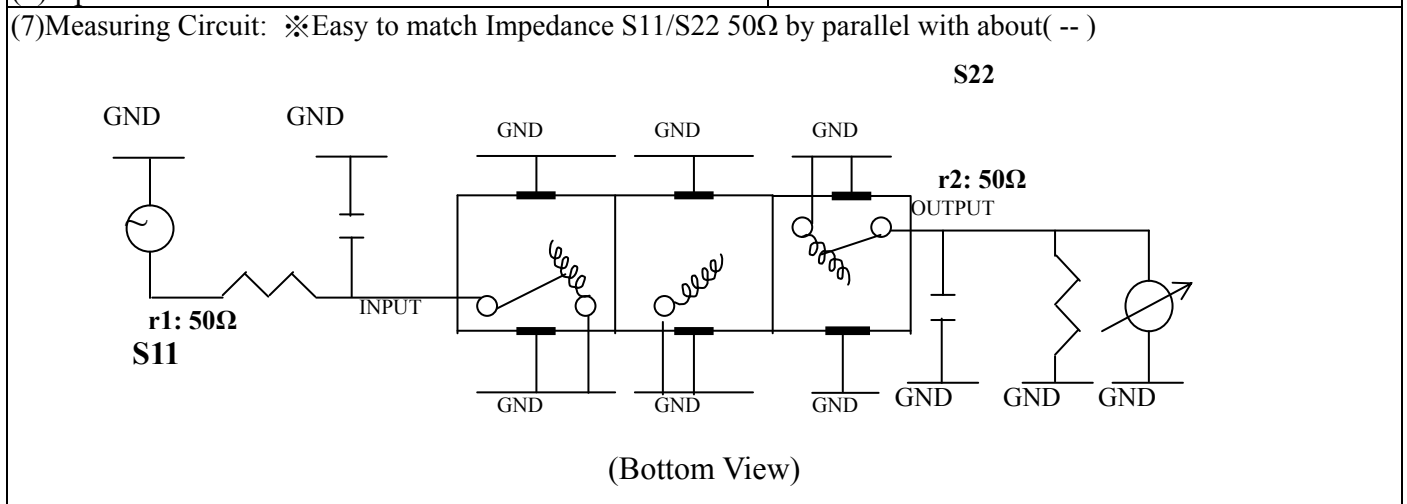


# VHF UHF Helical Filter Specification Sheet

Customer Name		Temwell's Part No.	TTW3610B-1950M
Approval No. /dated	201407079CD	Temwell's Print Name.	3610B 1950M
Work Instruction No.	201407079CD	Date	Oct.31.2014



(3) Electric Character					
Item		Specify		Performance	
Center Freq.(Fo) +/- 0.5 %		1950 MHz		1950 MHz	
Insertion Loss		Typ. 3.0 dB		2.30 dB	
-3 dB Bandwidth		Typ. 67 MHz		79.1 MHz	
Sensitivity (Attenuation)	Fo - 150 MHz	Typ. 34 dBc		39 dBc	
	Fo + 150 MHz	Typ. 23 dBc		28 dBc	
	Fo - ( )MHz	Typ. dBc		dBc	
	Fo +( )MHz	Typ. dBc		dBc	
Return Loss		Min. 12 dB		18.1 dB	
Ripple		< 1 dB		dB	
Impedance		In / Out : 50 Ω		In / Out : 50 Ω	
(4) Torque for Tuning Screw		> 60gf • cm			
(5) Temperature Condition:					
Operating Temperature		0°C ~ +60°C			
Storage Temperature		-20°C ~ +70°C			
(6) Input Power		> 0.5Watt			



Approval	Supervisor	Designer	Aperture size
C.Y.Chang	C.K.Chang	C.S.Chang	5W3S(3.8*4.0)(4.08) 5HW046RB3.2(J1)

TEMWELL CORPORATION

# Performance-TTW3610B-1950M

## 201407079CD

Tr1 S11 Log Mag 5.000dB/ Ref 0.000dB [F2]  
Tr2 S21 Log Mag 10.00dB/ Ref 0.000dB [F2]

