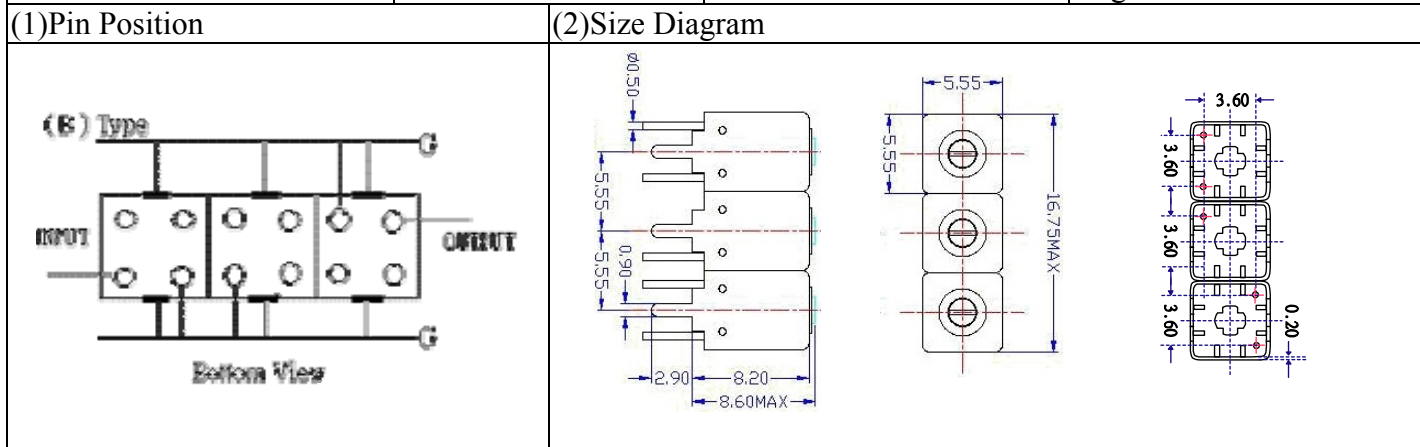


VHF UHF Helical Filter Specification Sheet

Customer Name		Temwell's Part No.	TTW3609B-1800M
Approval No. /dated	201407088CD	Temwell's Print Name.	3609B 1800M
Work Instruction No.	201407088CD	Date	Aug.15.2014



(3) Electric Character

Item	Specify	Performance
Center Freq.(Fo) +/- 0.5 %	1800 MHz	1800 MHz
Insertion Loss	Typ. 2.5 dB	1.58 dB
-3 dB Bandwidth	Typ. 105 MHz	117.3 MHz
Sensitivity (Attenuation)	Fo - 150 MHz	Typ. 28 dBc
	Fo + 150 MHz	Typ. 16 dBc
	Fo - ()MHz	Typ. dBc
	Fo +()MHz	Typ. dBc
Return Loss	Min. 12 dB	23.8 dB
Ripple	< 1 dB	dB
Impedance	In / Out : 50 Ω	In / Out : 50 Ω
(4) Torque for Tuning Screw	> 60gf • cm	

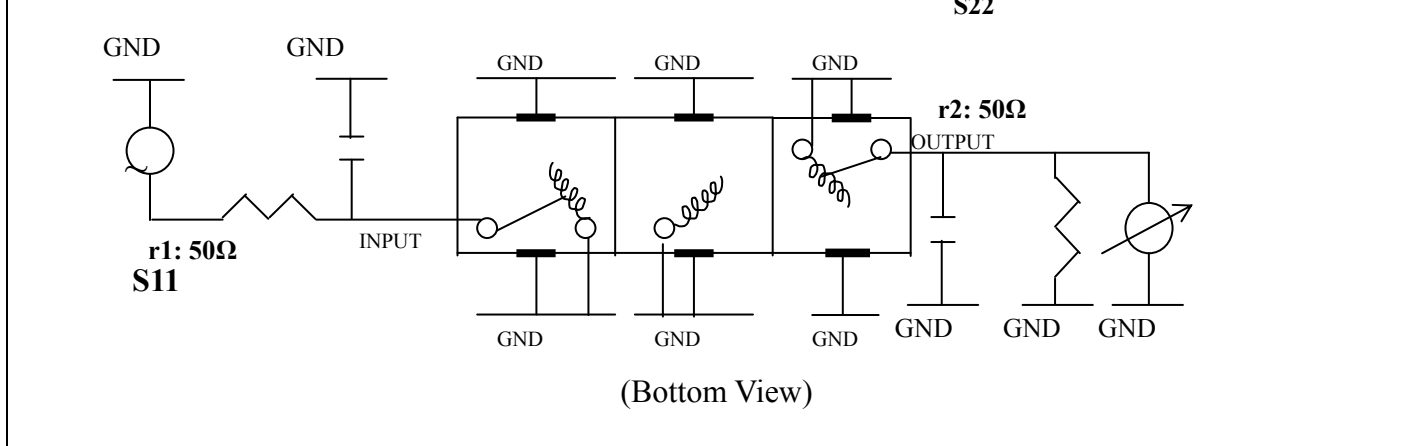
(5) Temperature Condition:

Operating Temperature	0°C ~ +60°C
Storage Temperature	-20°C ~ +70°C

(6) Input Power

> 0.5Watt

(7) Measuring Circuit: ※Easy to match Impedance S11/S22 50Ω by parallel with about(--) / (--).

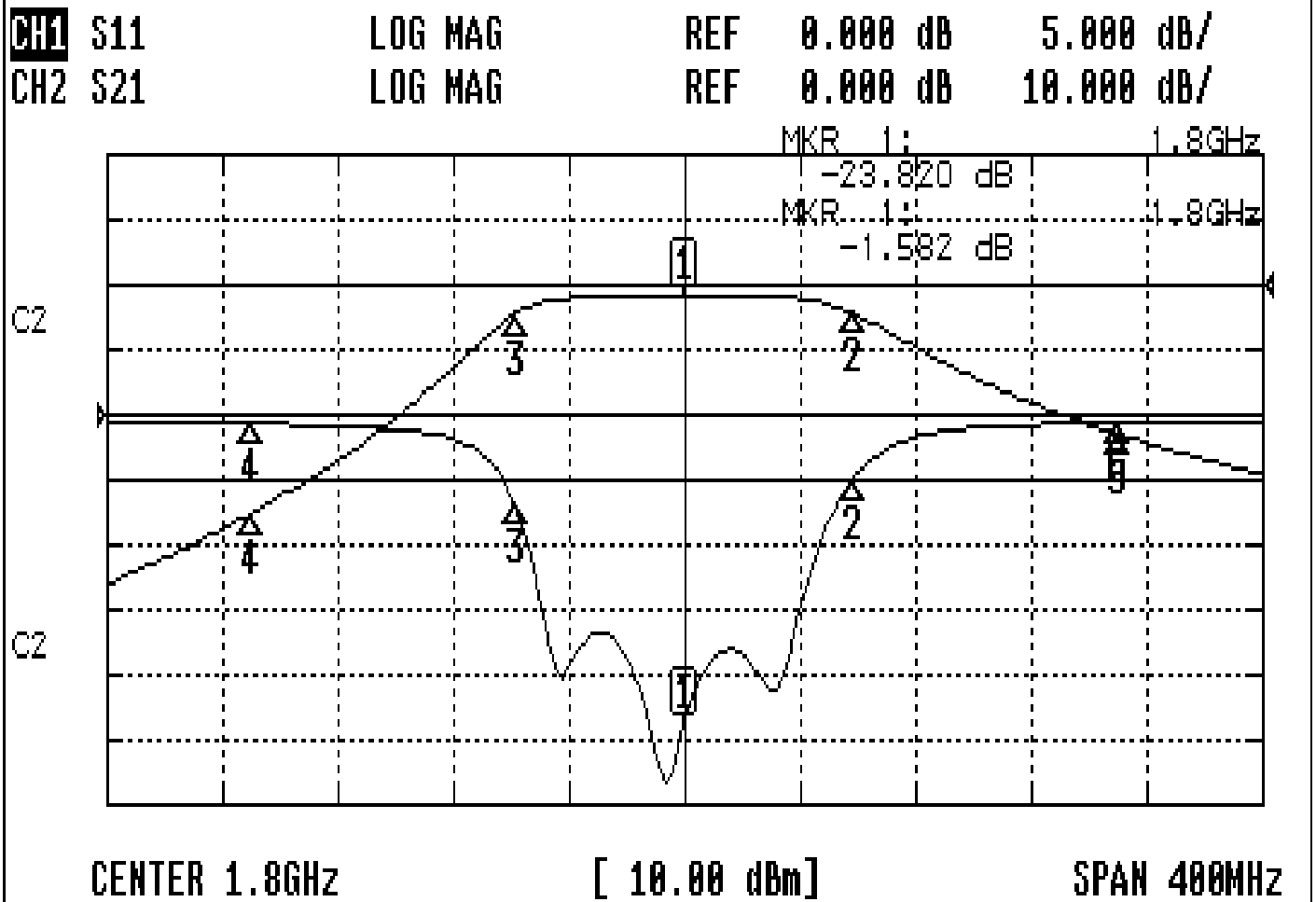


Approval C.Y.Chang	Supervisor C.K.Chang	Designer J.Yang	Aperture size 5W3S(3.8*5.1)(5.12) 5HW046RB3.2
-----------------------	-------------------------	--------------------	---

TEMWELL CORPORATION

Performance-TTW3609B-1800M

201407088CD



CH1 MARKER LIST

1:	1.800	000GHz	-23.821	dB
2:	1.858	666GHz	-4.926	dB
3:	1.741	333GHz	-6.883	dB
4:	1.650	000GHz	-0.671	dB
5:	1.950	000GHz	-0.646	dB

CH2 MARKER LIST

1:	1.800	000GHz	-1.582	dB
2:	1.858	666GHz	-4.528	dB
3:	1.741	333GHz	-4.501	dB
4:	1.650	000GHz	-35.170	dB
5:	1.950	000GHz	-22.959	dB