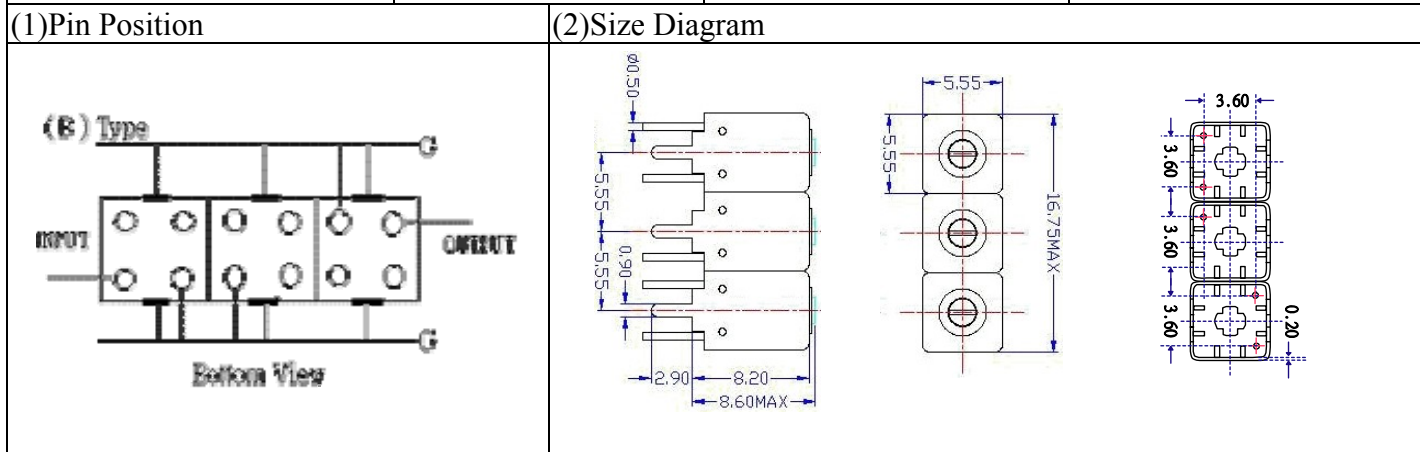


VHF UHF Helical Filter Specification Sheet

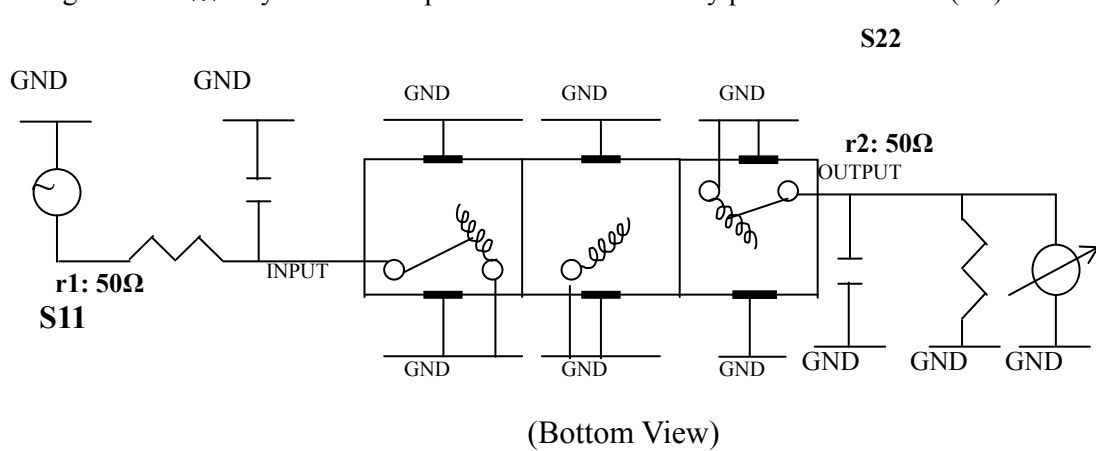
Customer Name		Temwell's Part No.	TTW3607B-2350M
Approval No. /dated	201407058CD	Temwell's Print Name.	3607B 2350M
Work Instruction No.	201407058CD	Date	Jul.15.2014



(3) Electric Character

Item	Specify	Performance
Center Freq.(Fo) +/- 0.5 %	2350 MHz	2350 MHz
Insertion Loss	Typ. 3.0 dB	2.04 dB
-3 dB Bandwidth	Typ. 88 MHz	111.6 MHz
Sensitivity (Attenuation)	Fo - 200 MHz	Typ. 36 dBc
	Fo + 200 MHz	Typ. 24 dBc
	Fo - ()MHz	Typ. dBc
	Fo + ()MHz	Typ. dBc
Return Loss	Min. 12 dB	21.2 dB
Ripple	< 1 dB	dB
Impedance	In / Out : 50 Ω	In / Out : 50 Ω
(4) Torque for Tuning Screw	> 60gf · cm	
(5) Temperature Condition:		
Operating Temperature	0°C ~ +60°C	
Storage Temperature	-20°C ~ +70°C	
(6) Input Power	> 0.5Watt	

(7) Measuring Circuit: ※Easy to match Impedance S11/S22 50Ω by parallel with about(--)



Approval	Supervisor	Designer	Aperture size
C.Y.Chang	C.K.Chang	C.Ko.Chang	5W3S(3.8*4.5)(4.58) 5HW046RB3.2 J1

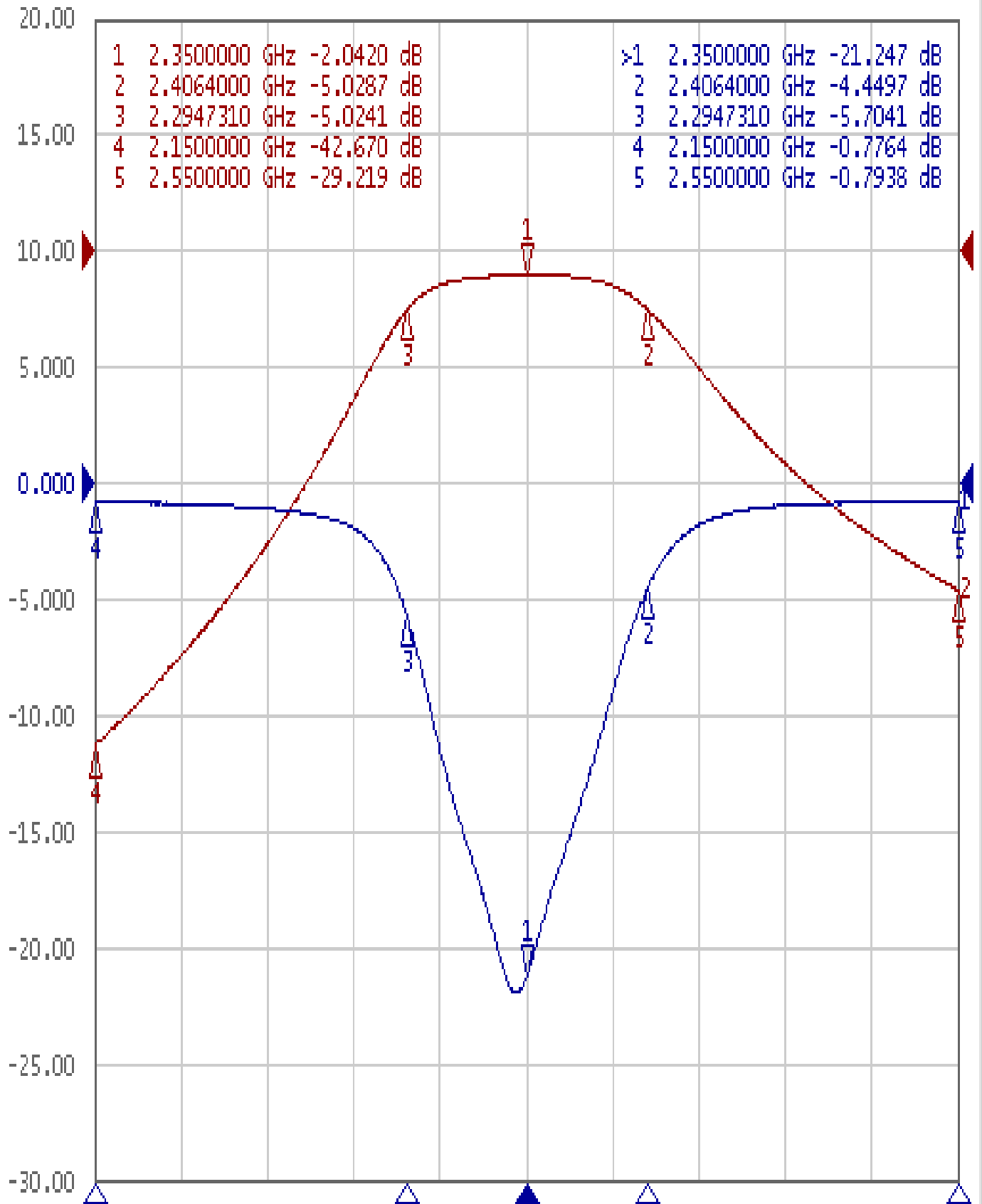
TEMWELL CORPORATION

Performance-TTW3607B-2350M

201407058CD

Tr1 S11 Log Mag 5.000dB/ Ref 0.000dB [F2]

Tr2 S21 Log Mag 10.00dB/ Ref 0.000dB [F2]



1 Center 2.35 GHz

IFBW 70 kHz

Span 400 MHz Cor