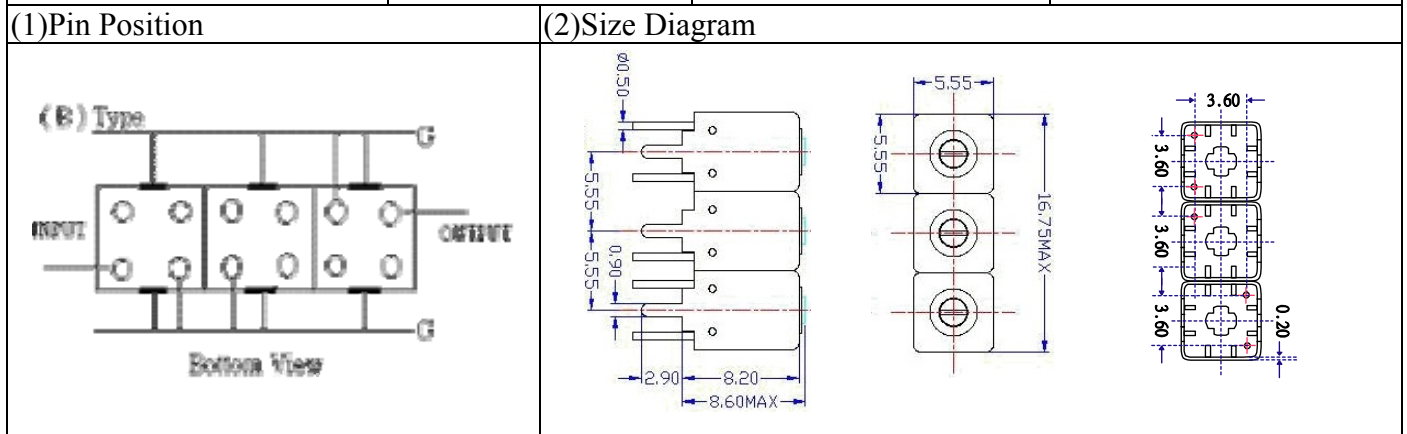


VHF UHF Helical Filter Specification Sheet

Customer Name		Temwell's Part No.	TTW3606B-2300M
Approval No. /dated	201407061CD	Temwell's Print Name.	3606B 2300M
Work Instruction No.	201407061CD	Date	Jul.09.2014



(3) Electric Character			
Item		Specify	Performance
Center Freq.(Fo) +/- 0.5 %		2300 MHz	2300 MHz
Insertion Loss		Typ. 3.0 dB	2.35 dB
-3 dB Bandwidth		Typ. 90 MHz	106.0 MHz
Sensitivity (Attenuation)	Fo - 200 MHz	Typ. 36 dBc	39 dBc
	Fo + 200 MHz	Typ. 25 dBc	28 dBc
	Fo - ()MHz	Typ. dBc	dBc
	Fo +()MHz	Typ. dBc	dBc
Return Loss		Min. 12 dB	16.1 dB
Ripple		< 1 dB	dB
Impedance		In / Out : 50 Ω	In / Out : 50 Ω

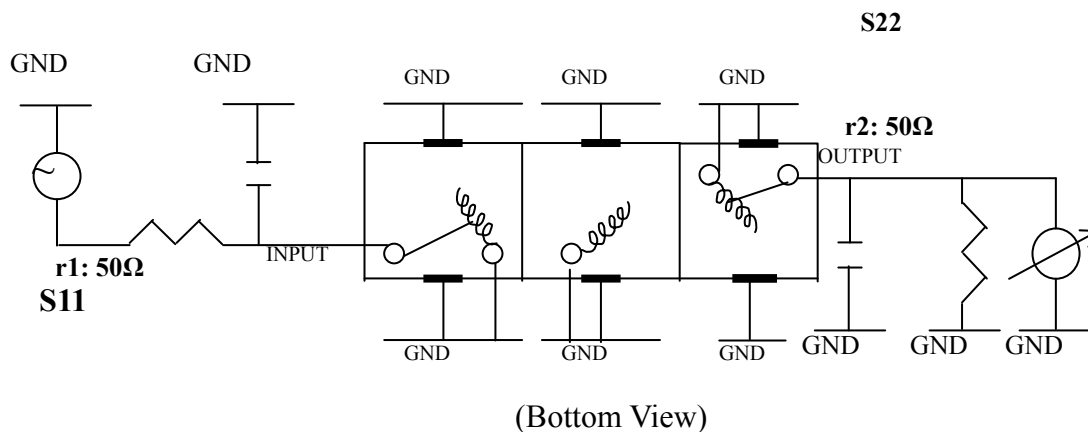
(4) Torque for Tuning Screw > 60gf · cm

(5) Temperature Condition:

Operating Temperature	0°C ~ +60°C
Storage Temperature	-20°C ~ +70°C

(6) Input Power > 0.5Watt

(7) Measuring Circuit: ※Easy to match Impedance S11/S22 50Ω by parallel with about(--) / (--).



Approval	Supervisor	Designer	Aperture size
C.Y.Chang	C.K.Chang	W.W.Wang	5W3S(3.8*4.5)(4.55) 5HW046RB3.2/J1

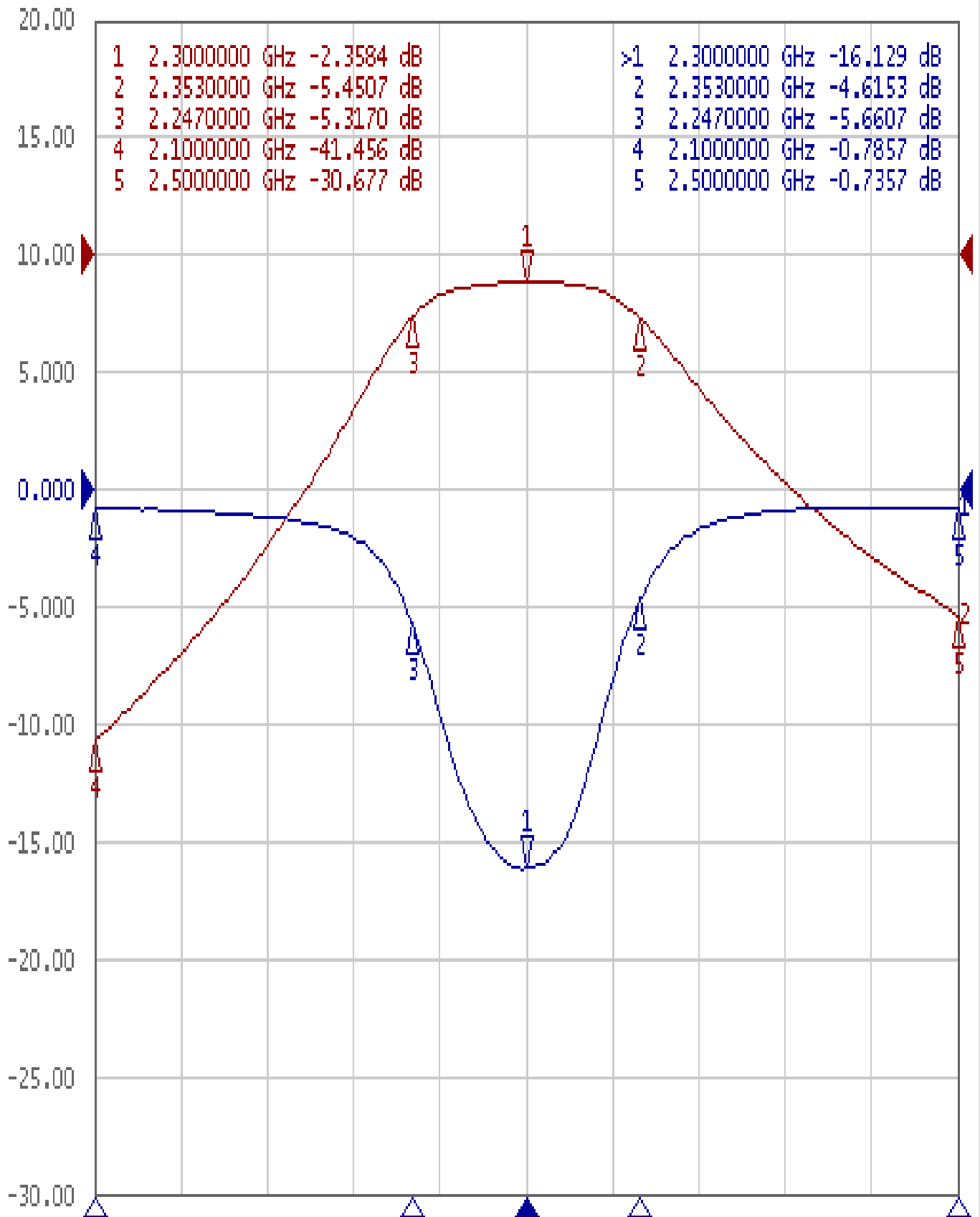
TEMWELL CORPORATION

Performance-TTW3606B-2300M

201407061CD

Tr1 S11 Log Mag 5.000dB/ Ref 0.000dB [F2]

Tr2 S21 Log Mag 10.00dB/ Ref 0.000dB [F2]



1 Center 2.3 GHz

IFBW 70 kHz

Span 400 MHz Cor !