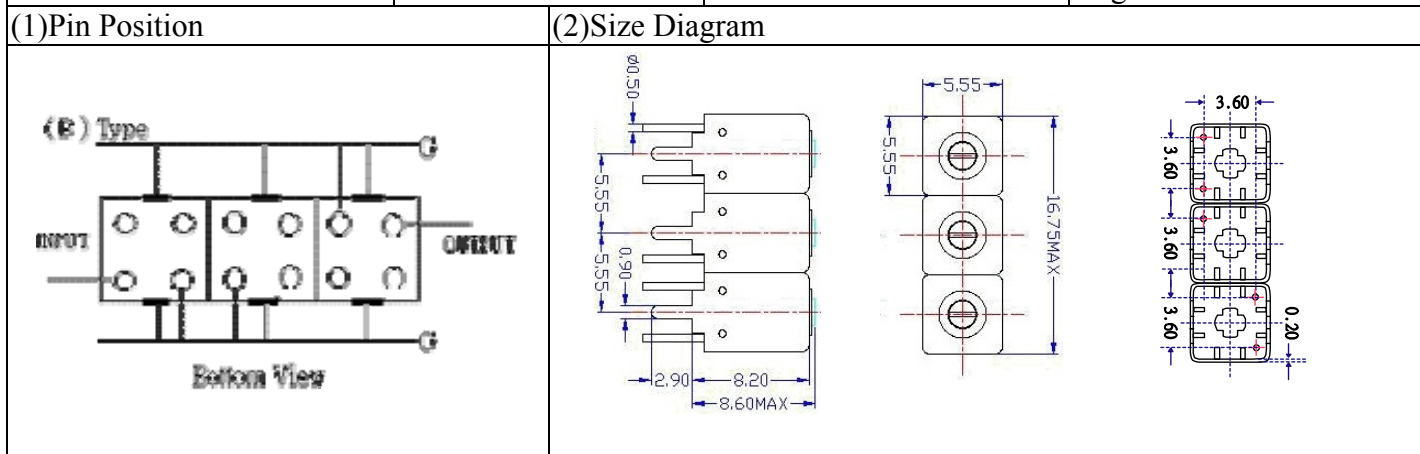


VHF UHF Helical Filter Specification Sheet

Customer Name		Temwell's Part No.	TTW3605B-2250M
Approval No. /dated	201407062CD	Temwell's Print Name.	3605B 2250M
Work Instruction No.	201407062CD	Date	Aug.05.2014



(3) Electric Character

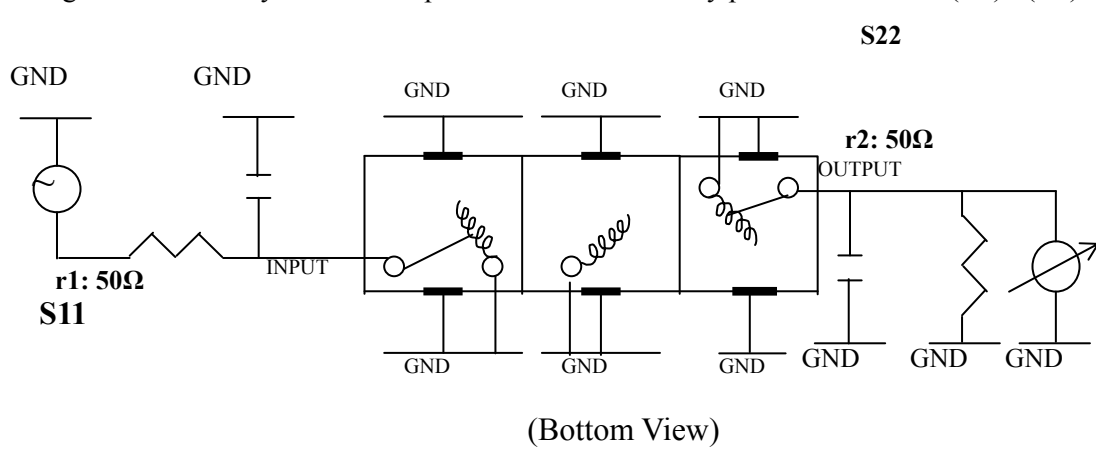
Item	Specify	Performance	
Center Freq.(Fo) +/- 0.5 %	2250 MHz	2250 MHz	
Insertion Loss	Typ. 3.5 dB	2.27 dB	
-3 dB Bandwidth	Typ. 88 MHz	103.3 MHz	
Sensitivity (Attenuation)	Fo - 200 MHz	Typ. 37 dBc	40 dBc
	Fo + 200 MHz	Typ. 25 dBc	30 dBc
	Fo - ()MHz	Typ. dBc	dBc
	Fo + ()MHz	Typ. dBc	dBc
Return Loss	Min. 12 dB	23.0 dB	
Ripple	< 1 dB	dB	
Impedance	In / Out : 50 Ω	In / Out : 50 Ω	
(4) Torque for Tuning Screw	> 60gf • cm		

(5) Temperature Condition:

Operating Temperature	0°C ~ +60°C
Storage Temperature	-20°C ~ +70°C

(6) Input Power

(7) Measuring Circuit: ※Easy to match Impedance S11/S22 50Ω by parallel with about(--) / (--).



Approval	Supervisor	Designer	Aperture size
C.Y.Chang	C.K.Chang	F.L.Lai	5W3S(3.8*4.5)(4.59) 5HW046RB3.2 (J1)

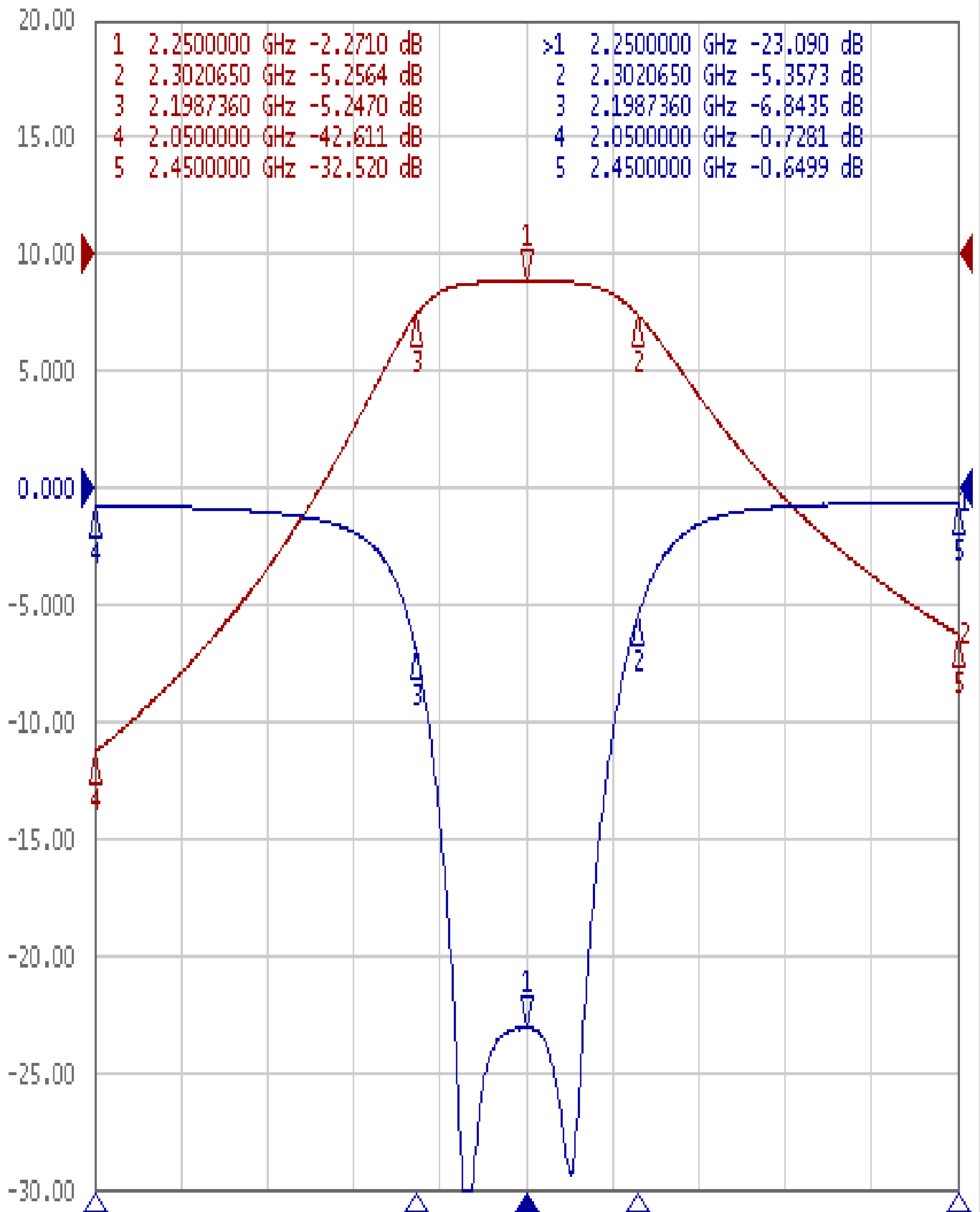
TEMWELL CORPORATION

Performance-TTW3605B-2250M

201407062CD

Tr1 S11 Log Mag 5.000dB/ Ref 0.000dB [F2]

Tr2 S21 Log Mag 10.000dB/ Ref 0.000dB [F2]



1 Center 2.25 GHz

IFBW 10 kHz

Span 400 MHz

Cor !