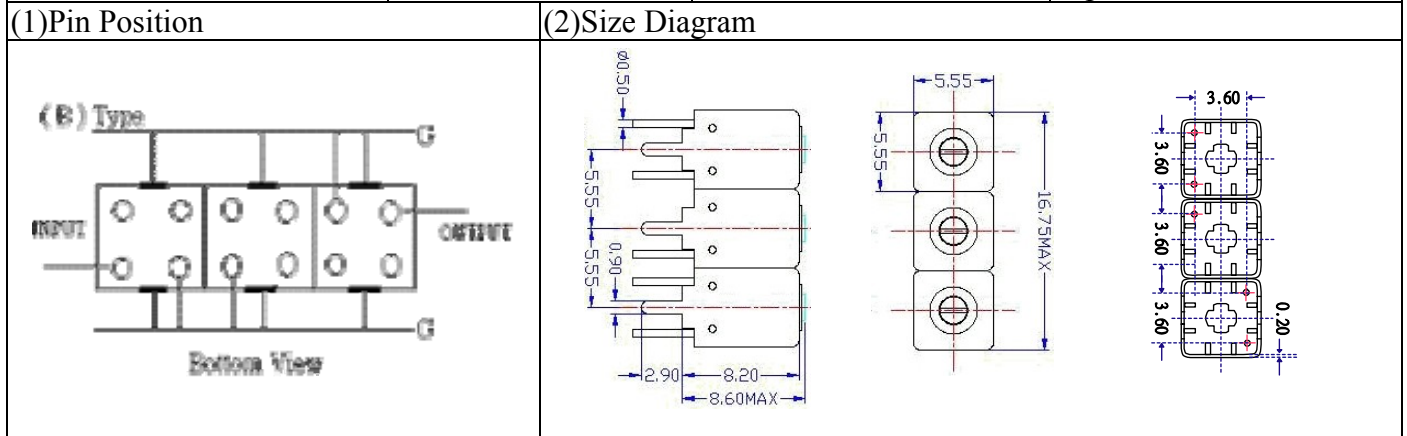
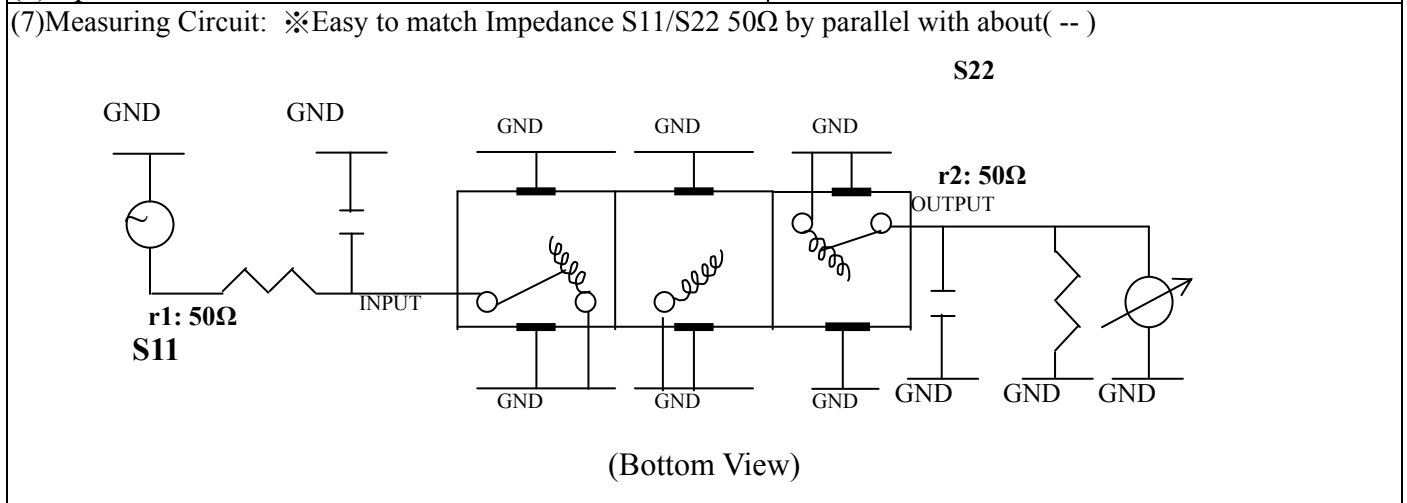


VHF UHF Helical Filter Specification Sheet

Customer Name		Temwell's Part No.	TTW3603B-2100M
Approval No. /dated	201407067CD	Temwell's Print Name.	3603B 2100M
Work Instruction No.	201407067CD	Date	Sep.10.2014



(3) Electric Character			
Item	Specify	Performance	
Center Freq.(Fo) +/- 0.5 %	2100 MHz	2100	MHz
Insertion Loss	Typ. 3.5 dB	2.38	dB
-3 dB Bandwidth	Typ. 82 MHz	94.7	MHz
Sensitivity (Attenuation)	Fo - 200 MHz	Typ. 39	dBc
	Fo + 200 MHz	Typ. 26	dBc
	Fo - ()MHz	Typ.	dBc
	Fo +()MHz	Typ.	dBc
Return Loss	Min. 12 dB	21.8	dB
Ripple	< 1 dB		dB
Impedance	In / Out : 50 Ω	In / Out : 50 Ω	
(4) Torque for Tuning Screw			
		> 60gf • cm	
(5) Temperature Condition:			
Operating Temperature		0°C ~ +60°C	
Storage Temperature		-20°C ~ +70°C	
(6) Input Power		> 0.5Watt	



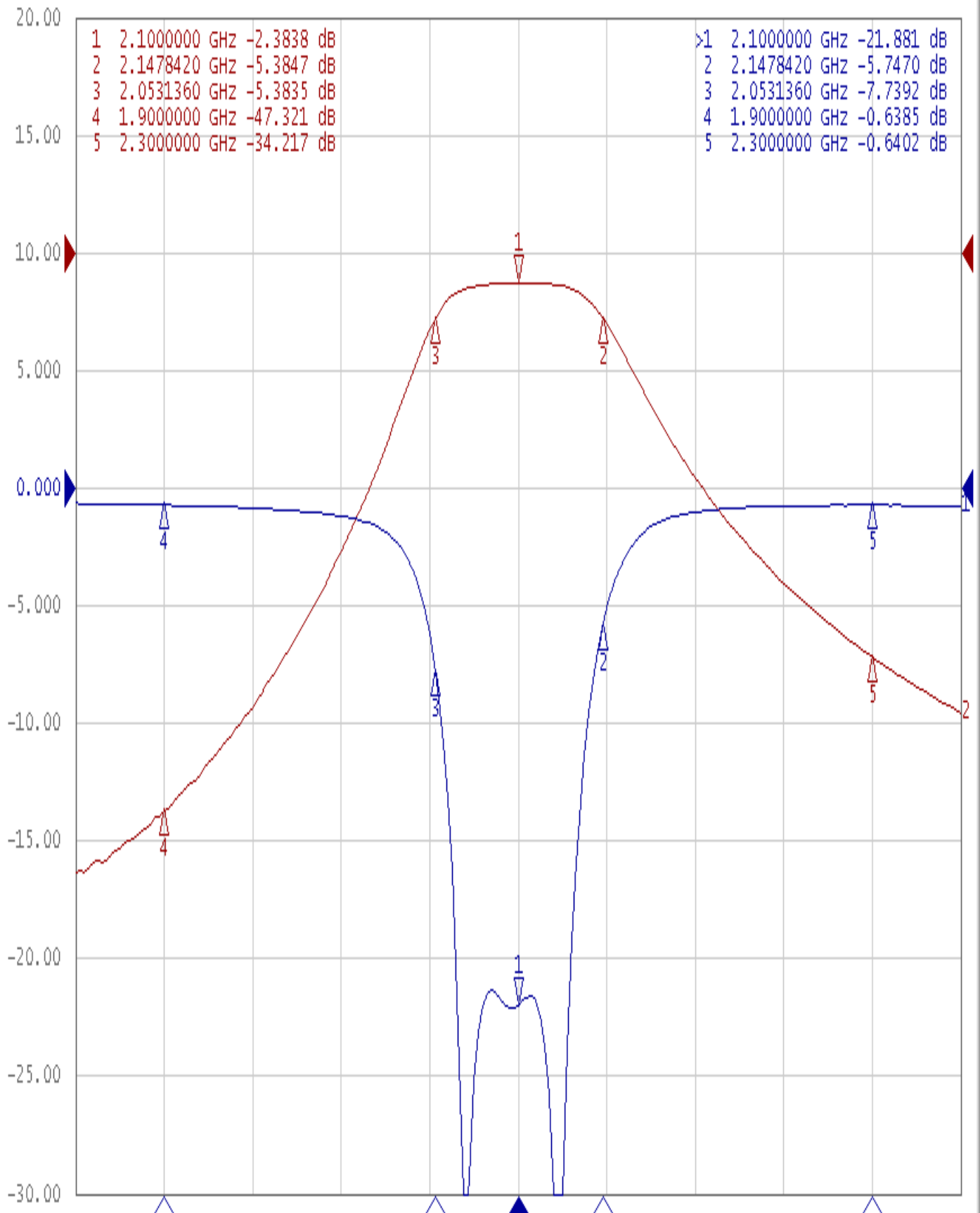
Approval C.Y.Chang	Supervisor C.K.Chang	Designer C.S.Chang	Aperture size 5W3S(3.8*4.5)(4.58) 5HW046RB3.2
-----------------------	-------------------------	-----------------------	---

TEMWELL CORPORATION

Performance-TTW3603B-2100M

201407067CD

Tr1 S11 Log Mag 5.000dB/ Ref 0.000dB [F2]
Tr2 S21 Log Mag 10.00dB/ Ref 0.000dB [F2]



1 Center 2.1 GHz

IFBW 10 kHz

Span 500 MHz Cor !