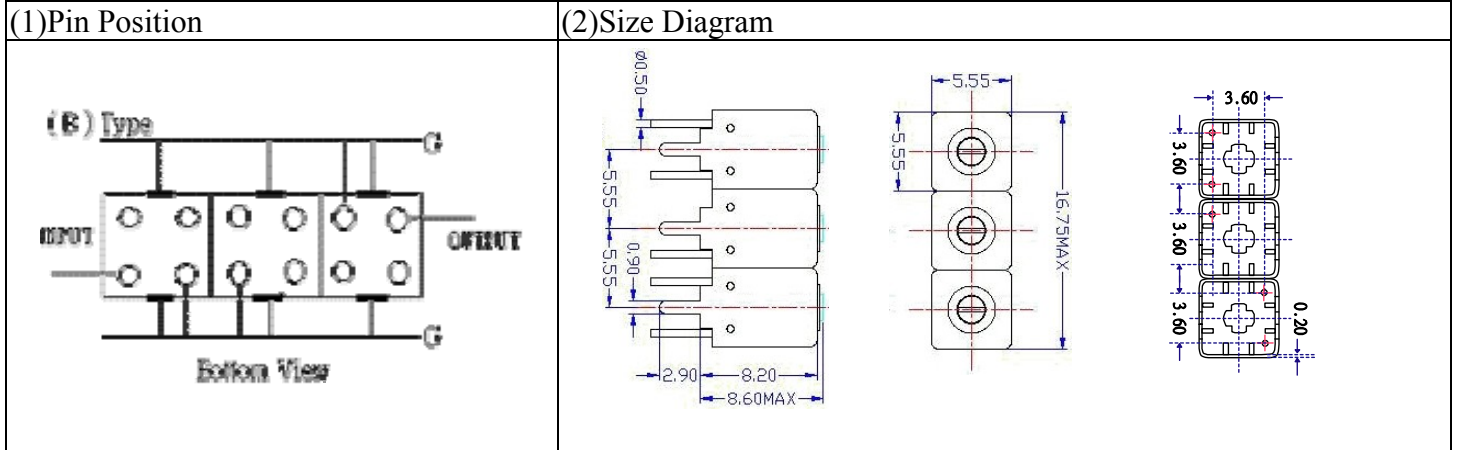


VHF UHF Helical Filter Specification Sheet

Customer Name		Temwell's Part No.	TTW3602B-2200M
Approval No. /dated	201407063CD	Temwell's Print Name.	3602B 2200M
Work Instruction No.	201407063CD	Date	Jul.09.2014



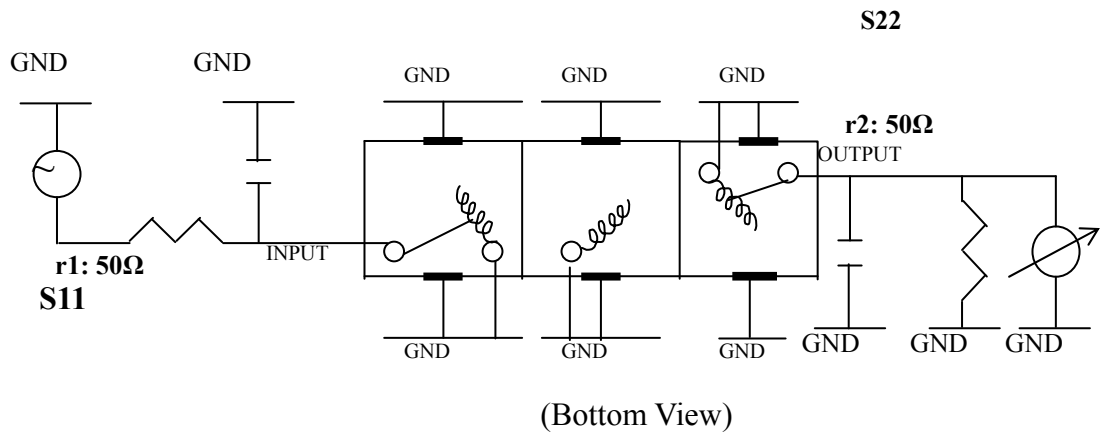
(3) Electric Character			
Item		Specify	Performance
Center Freq.(Fo) +/- 0.5 %		2200 MHz	2200 MHz
Insertion Loss		Typ. 3.0 dB	2.30 dB
-3 dB Bandwidth		Typ. 95 MHz	108.0 MHz
Sensitivity (Attenuation)	Fo - 200 MHz	Typ. 37 dBc	40 dBc
	Fo + 200 MHz	Typ. 24 dBc	28 dBc
	Fo - ()MHz	Typ. dBc	dBc
	Fo +()MHz	Typ. dBc	dBc
Return Loss		Min. 12 dB	25.4 dB
Ripple		< 1 dB	dB
Impedance		In / Out : 50 Ω	In / Out : 50 Ω

(4) Torque for Tuning Screw > 60gf · cm

(5) Temperature Condition:
 Operating Temperature 0°C ~ +60°C
 Storage Temperature -20°C ~ +70°C

(6) Input Power > 0.5 Watt

(7) Measuring Circuit: ※Easy to match Impedance S11/S22 50Ω by parallel with about (--) / (--).



Approval C.Y.Chang	Supervisor C.K.Chang	Designer W.W.Wang	Aperture size 5W3S(3.8*4.5)(4.55) 5HW046RB3.2/J1
-----------------------	-------------------------	----------------------	--

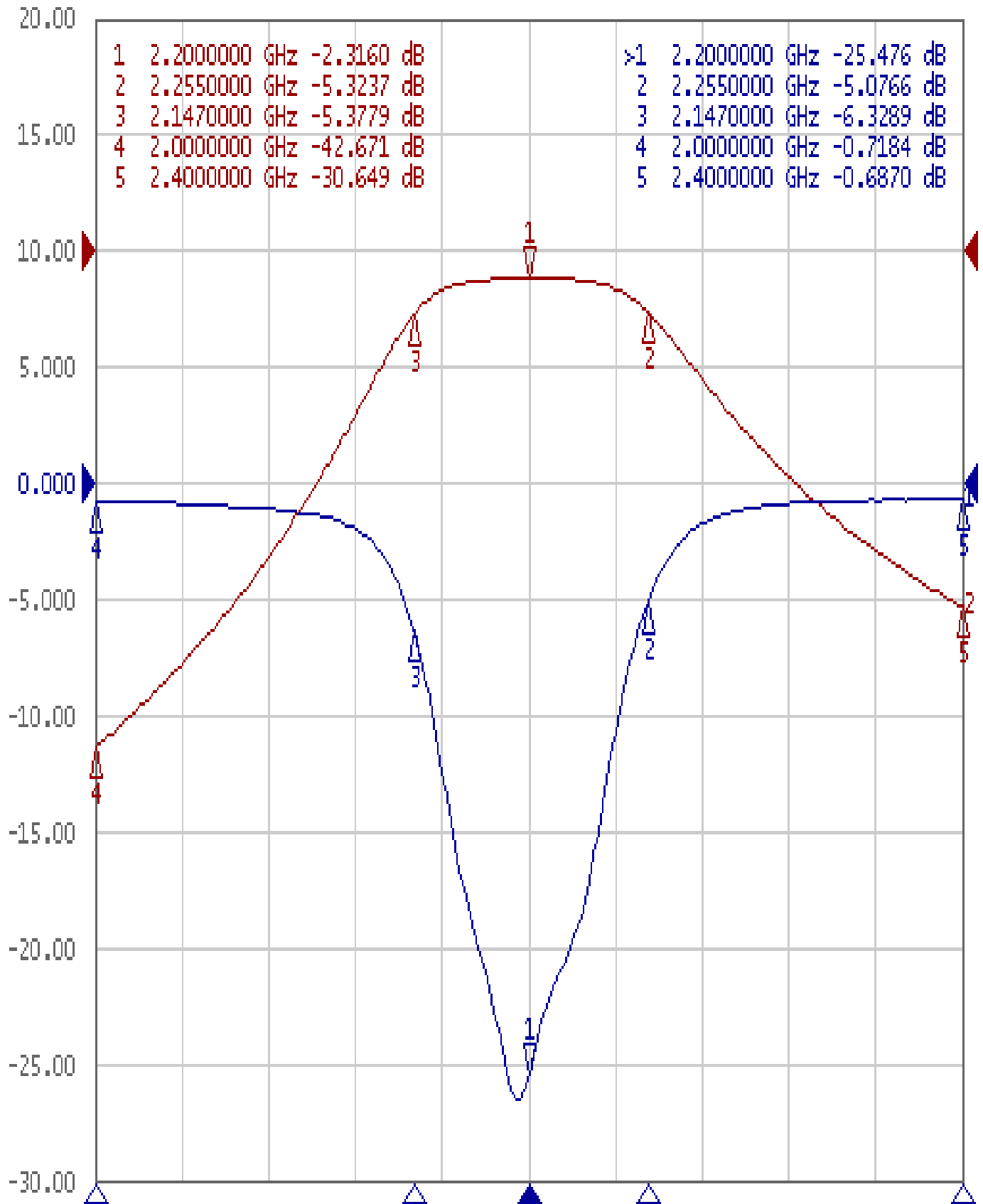
TEMWELL CORPORATION

Performance-TTW3602B-2200M

201407063CD

▶ Tr1 S11 Log Mag 5.000dB/ Ref 0.000dB [F2]

Tr2 S21 Log Mag 10.00dB/ Ref 0.000dB [F2]



1 Center 2.2 GHz

IFBW 70 kHz

Span 400 MHz Cor !