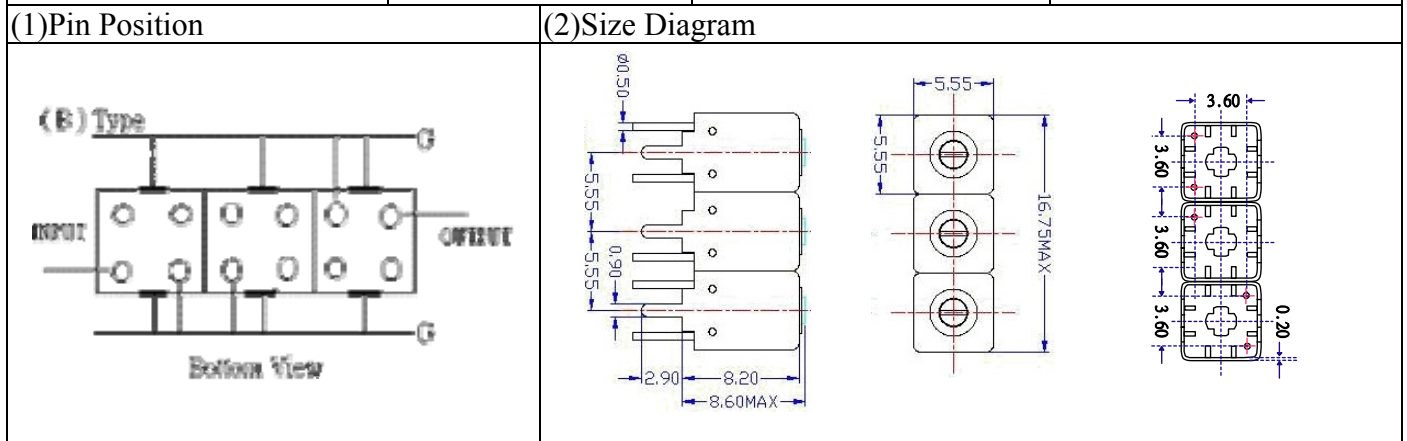


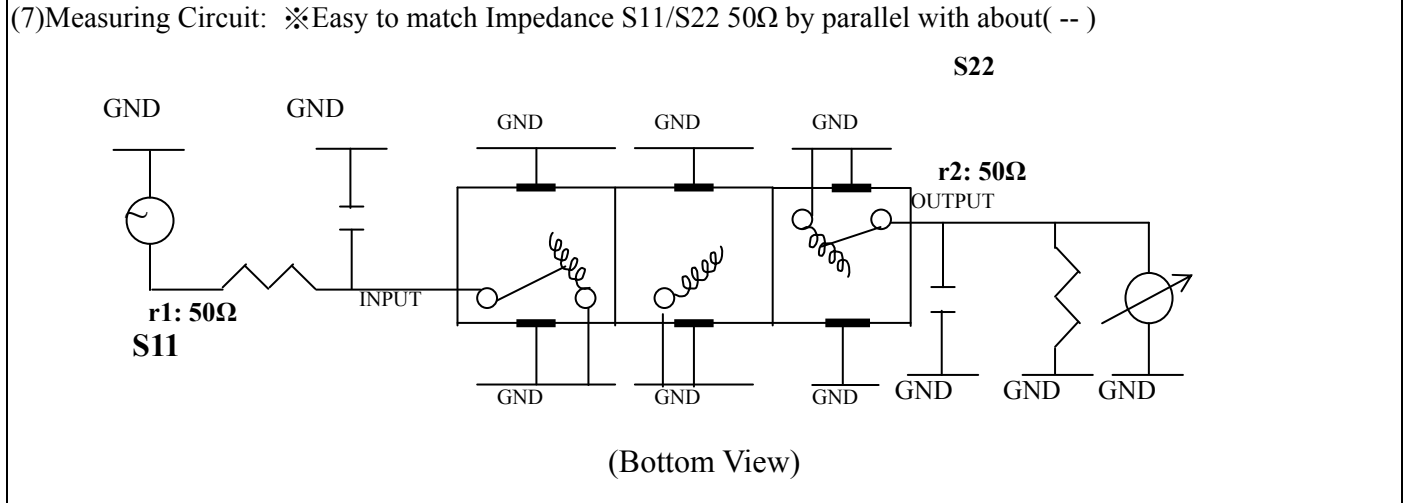
VHF UHF Helical Filter Specification Sheet

Customer Name		Temwell's Part No.	TTW3601B-2593M
Approval No. /dated	201407050CD	Temwell's Print Name.	3601B 2593M
Work Instruction No.	201407050CD	Date	Jul.18.2014



(3) Electric Character					
Item		Specify		Performance	
Center Freq.(F ₀) +/- 0.5 %		2593 MHz		2593 MHz	
Insertion Loss		Typ. 3.0 dB		2.24 dB	
-3 dB Bandwidth		Typ. 100 MHz		118.5 MHz	
Sensitivity (Attenuation)	F ₀ - 200 MHz	Typ. 31 dBc		36 dBc	
	F ₀ + 200 MHz	Typ. 21 dBc		26 dBc	
	F ₀ - ()MHz	Typ. dBc		dBc	
	F ₀ +()MHz	Typ. dBc		dBc	
Return Loss		Min. 12 dB		20.4 dB	
Ripple		< 1 dB		dB	
Impedance		In / Out : 50 Ω		In / Out : 50 Ω	
(4) Torque for Tuning Screw				> 60gf · cm	

(5) Temperature Condition:	
Operating Temperature	0°C ~ +60°C
Storage Temperature	-20°C ~ +70°C
(6) Input Power	> 0.5Watt



Approval C.Y.Chang	Supervisor C.K.Chang	Designer P.H.Chiang	Aperture size 5W3S(3.8*4.0)(4.03) 5HW046RB3.2/J1
-----------------------	-------------------------	------------------------	--

TEMWELL CORPORATION

Performance-TTW3601B-2593M

201407050CD

