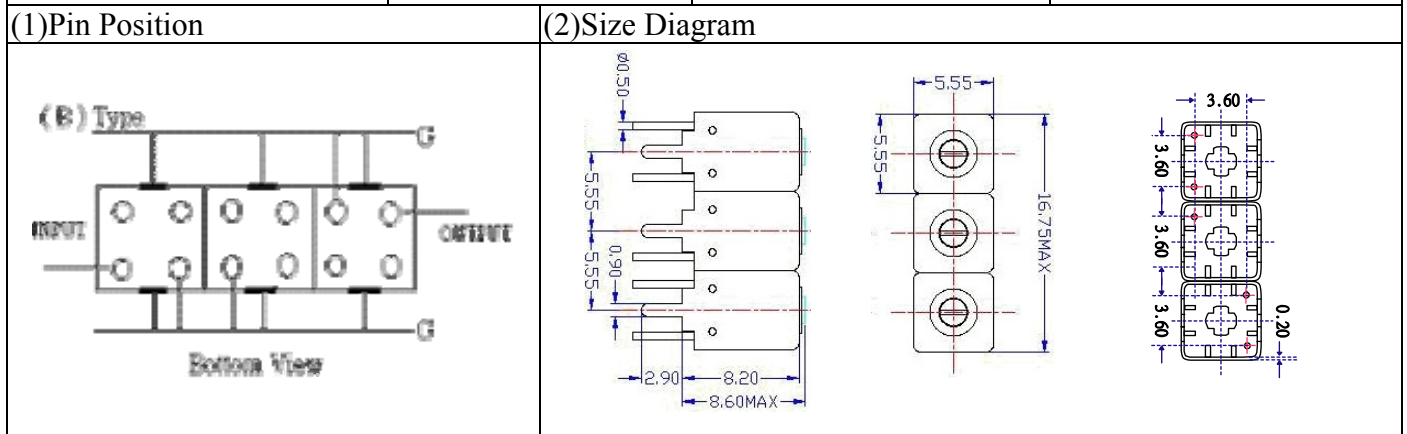


VHF UHF Helical Filter Specification Sheet

Customer Name		Temwell's Part No.	TTW3594B-1060M
Approval No. /dated	201407025CD	Temwell's Print Name.	3594B 1060M
Work Instruction No.	201407025CD	Date	Jul.08.2014



(3) Electric Character			
Item		Specify	Performance
Center Freq.(Fo) +/- 0.5 %		1060 MHz	1060 MHz
Insertion Loss		Typ. 3.5 dB	2.63 dB
-3 dB Bandwidth		Typ. 32 MHz	39.1 MHz
Sensitivity (Attenuation)	Fo - 50 MHz	Typ. 21 dBc	25 dBc
	Fo + 50 MHz	Typ. 13 dBc	17 dBc
	Fo - ()MHz	Typ. dBc	dBc
	Fo +()MHz	Typ. dBc	dBc
Return Loss		Min. 12 dB	22.1 dB
Ripple		< 1 dB	dB
Impedance		In / Out : 50 Ω	In / Out : 50 Ω

(4) Torque for Tuning Screw > 60gf · cm

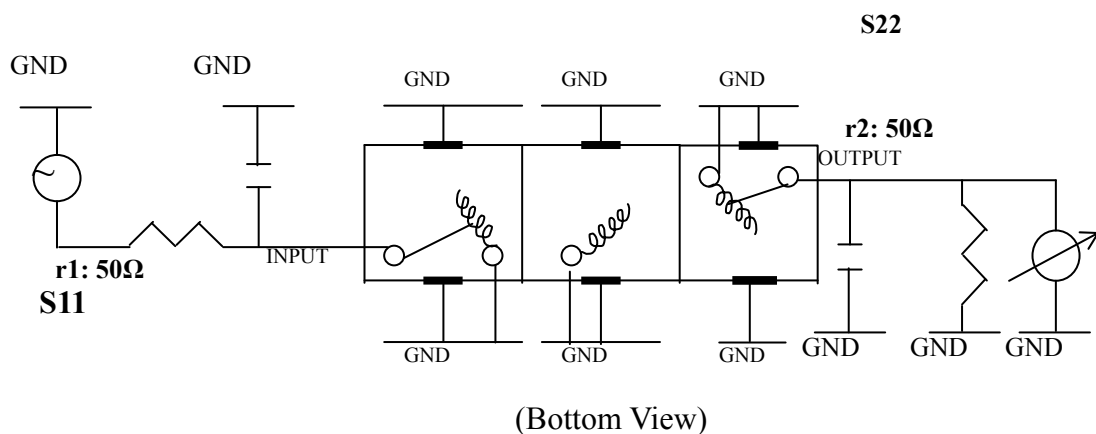
(5) Temperature Condition:

Operating Temperature 0°C ~ +60°C

Storage Temperature -20°C ~ +70°C

(6) Input Power > 0.5Watt

(7) Measuring Circuit: ※Easy to match Impedance S11/S22 50Ω by parallel with about(--) / (--).



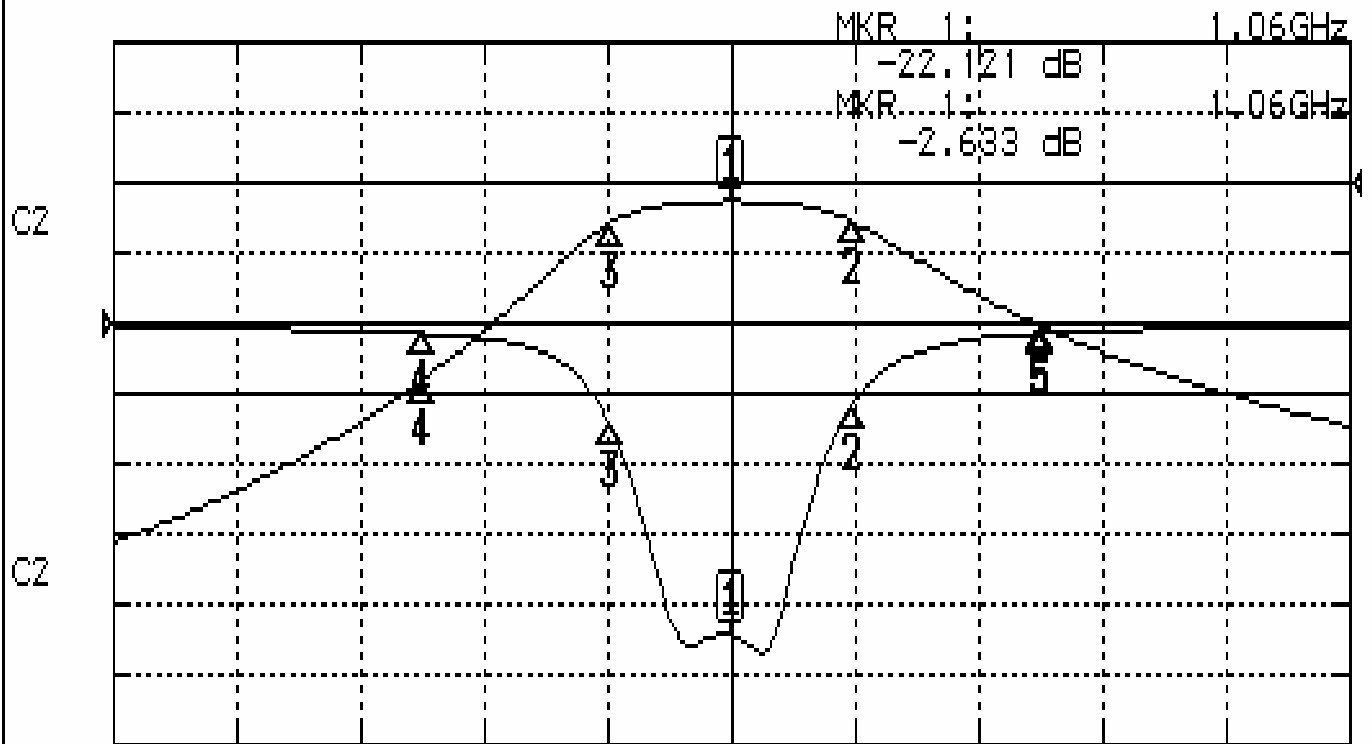
Approval	Supervisor	Designer	Aperture size
C.Y.Chang	C.K.Chang	C.H.Yeh	5W3S(3.8*5.1)(5.15) 5HW02RB3

TEMWELL CORPORATION

Performance-TTW3594B-1060M

201407025CD

CH1 S11 LOG MAG REF 0.000 dB 5.000 dB/
 CH2 S21 LOG MAG REF 0.000 dB 10.000 dB/



CENTER 1.06GHz

[10.00 dBm]

SPAN 200MHz

CH1 MARKER LIST

1:	1.060	000GHz	-22.132	dB
2:	1.079	666GHz	-15.869	dB
3:	1.040	500GHz	-7.298	dB
4:	1.010	000GHz	-0.731	dB
5:	1.110	000GHz	-0.686	dB

CH2 MARKER LIST

1:	1.060	000GHz	-2.633	dB
2:	1.079	666GHz	-1.650	dB
3:	1.040	500GHz	-1.667	dB
4:	1.010	000GHz	-28.043	dB
5:	1.110	000GHz	-20.411	dB