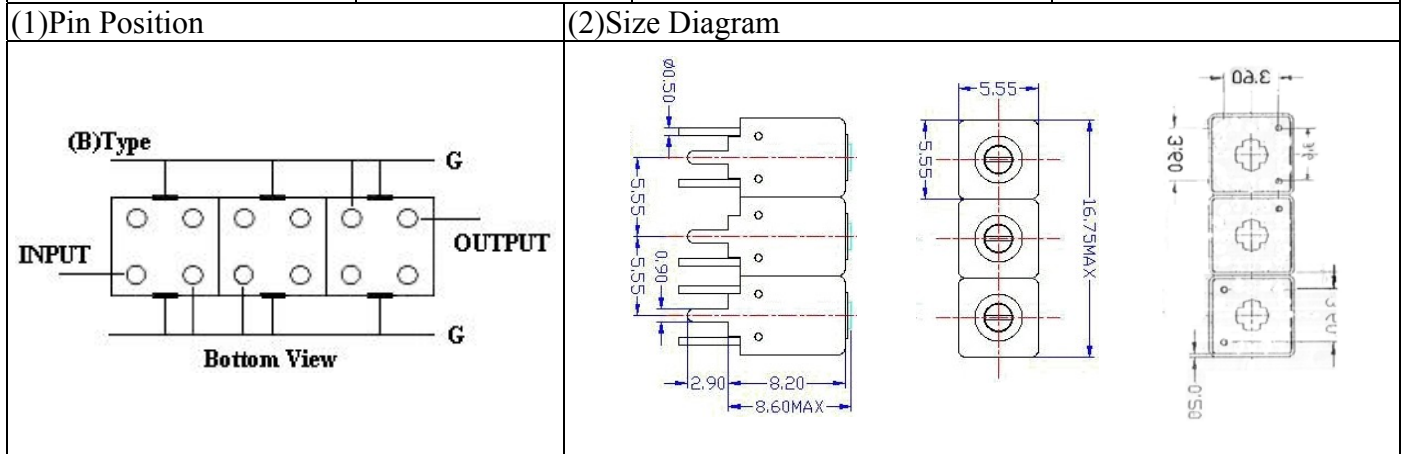


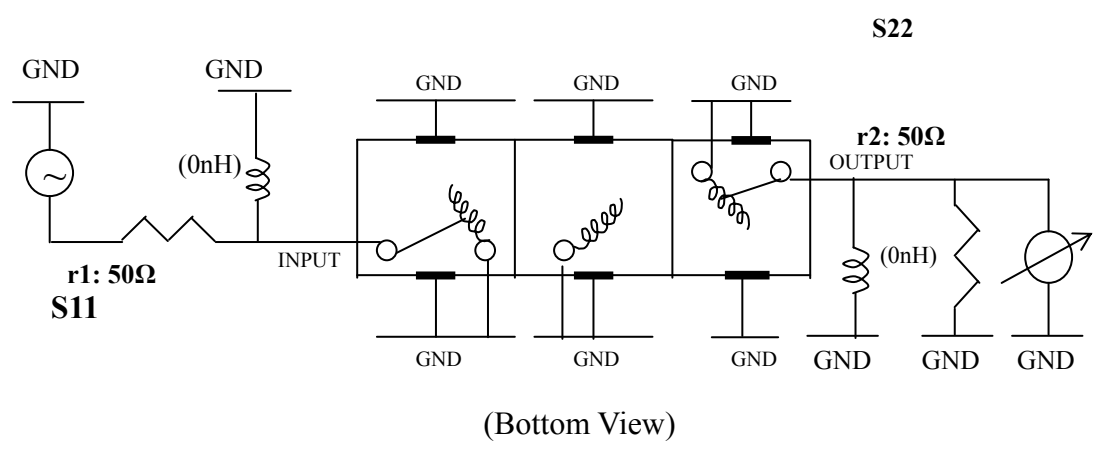
VHF UHF Helical Filter Specification Sheet

Customer Name		Temwell's Part No.	TTW3593B-1060M
Approval No. /dated	0904037CD	Temwell's Print Name	3595B 1060M
Work Instruction No.	200904037CD	Date	Feb.14.2009



(3) Electric Character			
Item	Specify	Performance	
Center Freq.(Fo) +/- 0.5 %	1060 MHz	1060	MHz
Tunable Range:	1060±10 MHz	1060±10	MHz
Insertion Loss	Typ. 4.0 dB	3.12	dB
-3 dB Bandwidth	Typ. 19 MHz	34.4	MHz
Sensitivity (Attenuation)	Fo - 50 MHz	Typ. 26	dBc
	Fo + 50 MHz	Typ. 18	dBc
	Fo - ()MHz	Typ.	dBc
	Fo +()MHz	Typ.	dBc
Return Loss	Min. 12 dB	22.0	dB
Ripple	< 1 dB		dB
Impedance	In / Out : 50 Ω	In / Out : 50 Ω	
(4) Torque for Tuning Screw	> 60gf · cm		
(5) Temperature Condition:			
Operating Temperature	0°C ~ +60°C		
Storage Temperature	-20°C ~ +70°C		
(6) Input Power	> 0.5Watt		

(7) Measuring Circuit: ※Easy to match Impedance S11/S22 50Ω by parallel with about(0nH) / (0nH).



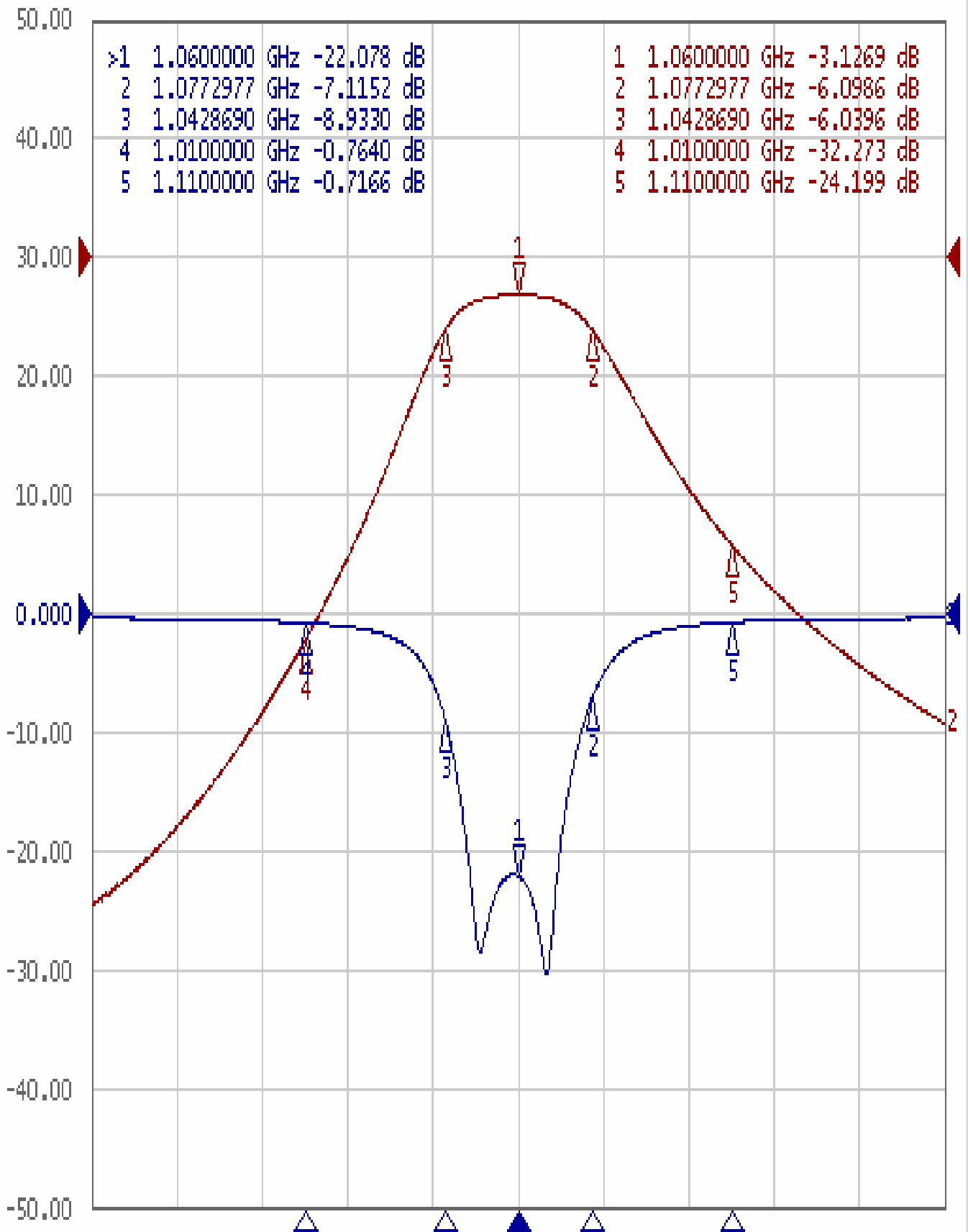
Approval	Supervisor	Designer	Aperture size
C.Y. Chang	C.K. Chang	P.H. Chiang	5W3S(3.8*4.0)(4.05) 5HW024RB3

TEMWELL CORPORATION

Performance-TTW3593B-1060M

200904037CD

▶ Tr1 S11 Log Mag 10.00dB/ Ref 0.000dB [F2]
Tr2 S21 Log Mag 10.00dB/ Ref 0.000dB [F2]



1 Center 1.06 GHz

IFBW 10 kHz

Span 200 MHz Cor |