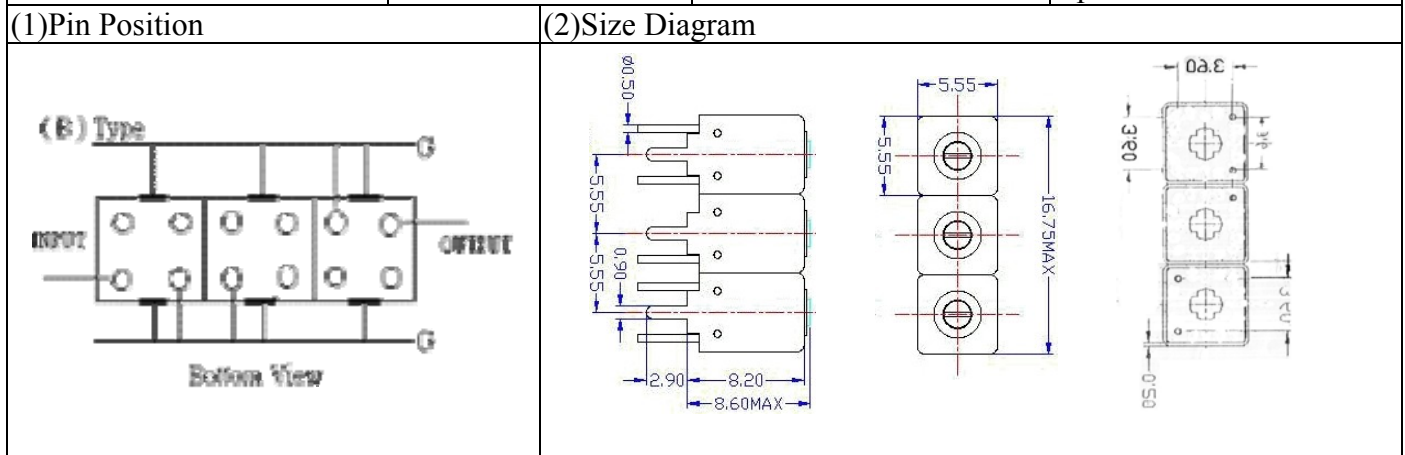
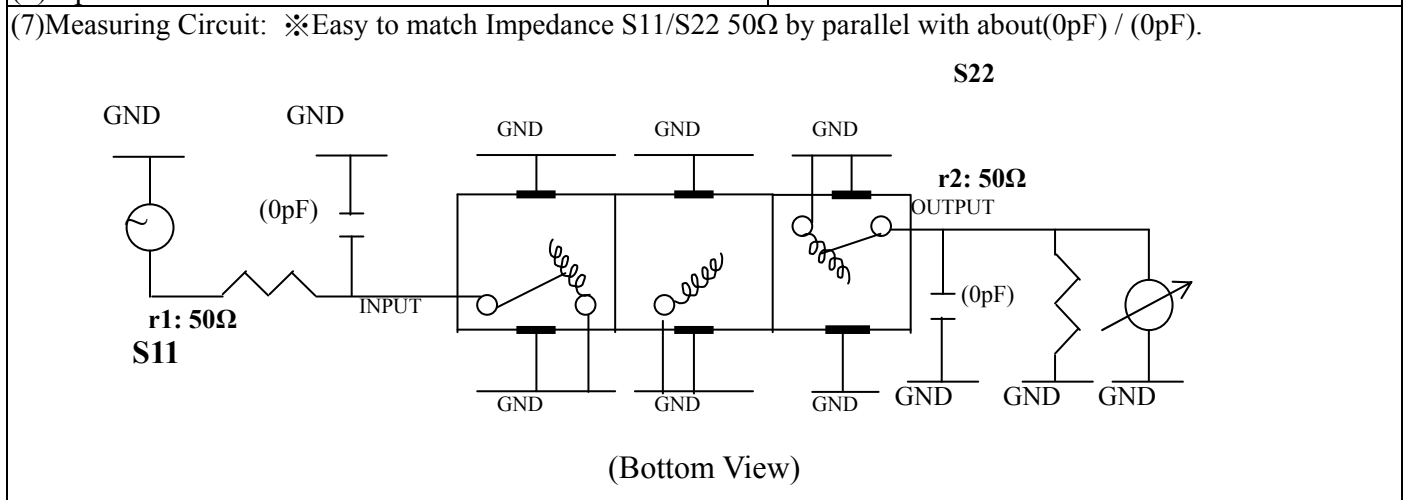


VHF UHF Helical Filter Specification Sheet

Customer Name		Temwell's Part No.	TTW3584B-1472M
Approval No. /dated	0904042CD	Temwell's Print Name.	3584B 1472M
Work Instruction No.	200904042CD	Date	Apr.15.2009



(3) Electric Character			
Item		Specify	Performance
Center Freq.(Fo) +/- 0.5 %		1472 MHz	1472 MHz
Tunable Range:		1472±5 MHz	1472±5 MHz
Insertion Loss		Typ. 3.5 dB	2.47 dB
-3 dB Bandwidth		Typ. 40 MHz	51.9 MHz
Sensitivity (Attenuation)	Fo - (100) MHz	Typ. 35 dBc	41 dBc
	Fo + (100) MHz	Typ. 24 dBc	28 dBc
	Fo - () MHz	Typ. dBc	dBc
	Fo + () MHz	Typ. dBc	dBc
Return Loss		Min. 12 dB	24.3 dB
Ripple		< 1 dB	dB
Impedance		In / Out : 50 Ω	In / Out : 50 Ω
(4) Torque for Tuning Screw		> 60gf · cm	
(5) Temperature Condition:			
Operating Temperature		0°C ~ +60°C	
Storage Temperature		-20°C ~ +70°C	
(6) Input Power		> 0.5Watt	

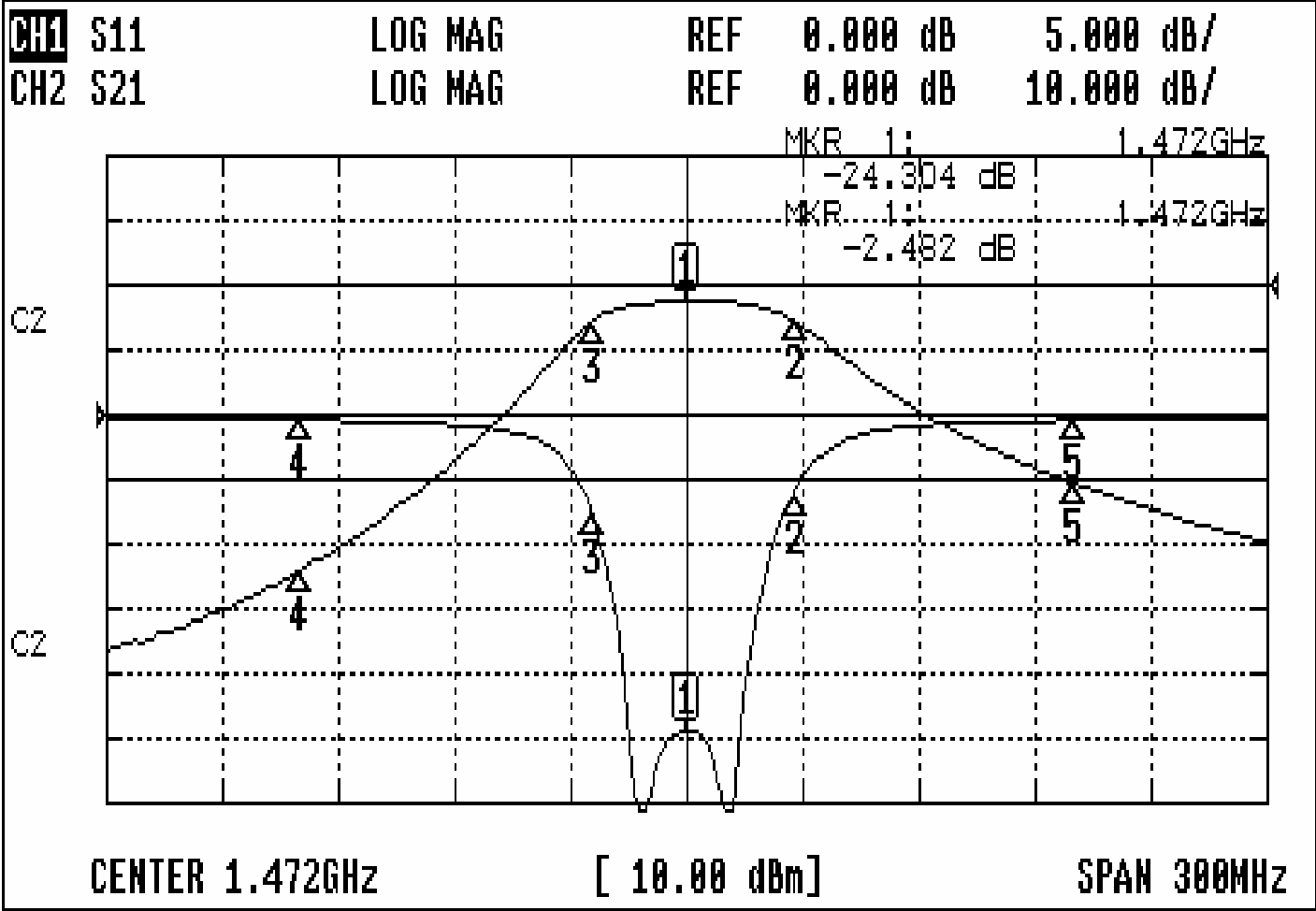


Approval	Supervisor	Designer	Aperture size
C.Y.Chang	C.K.Chang	Y.H.Yeh	5W3S(3.8*4.5)(4.52) 5HW024RB3

TEMWELL CORPORATION

Performance-TTW3584B-1472M

200904042CD



CH1 MARKER LIST

1:	1.472	000GHz	-24.304	dB
2:	1.499	680GHz	-5.978	dB
3:	1.447	750GHz	-7.596	dB
4:	1.372	000GHz	-0.391	dB
5:	1.572	000GHz	-0.421	dB
6:				
7:				
8:				
9:				
10:				

CH2 MARKER LIST

1:	1.472	000GHz	-2.478	dB
2:	1.499	680GHz	-5.495	dB
3:	1.447	750GHz	-5.505	dB
4:	1.372	000GHz	-44.019	dB
5:	1.572	000GHz	-30.584	dB
6:				
7:				
8:				
9:				
10:				