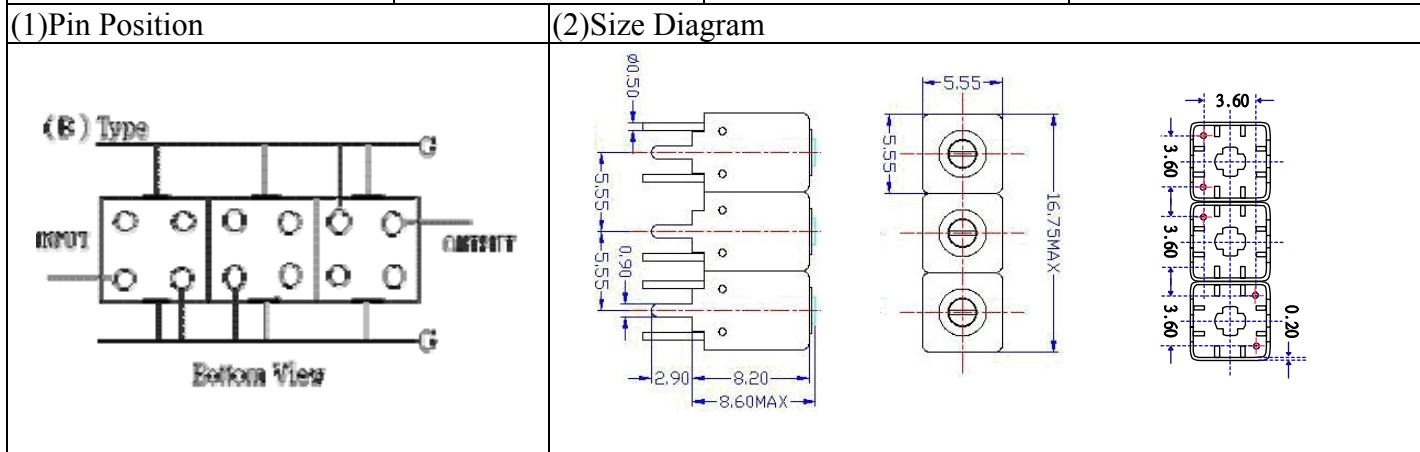


VHF UHF Helical Filter Specification Sheet

Customer Name		Temwell's Part No.	TTW3582B-1425M
Approval No. /dated	201407031CD	Temwell's Print Name.	3582B 1425M
Work Instruction No.	201407031CD	Date	Jul.31.2014



(3) Electric Character

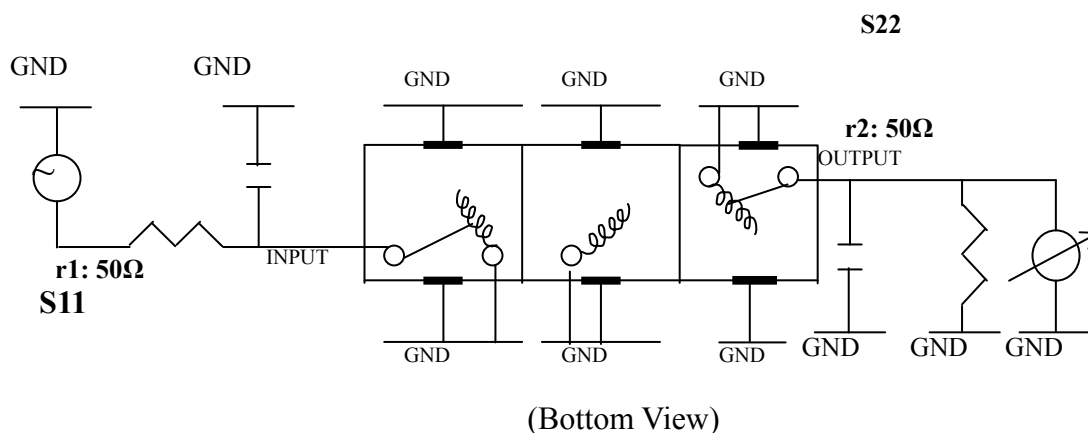
Item	Specify	Performance
Center Freq.(Fo) +/- 0.5 %	1425 MHz	1425 MHz
Insertion Loss	Typ. 4.5 dB	3.01 dB
-3 dB Bandwidth	Typ. 41 MHz	48.3 MHz
Sensitivity (Attenuation)	Fo - 100 MHz	Typ. 34 dBc
	Fo + 100 MHz	Typ. 24 dBc
	Fo - ()MHz	Typ. dBc
	Fo + ()MHz	Typ. dBc
Return Loss	Min. 12 dB	33.9 dB
Ripple	< 1 dB	dB
Impedance	In / Out : 50 Ω	In / Out : 50 Ω
(4) Torque for Tuning Screw	> 60gf · cm	

(5) Temperature Condition:

Operating Temperature	0°C ~ +60°C
Storage Temperature	-20°C ~ +70°C

(6) Input Power

(7) Measuring Circuit: ※Easy to match Impedance S11/S22 50Ω by parallel with about(--) / (--).



Approval	Supervisor	Designer	Aperture size
C.Y.Chang	C.K.Chang	C.S.Chang	5W3S(3.8*4.5)(4.58) 5HW024RB3

TEMWELL CORPORATION

Performance-TTW3582B-1425M

201407031CD

Tr1 S11 Log Mag 5.000dB/ Ref 0.000dB [F2]
Tr2 S21 Log Mag 10.00dB/ Ref 0.000dB [F2]

