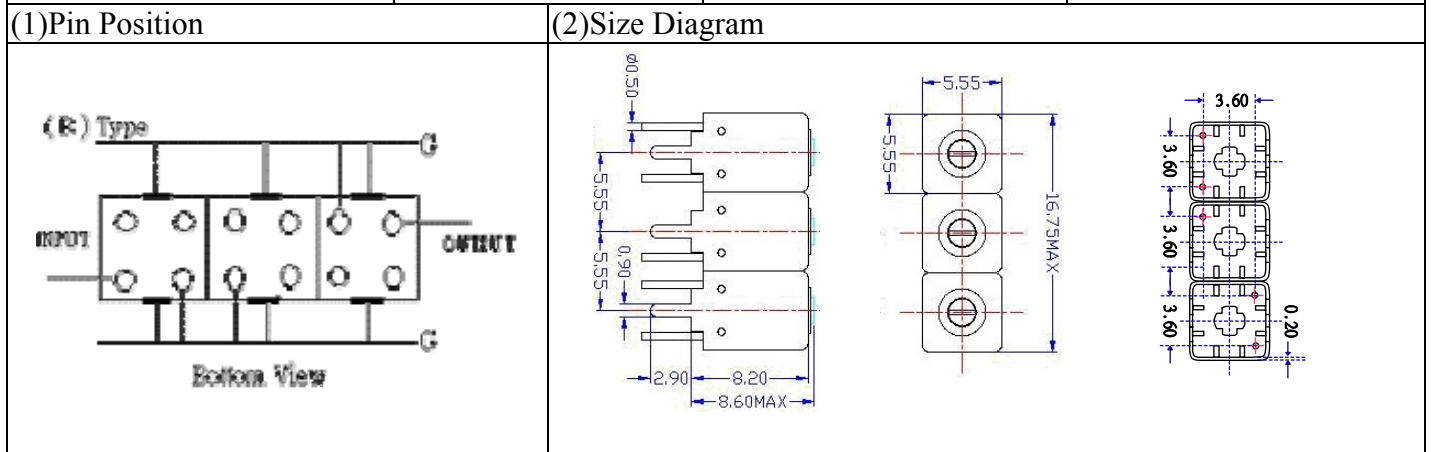


VHF UHF Helical Filter Specification Sheet

Customer Name		Temwell's Part No.	TTW3580B-1375M
Approval No. /dated	201407029CD	Temwell's Print Name.	3580B 1375M
Work Instruction No.	201407029CD	Date	Jul.31.2014



(3) Electric Character

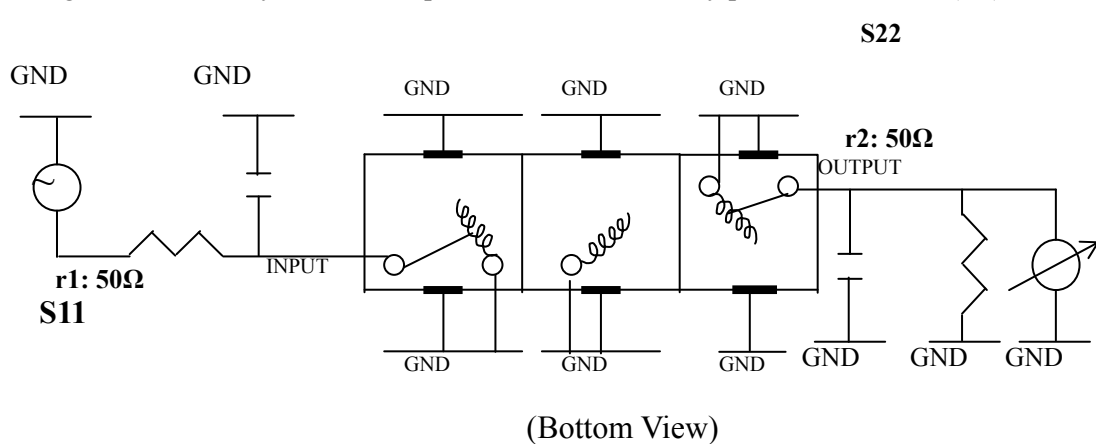
Item	Specify	Performance
Center Freq.(Fo) +/- 0.5 %	1375 MHz	1375 MHz
Insertion Loss	Typ. 4.0 dB	3.16 dB
-3 dB Bandwidth	Typ. 35 MHz	43.0 MHz
Sensitivity (Attenuation)	Fo - 100 MHz	Typ. 40 dBc
	Fo + 100 MHz	Typ. 26 dBc
	Fo - ()MHz	Typ. dBc
	Fo + ()MHz	Typ. dBc
Return Loss	Min. 12 dB	32.0 dB
Ripple	< 1 dB	dB
Impedance	In / Out : 50 Ω	In / Out : 50 Ω
(4) Torque for Tuning Screw	> 60gf · cm	

(5) Temperature Condition:

Operating Temperature	0°C ~ +60°C
Storage Temperature	-20°C ~ +70°C

(6) Input Power

(7) Measuring Circuit: ※Easy to match Impedance S11/S22 50Ω by parallel with about(--)



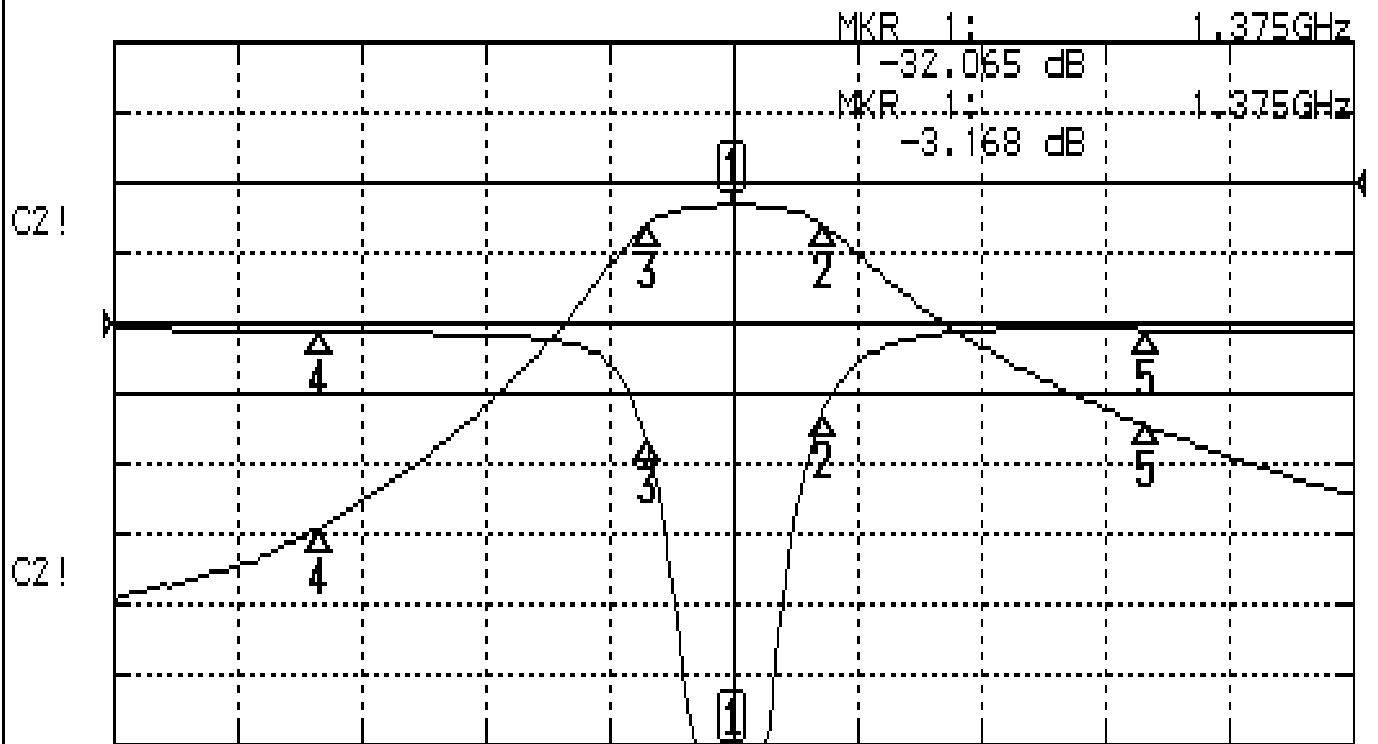
Approval C.Y.Chang	Supervisor C.K.Chang	Designer C.H.Yeh	Aperture size 5W3S(3.8*4.5)(4.58) 5HW024RB3
-----------------------	-------------------------	---------------------	---

TEMWELL CORPORATION

Performance-TTW3580B-1375M

201407029CD

CH1 S11 LOG MAG REF 0.000 dB 5.000 dB/
 CH2 S21 LOG MAG REF 0.000 dB 10.000 dB/



CENTER 1.375GHz

[10.00 dBm]

SPAN 300MHz

CH1 MARKER LIST

Marker	Freq (GHz)	Magnitude (dB)
1	1.375 000	-32.065
2	1.397 000	-16.386
3	1.354 000	-8.157
4	1.275 000	-0.683
5	1.475 000	-0.445

CH2 MARKER LIST

Marker	Freq (GHz)	Magnitude (dB)
1	1.375 000	-3.166
2	1.397 000	-16.186
3	1.354 000	-16.114
4	1.275 000	-49.080
5	1.475 000	-34.577