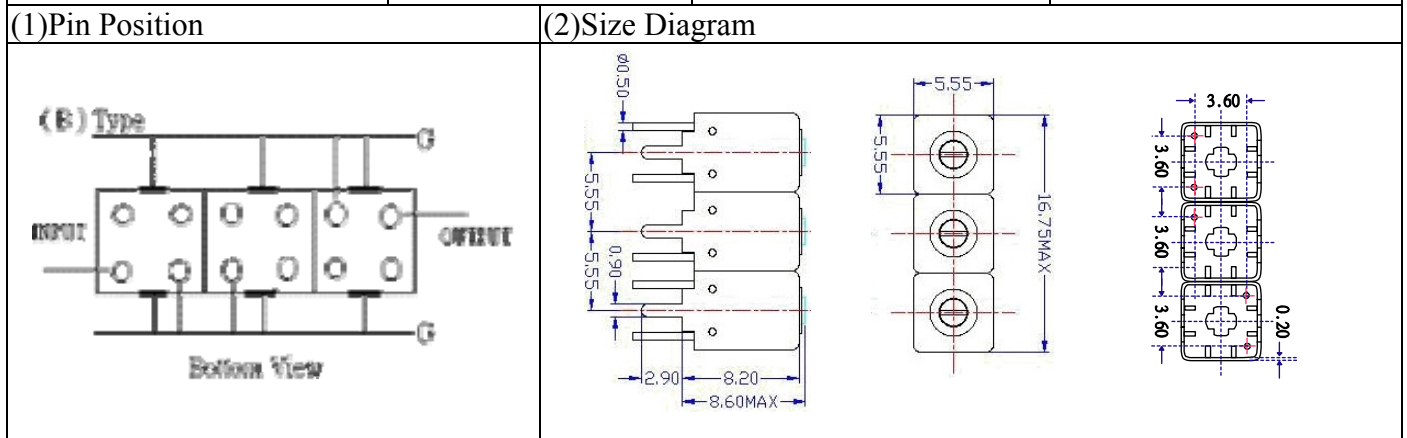


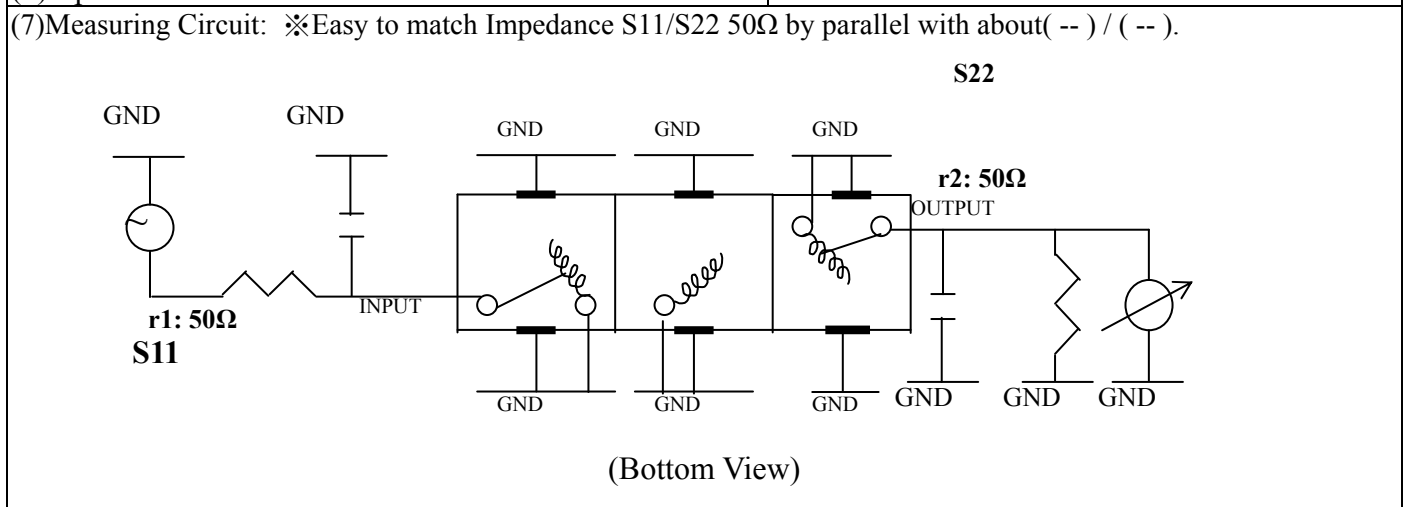
VHF UHF Helical Filter Specification Sheet

Customer Name		Temwell's Part No.	TTW3571B1-997M
Approval No. /dated		Temwell's Print Name.	3571B1 997M
Work Instruction No.	201406026CD	Date	Jun.19.2014



(3) Electric Character			
Item		Specify	Performance
Center Freq.(Fo) +/- 0.5 %		997 MHz	997 MHz
Insertion Loss		Typ. 4.5 dB	3.74 dB
-3 dB Bandwidth		Typ. 20 MHz	25.0 MHz
Sensitivity (Attenuation)	Fo - 100 MHz	Typ. 50 dBc	53 dBc
	Fo + 100 MHz	Typ. 46 dBc	49 dBc
	Fo - ()MHz	Typ. dBc	dBc
	Fo +()MHz	Typ. dBc	dBc
Return Loss		Min. 12 dB	21.5 dB
Ripple		< 1 dB	dB
Impedance		In / Out : 50 Ω	In / Out : 50 Ω
(4) Torque for Tuning Screw		> 60gf · cm	

(5) Temperature Condition:	
Operating Temperature	0°C ~ +60°C
Storage Temperature	-20°C ~ +70°C
(6) Input Power	> 0.5Watt



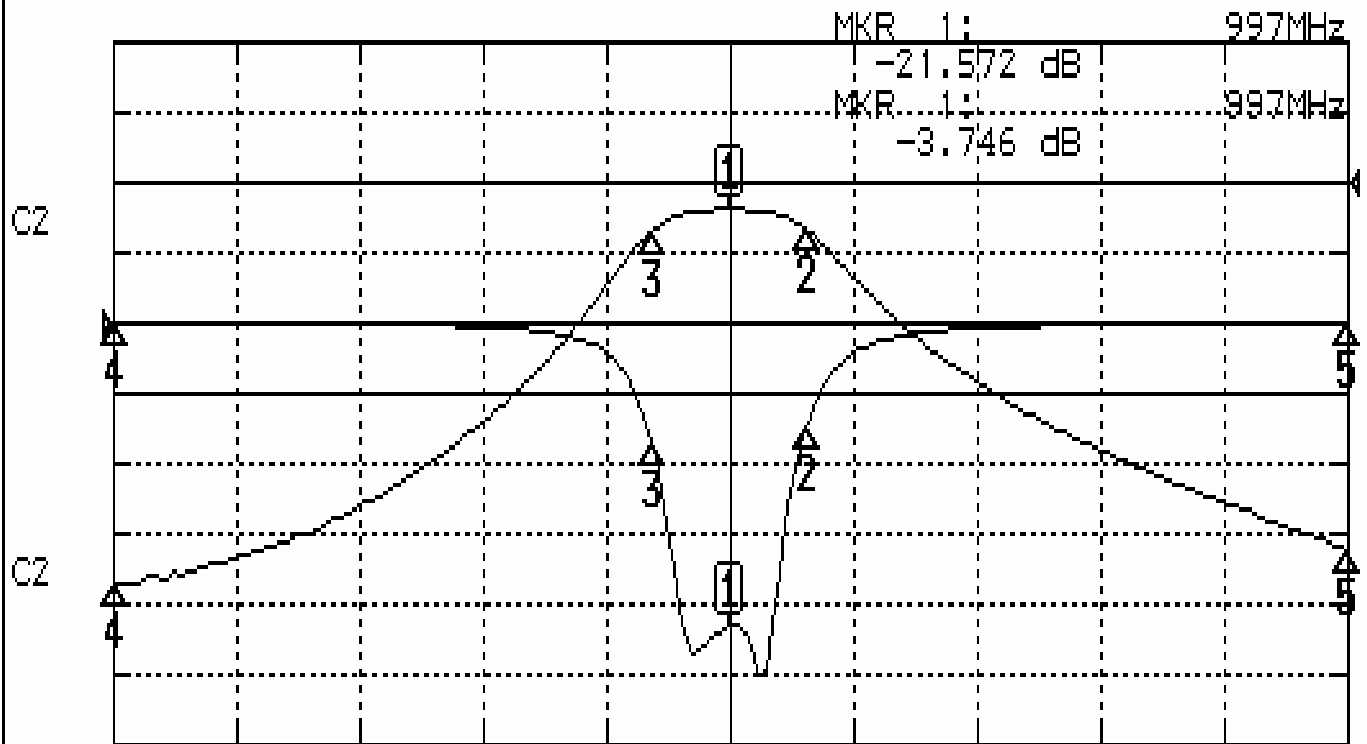
Approval C.Y.Chang	Supervisor C.K.Chang	Designer M.Y.Kang	Aperture size 5W3S(3.8*3.5)(3.55) 5HW024RB3
-----------------------	-------------------------	----------------------	---

TEMWELL CORPORATION

Performance-TTW3571B1-997M

201406026CD

CH1 S11 LOG MAG REF 0.000 dB 5.000 dB/
 CH2 S21 LOG MAG REF 0.000 dB 10.000 dB/



CENTER 997MHz

[10.00 dBm]

SPAN 200MHz

CH1 MARKER LIST

1:	997.000MHz	-21.558	dB
2:	1.009500GHz	-7.385	dB
3:	984.500MHz	-8.679	dB
4:	897.000MHz	0.070	dB
5:	1.097000GHz	0.076	dB

CH2 MARKER LIST

1:	997.000MHz	-3.746	dB
2:	1.009500GHz	-6.812	dB
3:	984.500MHz	-6.782	dB
4:	897.000MHz	-7.175	dB
5:	1.097000GHz	-2.816	dB