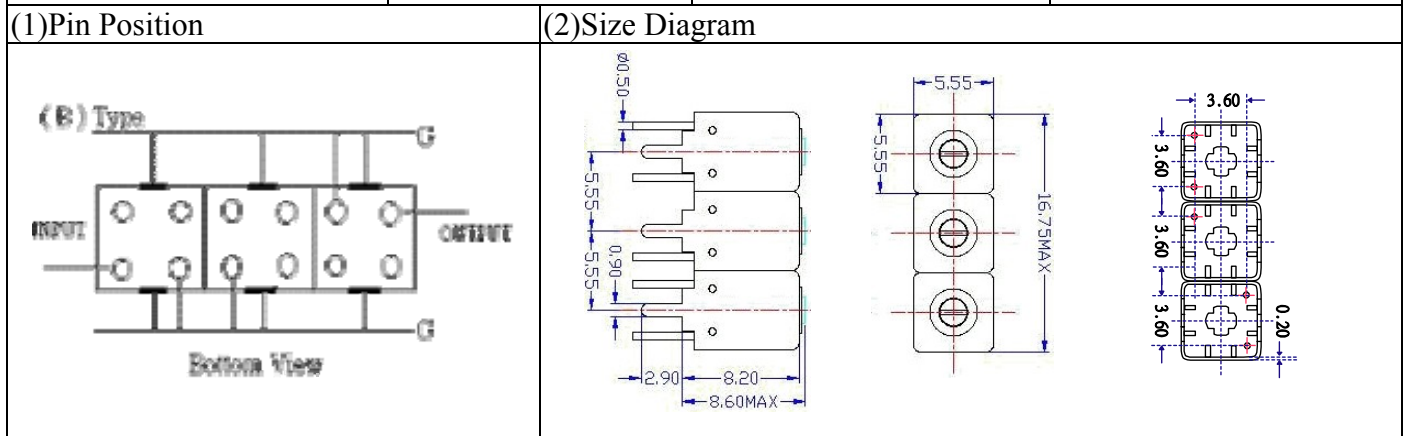


VHF UHF Helical Filter Specification Sheet

Customer Name		Temwell's Part No.	TTW3570B-960M
Approval No. /dated		Temwell's Print Name.	3570B 960M
Work Instruction No.	201406024CD	Date	Jun.18.2014

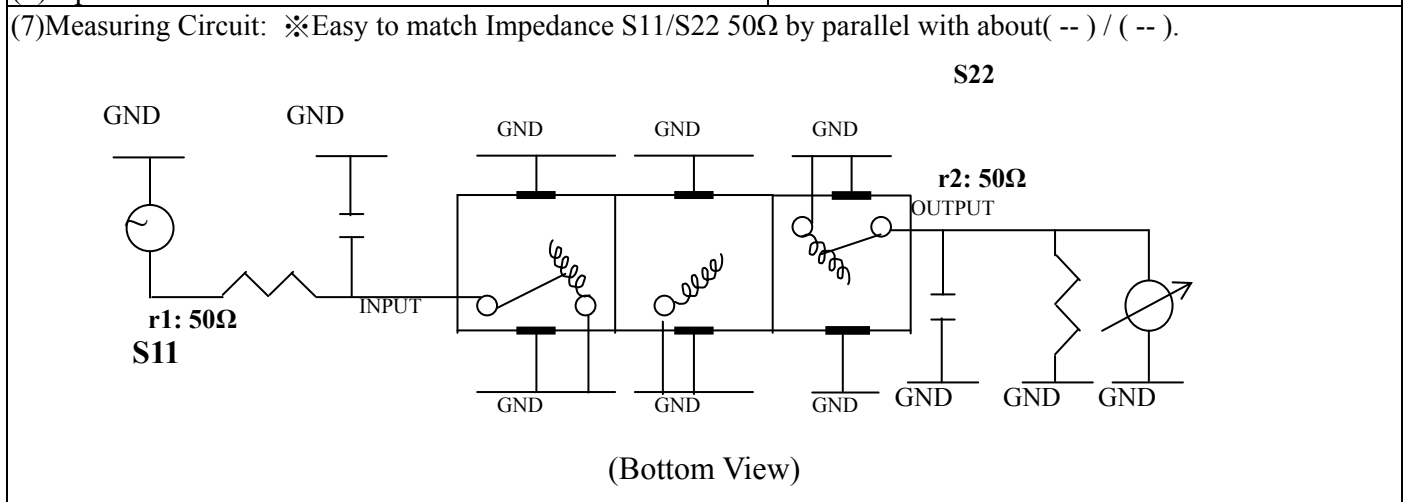


(3) Electric Character			
Item	Specify	Performance	
Center Freq.(Fo) +/- 0.5 %	960 MHz	960	MHz
Insertion Loss	Typ. 4.0 dB	2.44	dB
-3 dB Bandwidth	Typ. 30 MHz	34.2	MHz
Sensitivity (Attenuation)	Fo - 100 MHz	Typ. 48	dBc
	Fo + 100 MHz	Typ. 34	dBc
	Fo - ()MHz	Typ.	dBc
	Fo +()MHz	Typ.	dBc
Return Loss	Min. 12 dB	34.0	dB
Ripple	< 1 dB		dB
Impedance	In / Out : 50 Ω	In / Out : 50 Ω	

(4) Torque for Tuning Screw	> 60gf · cm
-----------------------------	-------------

(5) Temperature Condition:	
Operating Temperature	0°C ~ +60°C
Storage Temperature	-20°C ~ +70°C

(6) Input Power	> 0.5Watt
-----------------	-----------



Approval C.Y.Chang	Supervisor C.K.Chang	Designer F.L.Lai	Aperture size 5W3S(3.8*4.0)(4.06) 5HW02RB3
-----------------------	-------------------------	---------------------	--

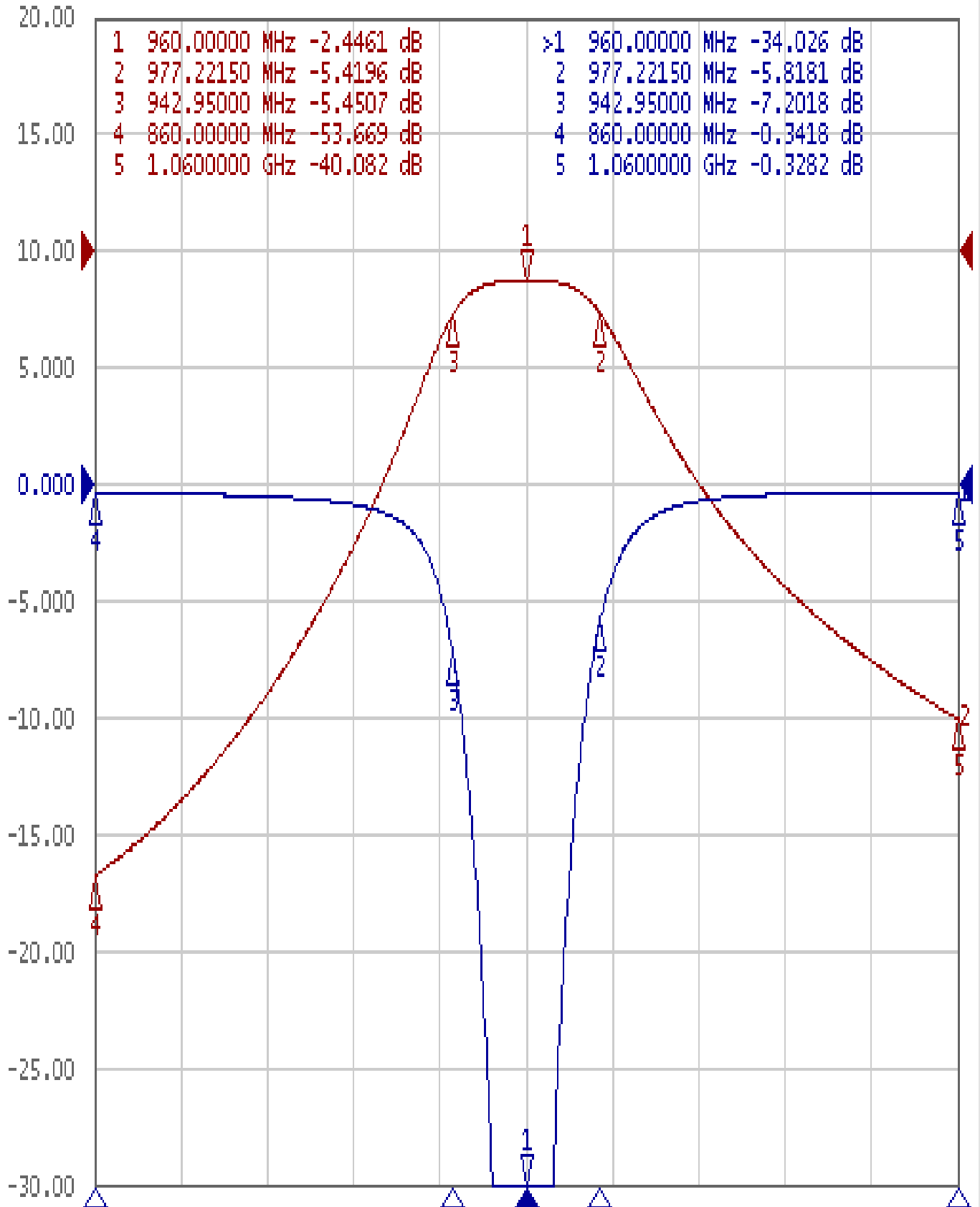
TEMWELL CORPORATION

Performance-TTW3570B-960M

201406024CD

Tr1 S11 Log Mag 5.000dB/ Ref 0.000dB [F2]

Tr2 S21 Log Mag 10.000dB/ Ref 0.000dB [F2]



1 Center 960 MHz

IFBW 10 kHz

Span 200 MHz Cor !