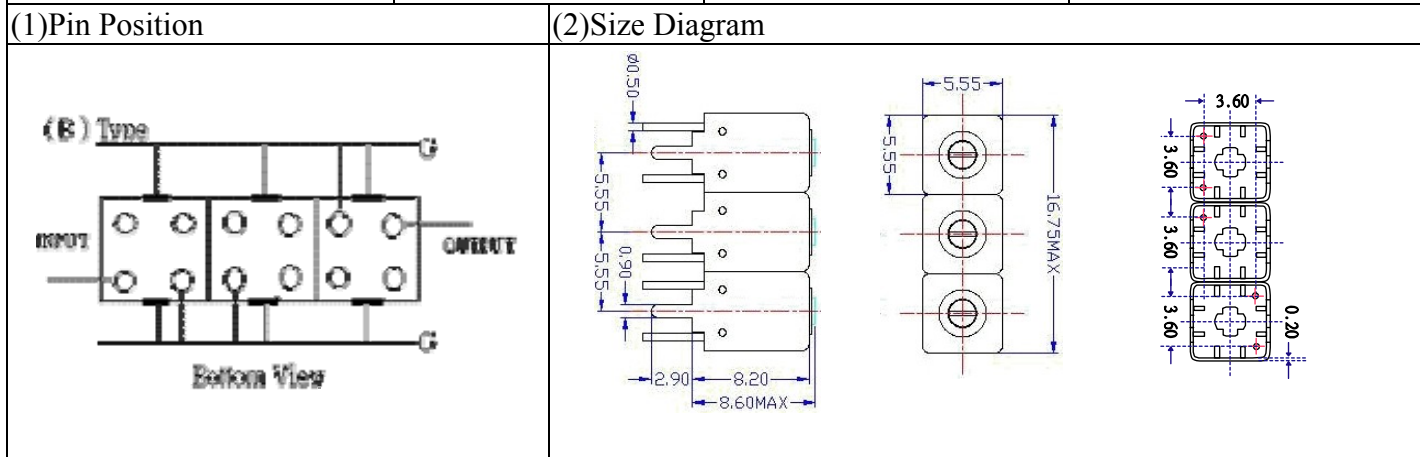


VHF UHF Helical Filter Specification Sheet

Customer Name		Temwell's Part No.	TTW3568B1-997M
Approval No. /dated	201406025CD	Temwell's Print Name.	3568B1 997M
Work Instruction No.	201406025CD	Date	Jun.25.2014



(3) Electric Character

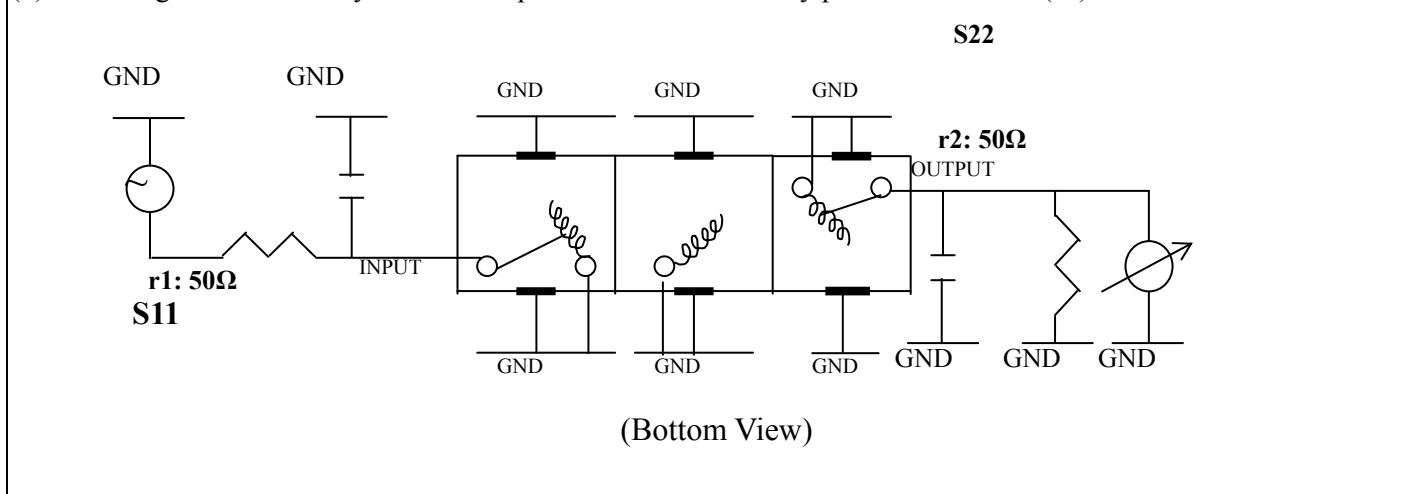
Item	Specify	Performance
Center Freq.(Fo) +/- 0.5 %	997 MHz	997 MHz
Insertion Loss	Typ. 5.0 dB	3.15 dB
-3 dB Bandwidth	Typ. 25 MHz	29.5 MHz
Sensitivity (Attenuation)	Fo - 100 MHz	Typ. 50 dBc
	Fo + 100 MHz	Typ. 40 dBc
	Fo - ()MHz	Typ. dBc
	Fo +()MHz	Typ. dBc
Return Loss	Min. 12 dB	19.3 dB
Ripple	< 1 dB	dB
Impedance	In / Out : 50 Ω	In / Out : 50 Ω
(4) Torque for Tuning Screw	> 60gf · cm	

(5) Temperature Condition:

Operating Temperature	0°C ~ +60°C
Storage Temperature	-20°C ~ +70°C

(6) Input Power

(7) Measuring Circuit: ※Easy to match Impedance S11/S22 50Ω by parallel with about(- -).

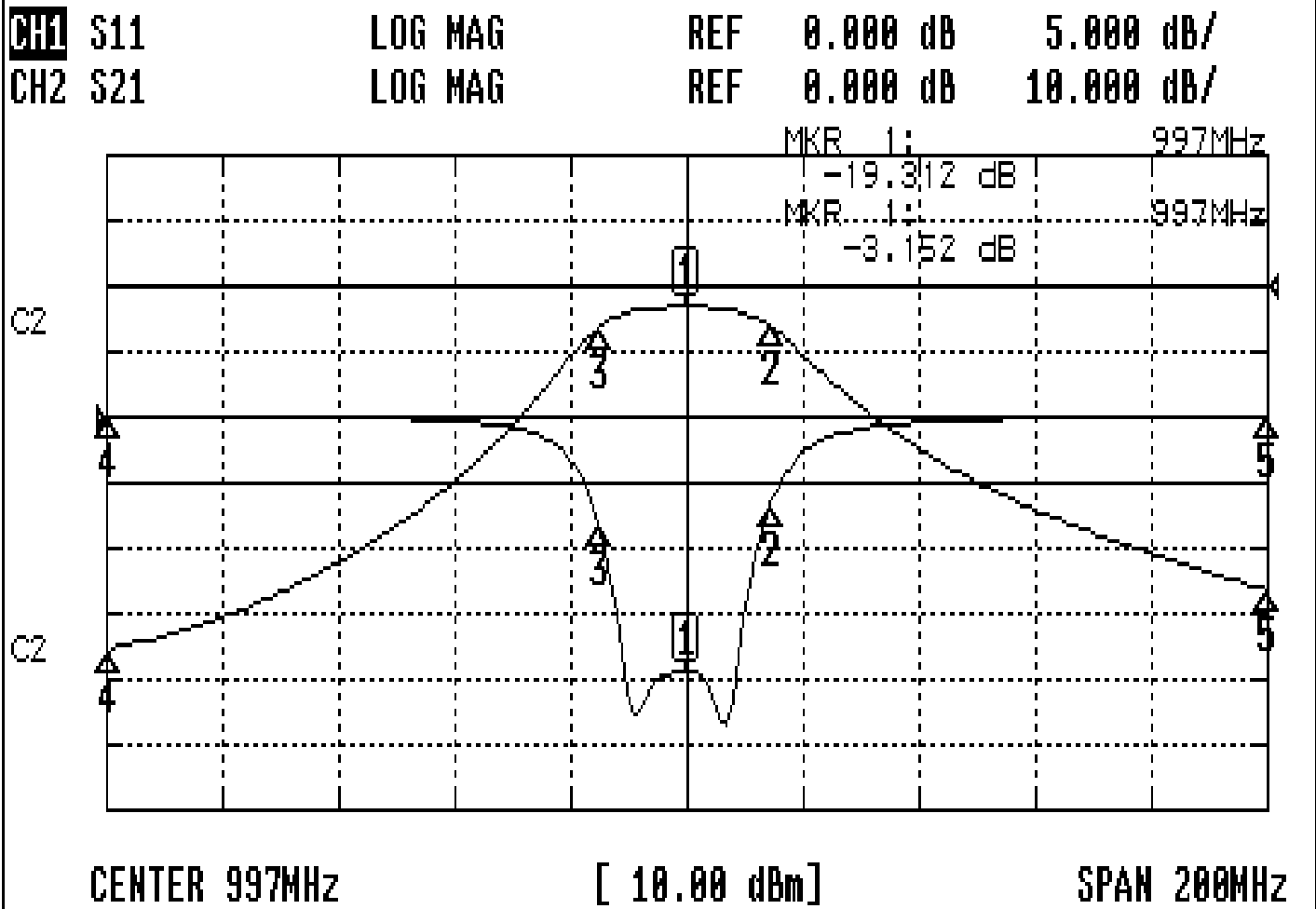


Approval C.Y.Chang	Supervisor C.K.Chang	Designer C.Ko.Chang	Aperture size 5W3S(3.8*3.5)(3.56) 5HW024RB3
-----------------------	-------------------------	------------------------	---

TEMWELL CORPORATION

Performance-TTW3568B1-997M

201406025CD



CH1 MARKER LIST

1:	997.000MHz	-19.312 dB
2:	1.011500GHz	-6.738 dB
3:	982.000MHz	-8.264 dB
4:	897.000MHz	0.052 dB
5:	1.097000GHz	0.052 dB

CH2 MARKER LIST

1:	997.000MHz	-3.152 dB
2:	1.011500GHz	-6.158 dB
3:	982.000MHz	-6.187 dB
4:	897.000MHz	-35.488 dB
5:	1.097000GHz	-46.369 dB