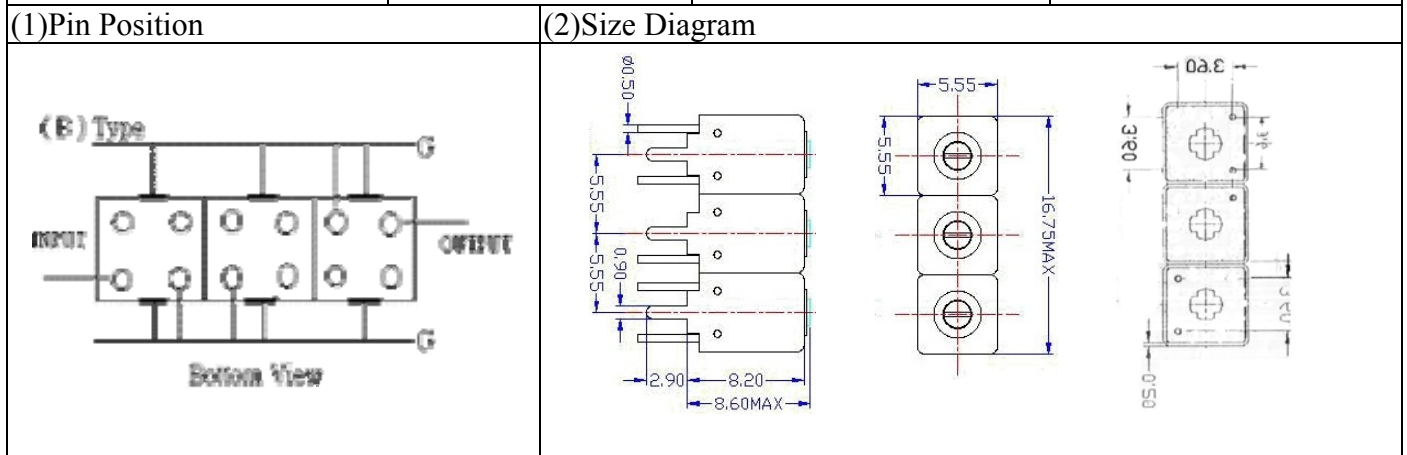


VHF UHF Helical Filter Specification Sheet

Customer Name		Temwell's Part No.	TTW3562B-1842.5M
Approval No. /dated	0904146CD	Temwell's Print Name.	3562B 1842.5M
Work Instruction No.	200904146CD	Date	Jun.22.2009



(3) Electric Character

Item	Specify	Performance	
Center Freq.(Fo) +/- 0.5 %	1842.5 MHz	1842.5 MHz	
Insertion Loss	Typ. 4.5 dB	3.79 dB	
-3 dB Bandwidth	Typ. 35 MHz	51.2 MHz	
Sensitivity (Attenuation)	Fo - 150 MHz	Typ. 41 dBc	44 dBc
	Fo + 150 MHz	Typ. 34 dBc	37 dBc
	Fo - ()MHz	Typ. dBc	dBc
	Fo + ()MHz	Typ. dBc	dBc
Return Loss	Min. 12 dB	28.6 dB	
Ripple	< 1 dB	dB	
Impedance	In / Out : 50 Ω	In / Out : 50 Ω	

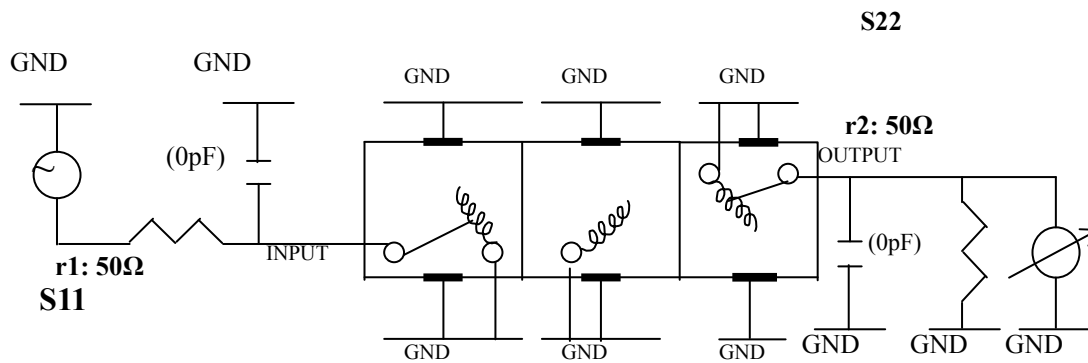
(4) Torque for Tuning Screw > 60gf · cm

(5) Temperature Condition:

Operating Temperature	0°C ~ +60°C
Storage Temperature	-20°C ~ +70°C

(6) Input Power > 0.5Watt

(7) Measuring Circuit: ※Easy to match Impedance S11/S22 50Ω by parallel with about(0pF) / (0pF).



(Bottom View)

Approval	Supervisor	Designer	Aperture size
C.Y.Chang	C.K.Chang	C.S.Chang	5W3(3.8*3.5)*(3.61) 5HW046RB3.2

TEMWELL CORPORATION

TEMWELL

Form10-5W3B Vision D

RP:(C.S.C)

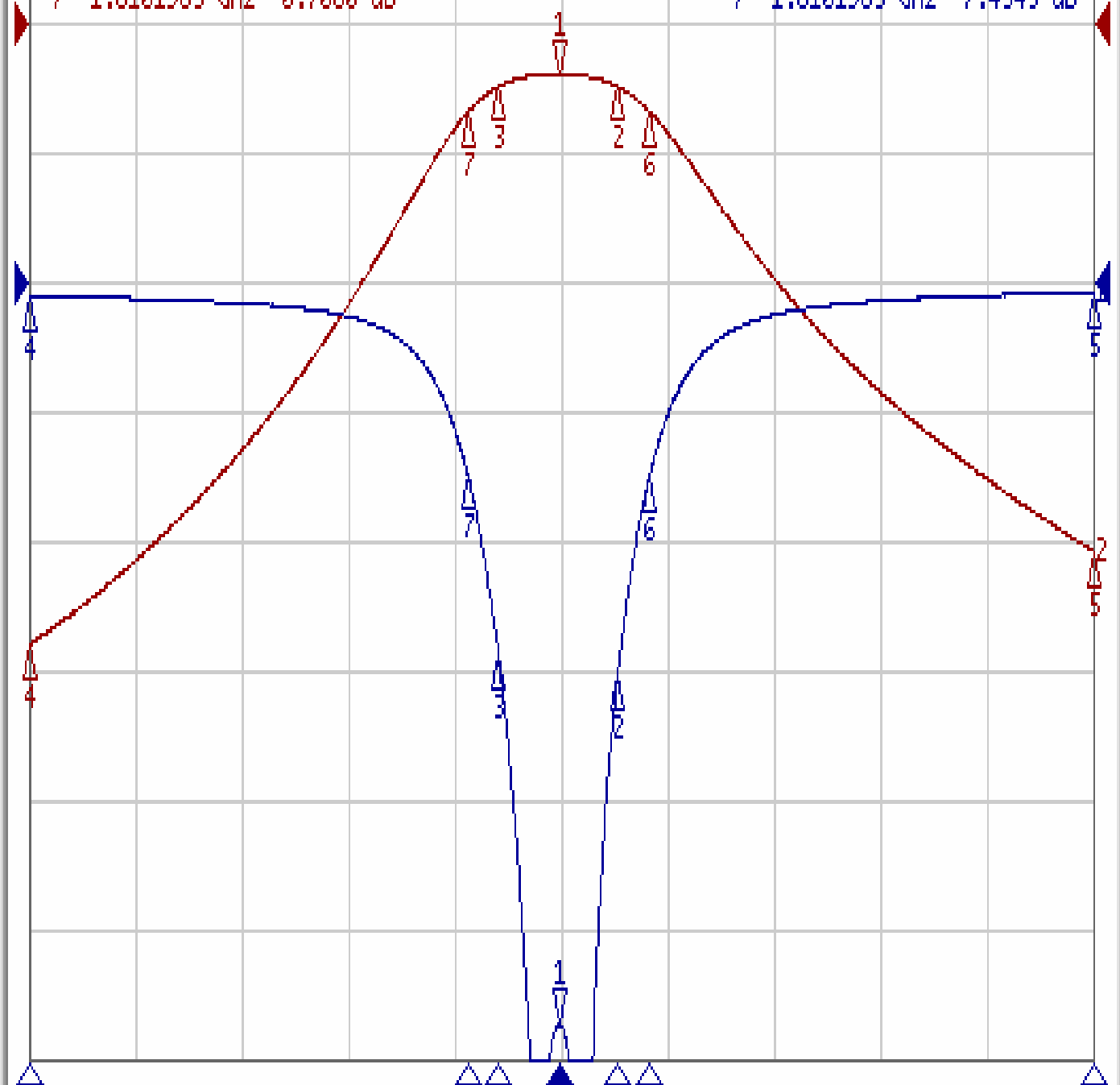
Performance-TTW3562B-1842.5M

200904146CD

Tr1 S11 Log Mag 5.000dB/ Ref 0.000dB [F4]
Tr2 S21 Log Mag 10.00dB/ Ref 0.000dB [F4]

1	1.8420000 GHz	-3.7976 dB
2	1.8584036 GHz	-4.7695 dB
3	1.8247826 GHz	-4.7768 dB
4	1.6925000 GHz	-47.843 dB
5	1.9925000 GHz	-40.748 dB
6	1.8673875 GHz	-6.6968 dB
7	1.8161983 GHz	-6.7606 dB

>1	1.8420000 GHz	-28.673 dB
2	1.8584036 GHz	-15.223 dB
3	1.8247826 GHz	-14.324 dB
4	1.6925000 GHz	-0.4526 dB
5	1.9925000 GHz	-0.3984 dB
6	1.8673875 GHz	-7.4541 dB
7	1.8161983 GHz	-7.4343 dB



1 Center 1.8425 GHz

IFBW 10 kHz

Span 300 MHz

