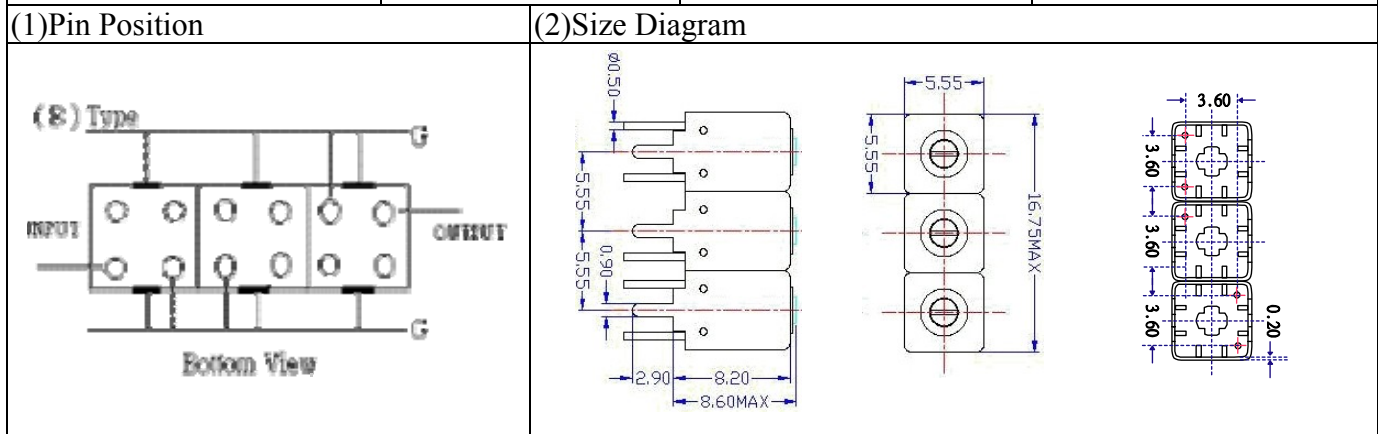


VHF UHF Helical Filter Specification Sheet

Customer Name		Temwell's Part No.	TTW3561B-1747.5M
Approval No. /dated	201407043CD	Temwell's Print Name.	3561B 1747.5M
Work Instruction No.	201407043CD	Date	Jul.11.2014



(3) Electric Character		Item	Specify	Performance
		Center Freq.(Fo) +/- 0.5 %	1747.5 MHz	1747.5 MHz
		Insertion Loss	Typ. 4.5 dB	3.41 dB
		-3 dB Bandwidth	Typ. 35 MHz	47.5 MHz
Sensitivity (Attenuation)	Fo - 150 MHz	Typ. 47 dBc		50 dBc
	Fo + 150 MHz	Typ. 37 dBc		41 dBc
	Fo - ()MHz	Typ. dBc		dBc
	Fo +()MHz	Typ. dBc		dBc
		Return Loss	Min. 12 dB	22.7 dB
		Ripple	< 1 dB	dB
		Impedance	In / Out : 50 Ω	In / Out : 50 Ω

(4) Torque for Tuning Screw > 60gf · cm

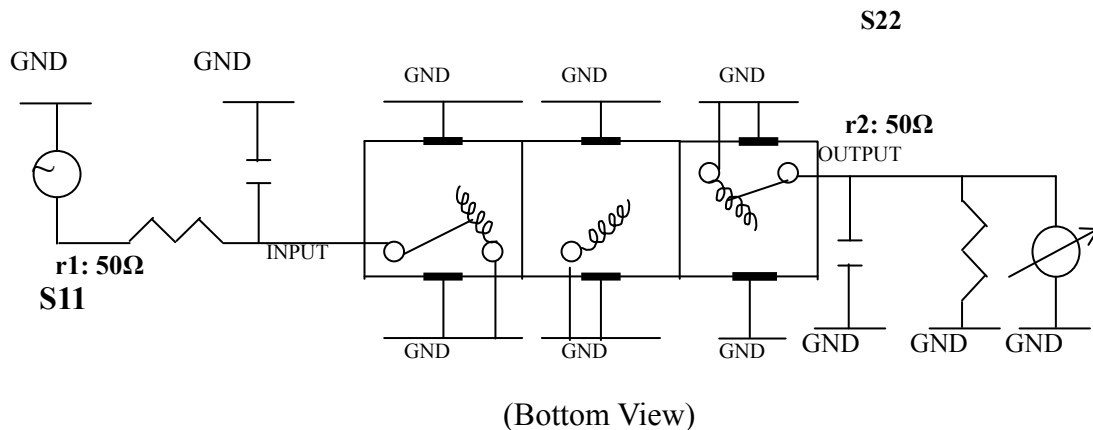
(5) Temperature Condition:

Operating Temperature 0°C ~ +60°C

Storage Temperature -20°C ~ +70°C

(6) Input Power > 0.5Watt

(7) Measuring Circuit: ※Easy to match Impedance S11/S22 50Ω by parallel with about(--) / (--).



Approval	Supervisor	Designer	Aperture size
C.Y.Chang	C.K.Chang	F.L.Lai	5W3S(3.8*3.5)(3.58) 5HW046RB3.2 (J1)

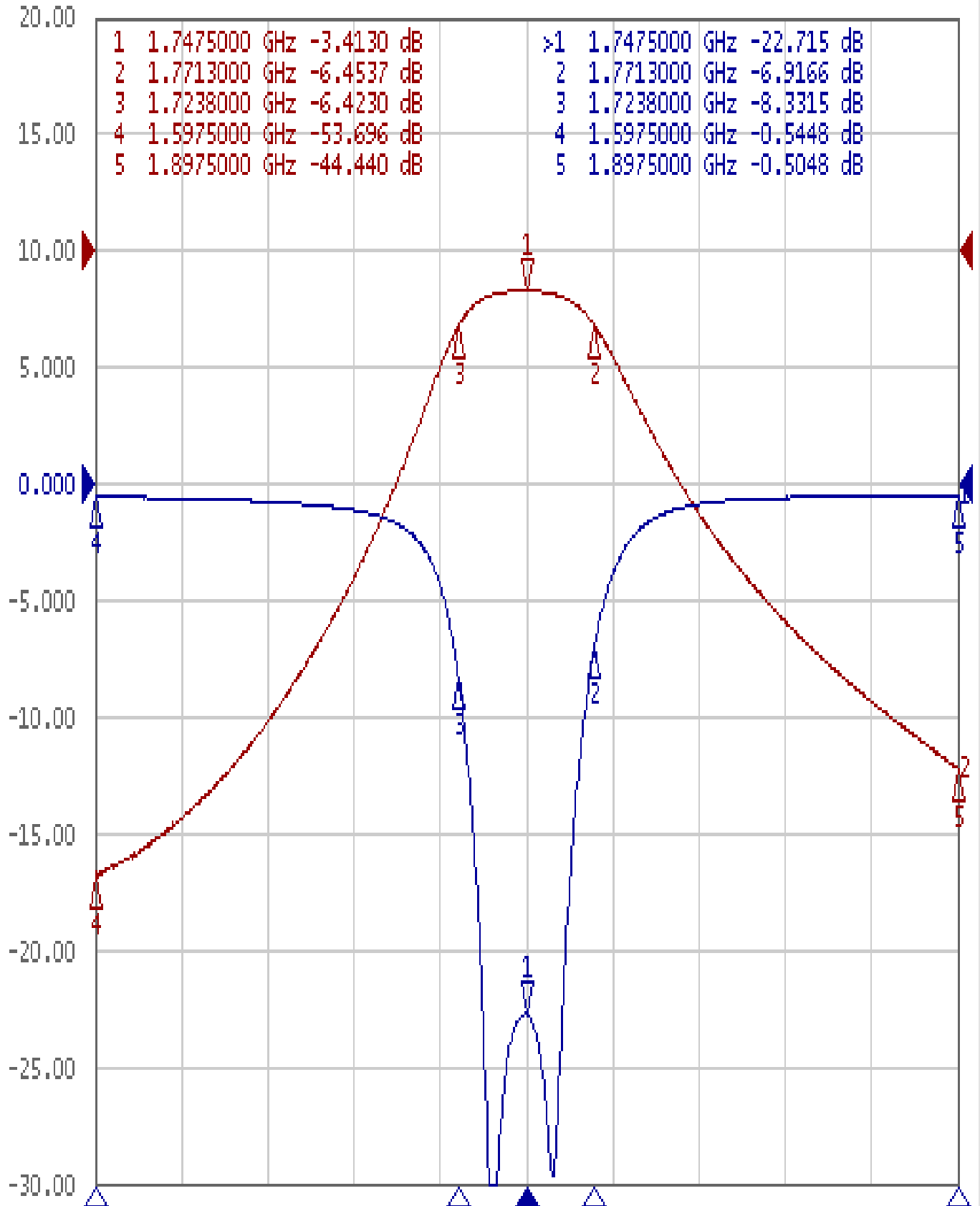
TEMWELL CORPORATION

Performance-TTW3561B-1747.5M

201407043CD

Tr1 S11 Log Mag 5.000dB/ Ref 0.000dB [F2]

Tr2 S21 Log Mag 10.000dB/ Ref 0.000dB [F2]



1 Center 1.7475 GHz

IFBW 10 kHz

Span 300 MHz Cor !