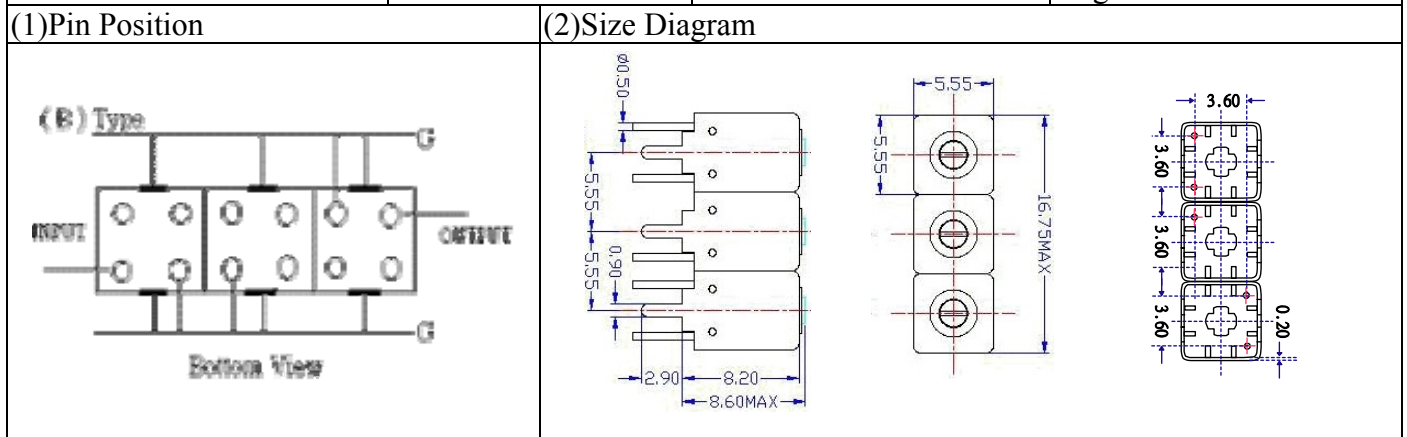
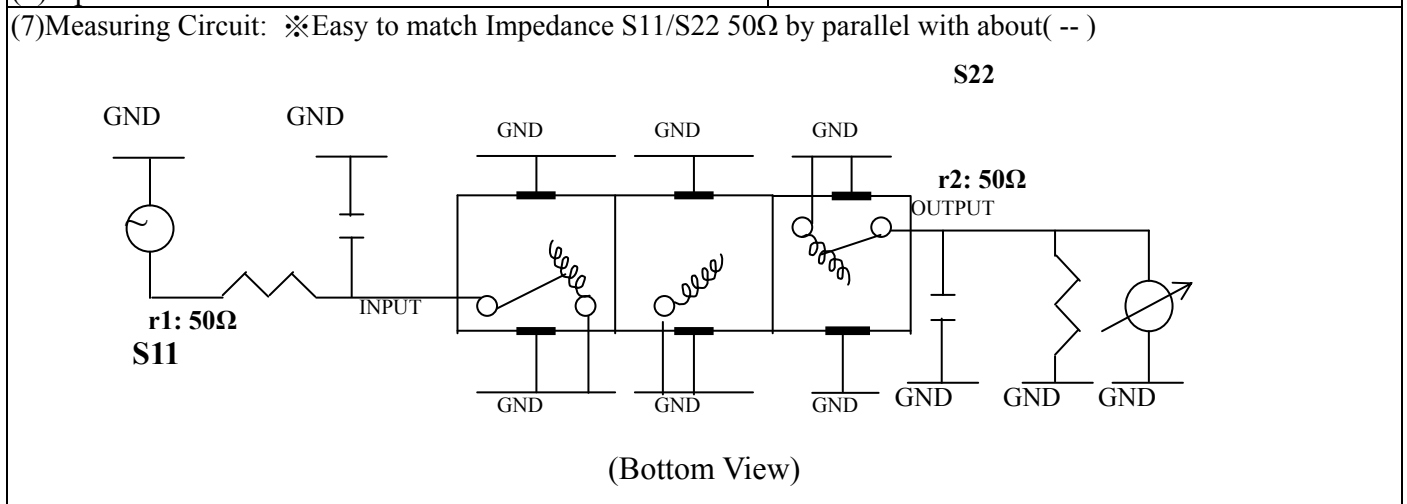


VHF UHF Helical Filter Specification Sheet

Customer Name		Temwell's Part No.	TTW3560B-1800M
Approval No. /dated	201407092CD	Temwell's Print Name.	3560B 1800M
Work Instruction No.	201407092CD	Date	Aug.11.2014



(3) Electric Character					
Item		Specify		Performance	
Center Freq.(Fo) +/- 0.5 %		1800 MHz		1800 MHz	
Insertion Loss		Typ. 5.0 dB		3.85 dB	
-3 dB Bandwidth		Typ. 30 MHz		41.5 MHz	
Sensitivity (Attenuation)	Fo - 100 MHz	Typ. 36 dBc		41 dBc	
	Fo + 100 MHz	Typ. 28 dBc		33 dBc	
	Fo - ()MHz	Typ. dBc		dBc	
	Fo +()MHz	Typ. dBc		dBc	
Return Loss		Min. 12 dB		24.7 dB	
Ripple		< 1 dB		dB	
Impedance		In / Out : 50 Ω		In / Out : 50 Ω	
(4) Torque for Tuning Screw		> 60gf · cm			
(5) Temperature Condition:					
Operating Temperature		0°C ~ +60°C			
Storage Temperature		-20°C ~ +70°C			
(6) Input Power		> 0.5Watt			

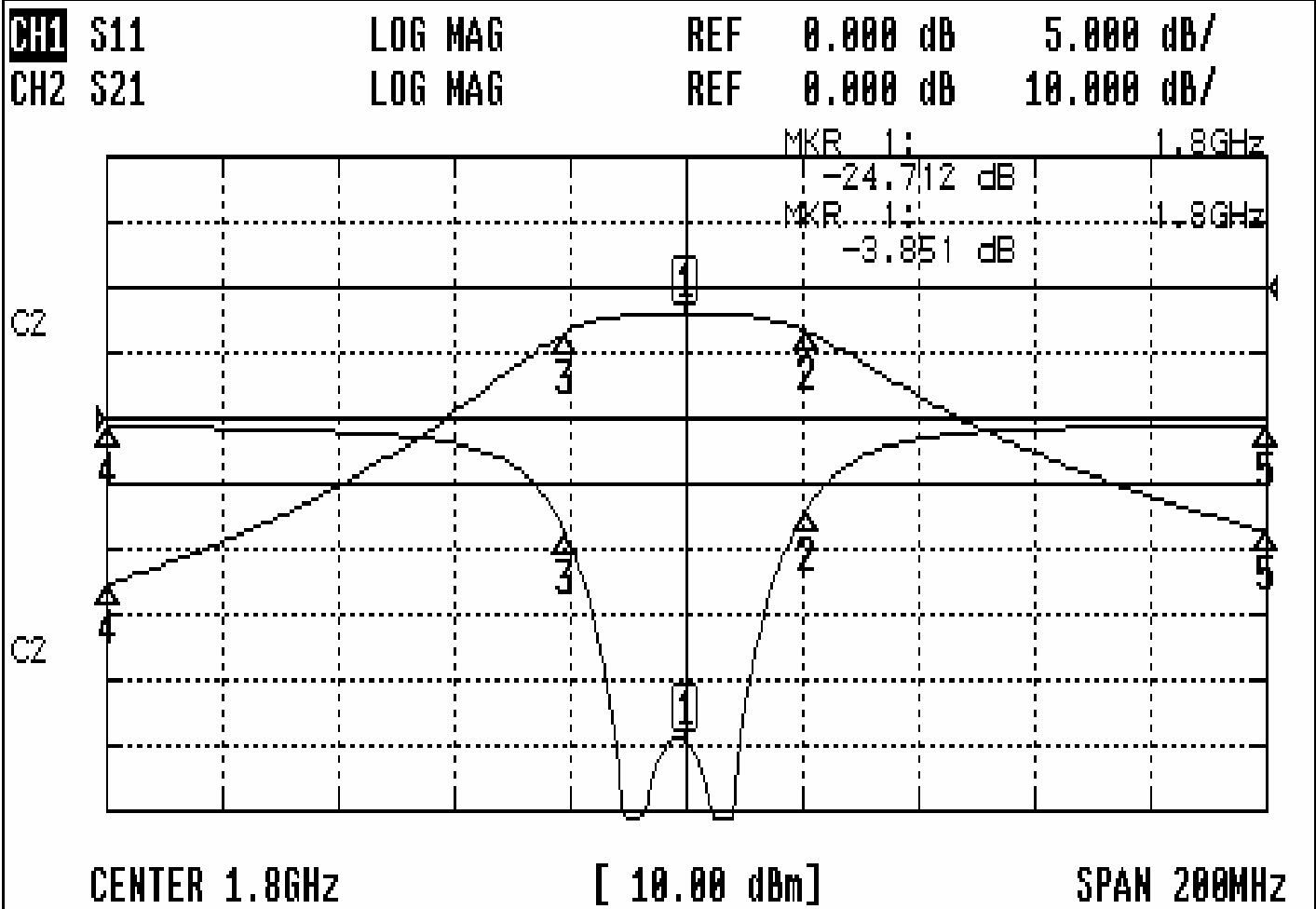


Approval	Supervisor	Designer	Aperture size
C.Y.Chang	C.K.Chang	M.Y.Kang	5W3S(3.8*3.5)(3.57) 5HW046RB3.2 (J1)

TEMWELL CORPORATION

Performance-TTW3560B-1800M

201407092CD



CH1 MARKER LIST

Marker	Freq (GHz)	Magnitude (dB)
1:	1.800 000	-24.712
2:	1.820 833	-16.899
3:	1.779 333	-8.812
4:	1.700 000	-0.631
5:	1.900 000	-0.529

CH2 MARKER LIST

Marker	Freq (GHz)	Magnitude (dB)
1:	1.800 000	-3.851
2:	1.820 833	-16.850
3:	1.779 333	-16.848
4:	1.700 000	-45.360
5:	1.900 000	-37.320