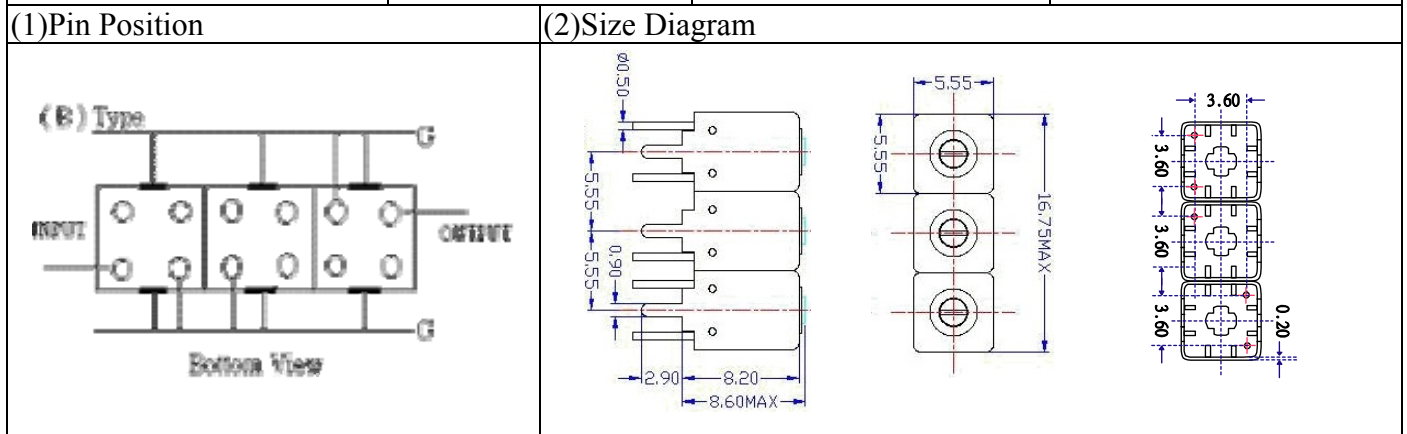


VHF UHF Helical Filter Specification Sheet

Customer Name		Temwell's Part No.	TTW3558B-1732.5M
Approval No. /dated	201407042CD	Temwell's Print Name.	3558B 1732.5M
Work Instruction No.	201407042CD	Date	Jul.09.2014



(3) Electric Character					
Item		Specify		Performance	
Center Freq.(Fo) +/- 0.5 %		1732.5 MHz		1732.5 MHz	
Insertion Loss		Typ. 4.5 dB		3.59 dB	
-3 dB Bandwidth		Typ. 32 MHz		45.6 MHz	
Sensitivity (Attenuation)	Fo - 150 MHz	Typ. 47 dBc		51 dBc	
	Fo + 150 MHz	Typ. 40 dBc		45 dBc	
	Fo - ()MHz	Typ. dBc		dBc	
	Fo +()MHz	Typ. dBc		dBc	
Return Loss		Min. 12 dB		21.0 dB	
Ripple		< 1 dB		dB	
Impedance		In / Out : 50 Ω		In / Out : 50 Ω	

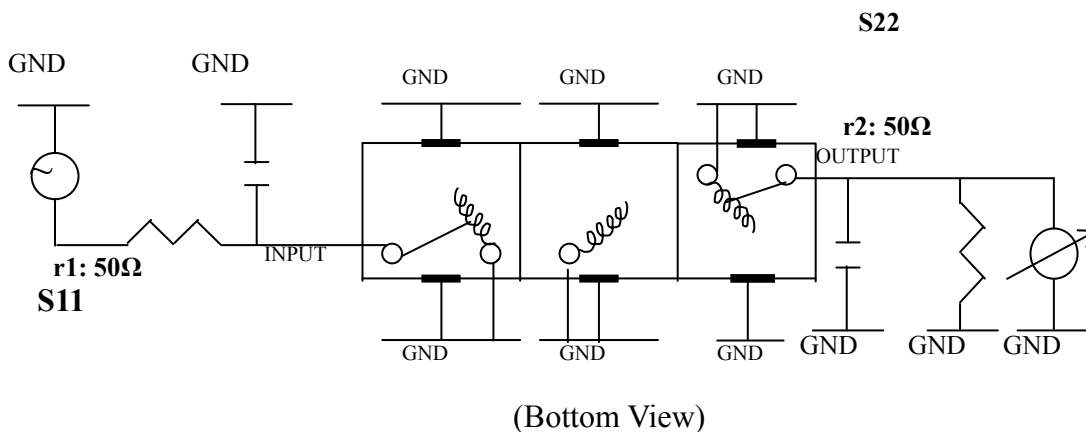
(4) Torque for Tuning Screw > 60gf · cm

(5) Temperature Condition:

Operating Temperature	0°C ~ +60°C
Storage Temperature	-20°C ~ +70°C

(6) Input Power > 0.5Watt

(7) Measuring Circuit: ※Easy to match Impedance S11/S22 50Ω by parallel with about(--) / (--).



Approval	Supervisor	Designer	Aperture size
C.Y.Chang	C.K.Chang	F.L.Lai	5W3S(3.8*4.0)(4.08) 5HW024RB3 (J1)

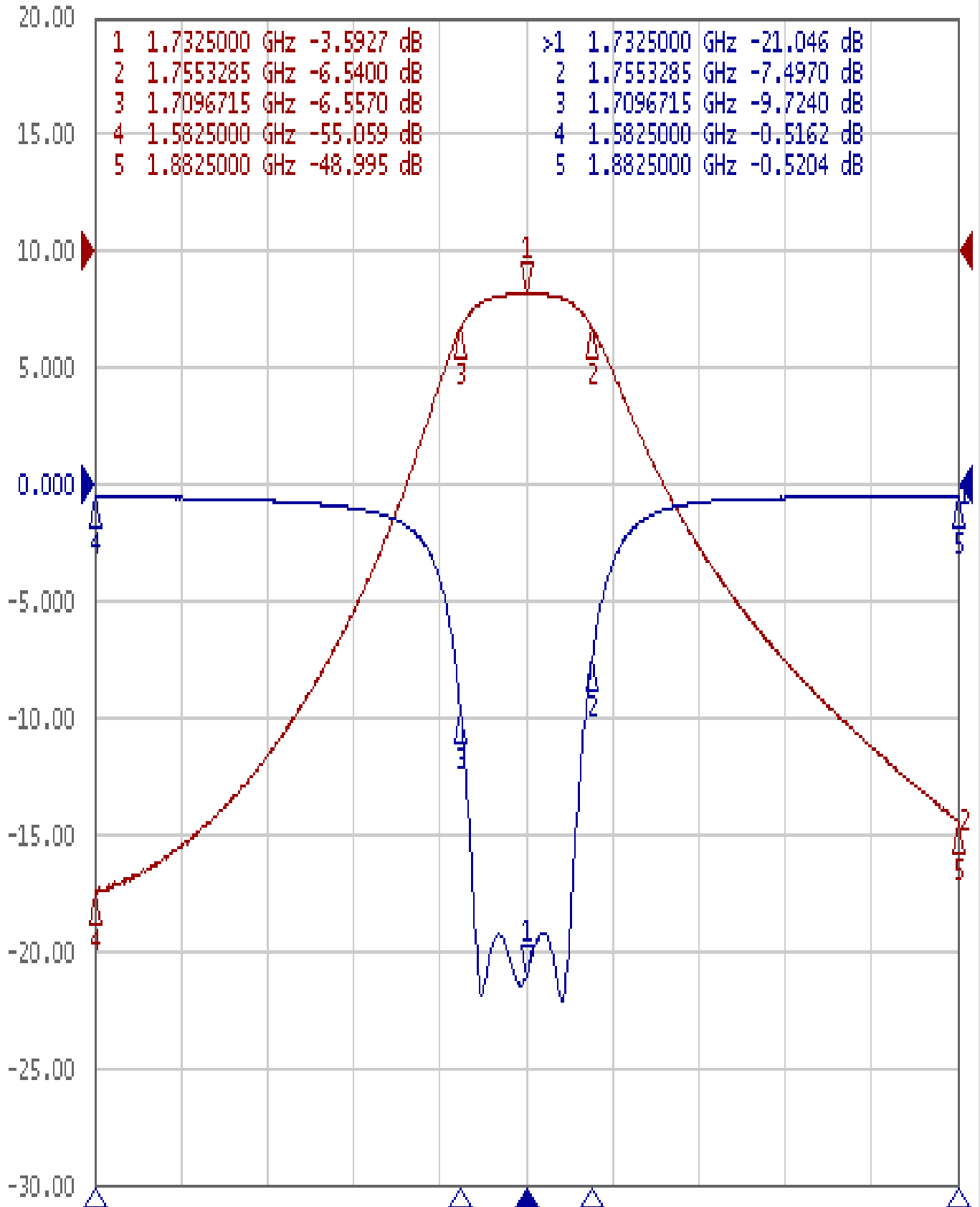
TEMWELL CORPORATION

Performance-TTW3558B-1732.5M

201407042CD

Tr1 S11 Log Mag 5.000dB/ Ref 0.000dB [F2]

Tr2 S21 Log Mag 10.000dB/ Ref 0.000dB [F2]



1 Center 1.7325 GHz

IFBW 10 kHz

Span 300 MHz Cor !