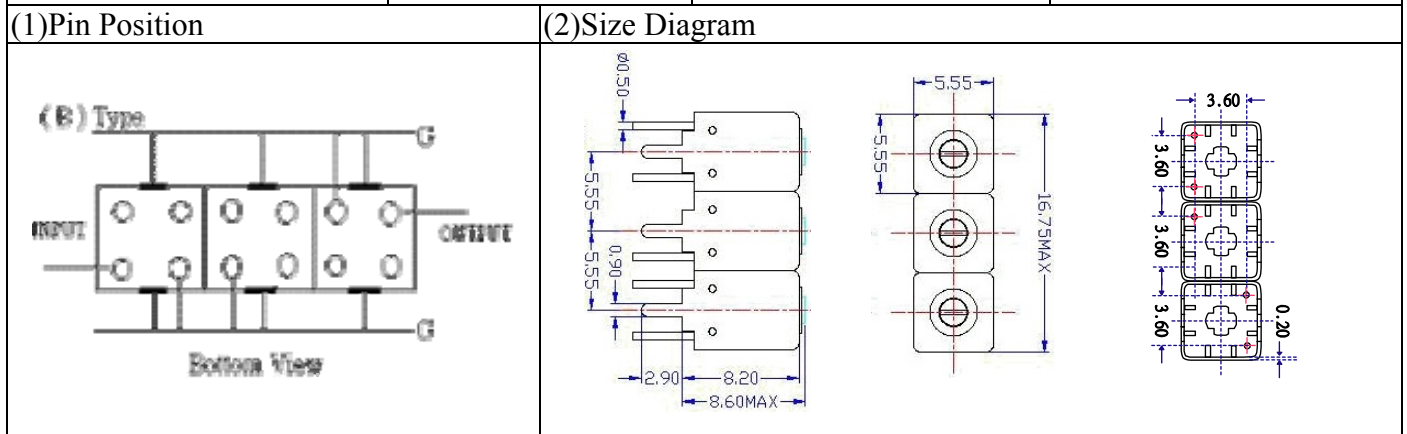


VHF UHF Helical Filter Specification Sheet

Customer Name		Temwell's Part No.	TTW3554B-1265.6M
Approval No. /dated	201407027CD	Temwell's Print Name.	3554B 1265.6M
Work Instruction No.	201407027CD	Date	Jul.09.2014



(3) Electric Character			
Item		Specify	Performance
Center Freq.(Fo) +/- 0.5 %		1265.6 MHz	1265.6 MHz
Insertion Loss		Typ. 4.5 dB	3.79 dB
-3 dB Bandwidth		Typ. 24 MHz	33.0 MHz
Sensitivity (Attenuation)	Fo - 50 MHz	Typ. 23 dBc	28 dBc
	Fo + 50 MHz	Typ. 16 dBc	22 dBc
	Fo - ()MHz	Typ. dBc	dBc
	Fo +()MHz	Typ. dBc	dBc
Return Loss		Min. 12 dB	23.5 dB
Ripple		< 1 dB	dB
Impedance		In / Out : 50 Ω	In / Out : 50 Ω

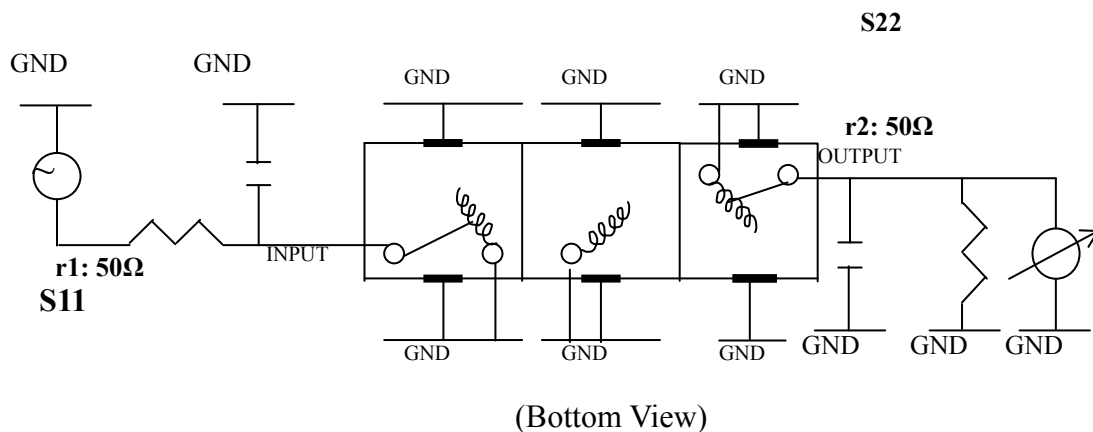
(4) Torque for Tuning Screw > 60gf · cm

(5) Temperature Condition:

Operating Temperature	0°C ~ +60°C
Storage Temperature	-20°C ~ +70°C

(6) Input Power > 0.5Watt

(7) Measuring Circuit: ※Easy to match Impedance S11/S22 50Ω by parallel with about(--)



Approval	Supervisor	Designer	Aperture size
C.Y.Chang	C.K.Chang	C.H.Yeh	5W3S(3.8*4.0)(4.09) 5HW02RB3

TEMWELL CORPORATION

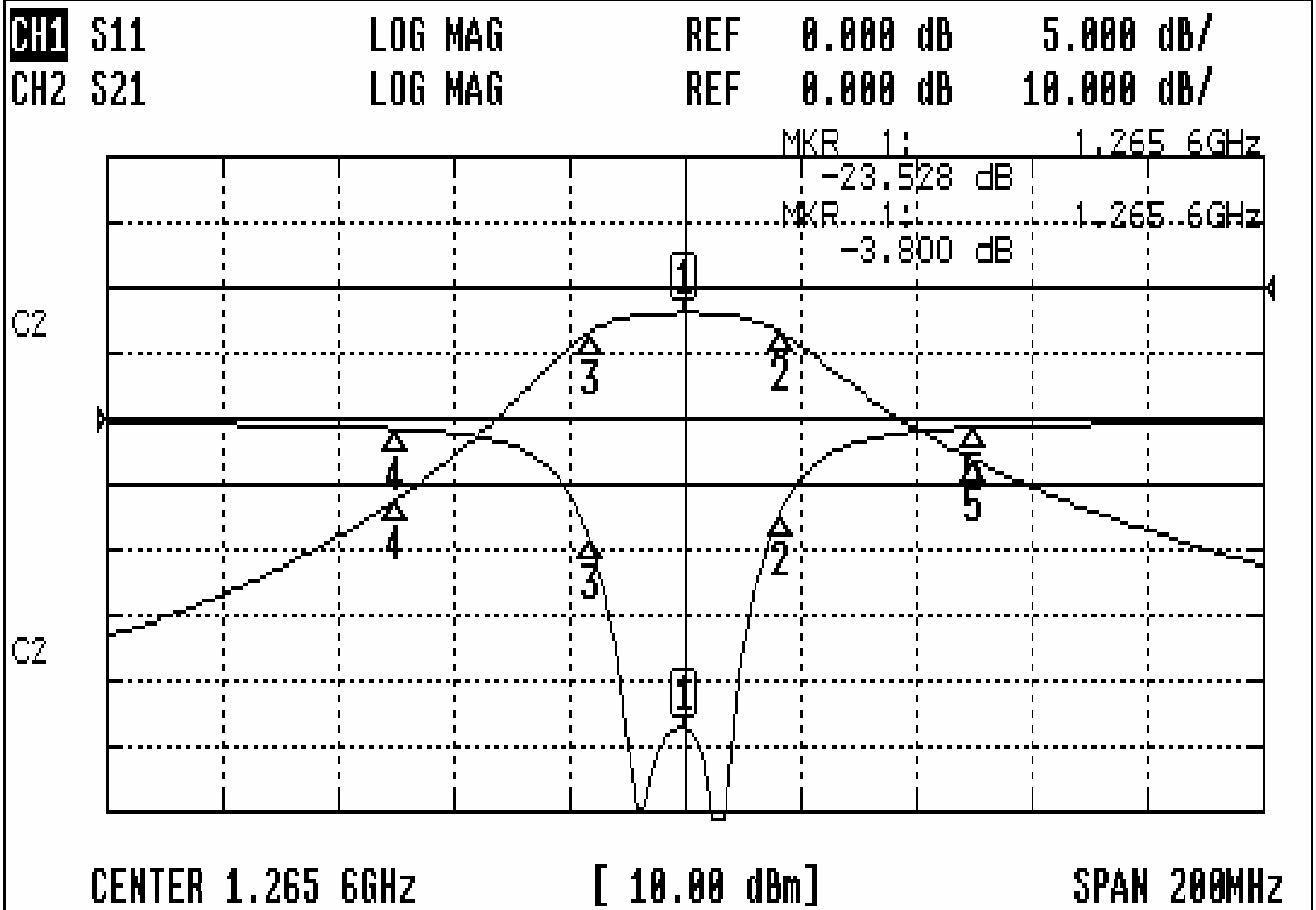
TEMWELL

Form10-5W3B Vision D

RP(C.H)

Performance-TTW3554B-1265.6M

201407027CD



CH1 MARKER LIST

Marker	Freq (GHz)	Magnitude (dB)
1	1.265	-23.528
2	1.282	-7.302
3	1.249	-9.086
4	1.215	-0.765
5	1.315	-0.655

CH2 MARKER LIST

Marker	Freq (GHz)	Magnitude (dB)
1	1.265	-3.799
2	1.282	-6.882
3	1.249	-6.844
4	1.215	-32.292
5	1.315	-26.322