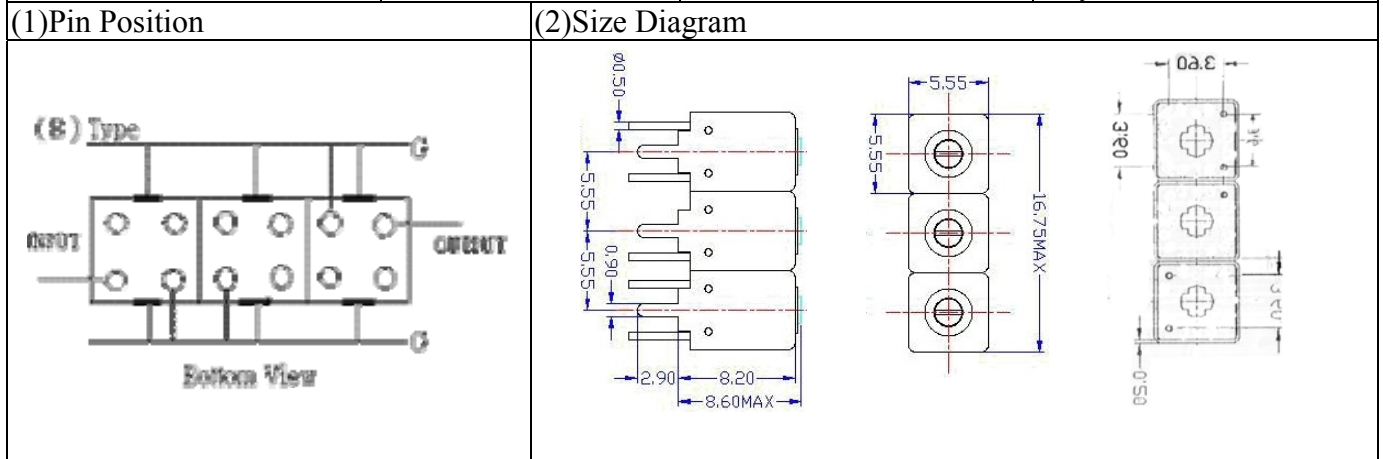


# VHF UHF Helical Filter Specification Sheet

Customer Name		Temwell's Part No.	TTW3551B-915M
Approval No. /dated	0904035CD	Temwell's Print Name.	3551B 915M
Work Instruction No.	200904035CD	Date	May.27.2009



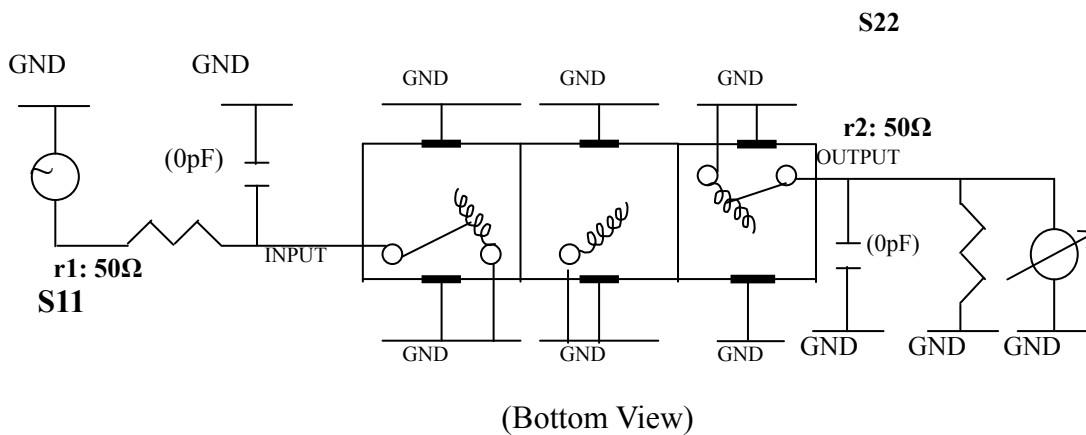
(3) Electric Character		Item	Specify	Performance
		Center Freq.(Fo) +/- 0.5 %	915 MHz	915 MHz
		Insertion Loss	Typ. 4.5 dB	3.80 dB
		-3 dB Bandwidth	Typ. 11 MHz	20.8 MHz
Sensitivity (Attenuation)	Fo - 50 MHz	Typ. 38 dBc		44 dBc
	Fo + 50 MHz	Typ. 31 dBc		31 dBc
	Fo - ( )MHz	Typ. dBc		dBc
	Fo + ( )MHz	Typ. dBc		dBc
		Return Loss	Min. 12 dB	26.7 dB
		Ripple	< 1 dB	dB
		Impedance	In / Out : 50 Ω	In / Out : 50 Ω

(4) Torque for Tuning Screw > 60gf · cm

(5) Temperature Condition:	
Operating Temperature	0°C ~ +60°C
Storage Temperature	-20°C ~ +70°C

(6) Input Power > 0.5Watt

(7) Measuring Circuit: ※Easy to match Impedance S11/S22 50Ω by parallel with about(0pF) / (0pF).



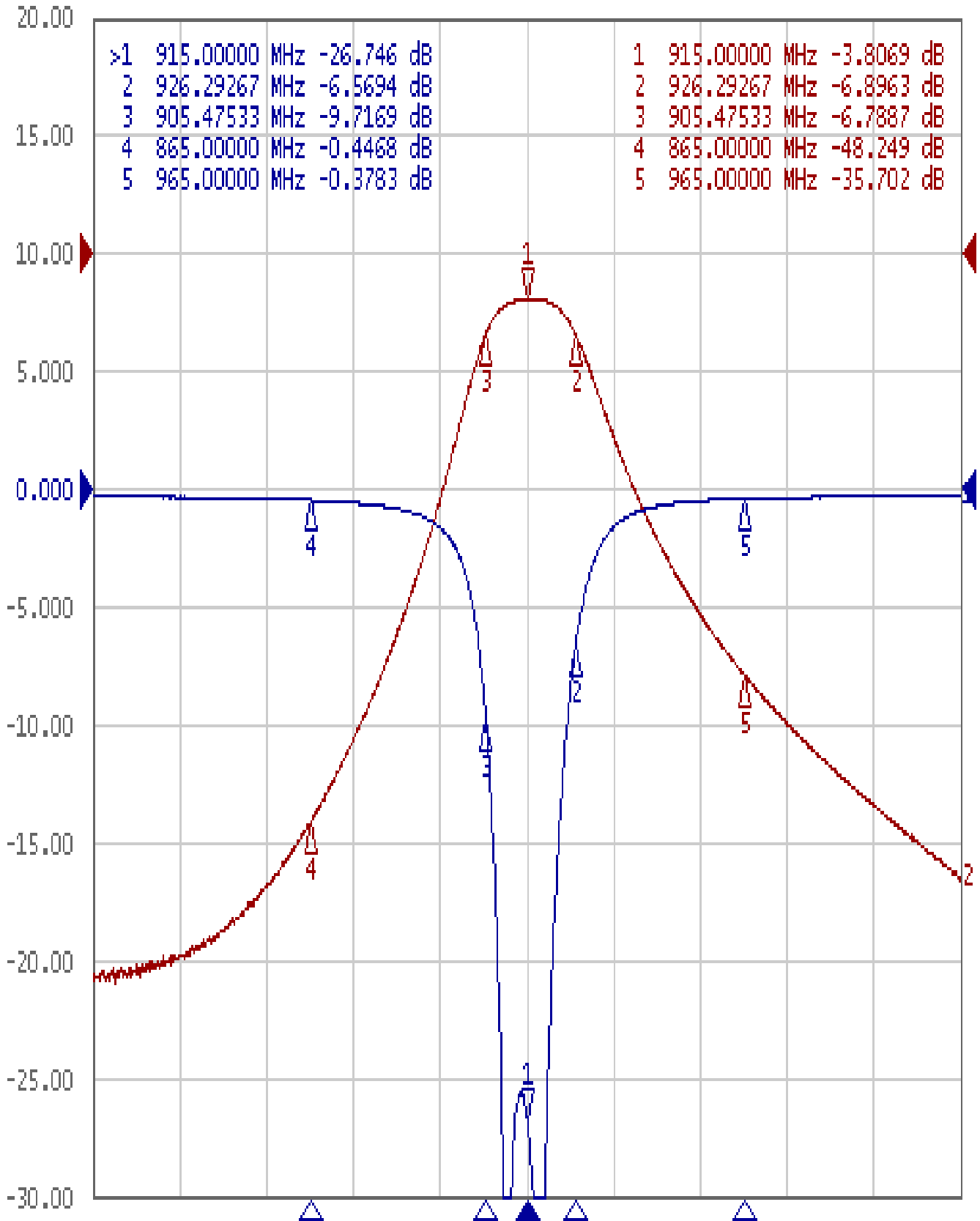
Approval	Supervisor	Designer	Aperture size
C.Y.Chang	C.K.Chang	C.S.Chang	5W3S(3.8*3.5)(3.61) 5HW024RB3

TEMWELL CORPORATION

# Performance-TTW3551B-915M

## 200904035CD

Tr1 S11 Log Mag 5.000dB/ Ref 0.000dB [F2]  
Tr2 S21 Log Mag 10.00dB/ Ref 0.000dB [F2]



1 Center 915 MHz

IFBW 10 kHz

Span 200 MHz

Cor |