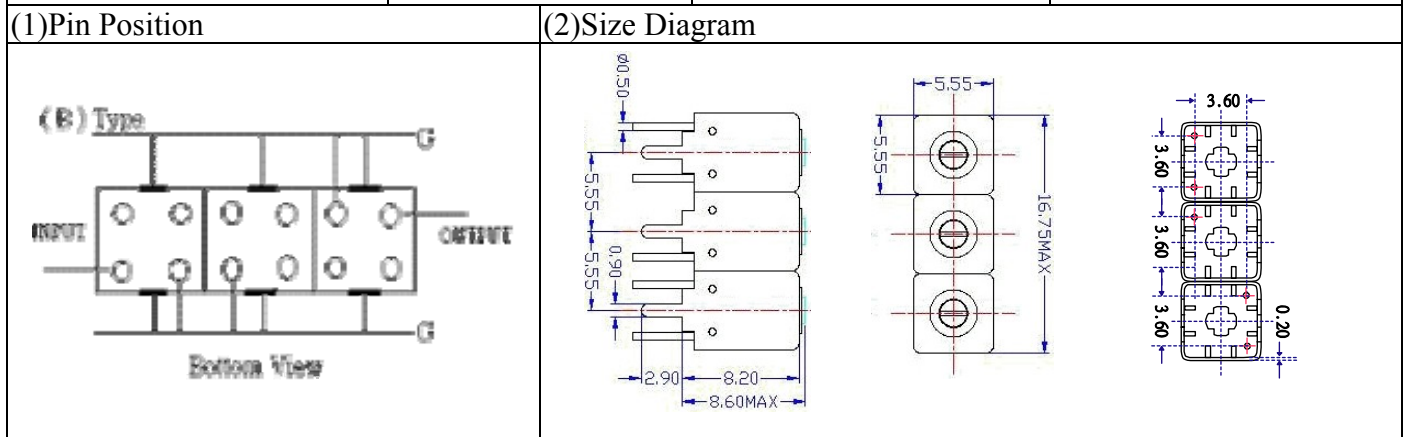
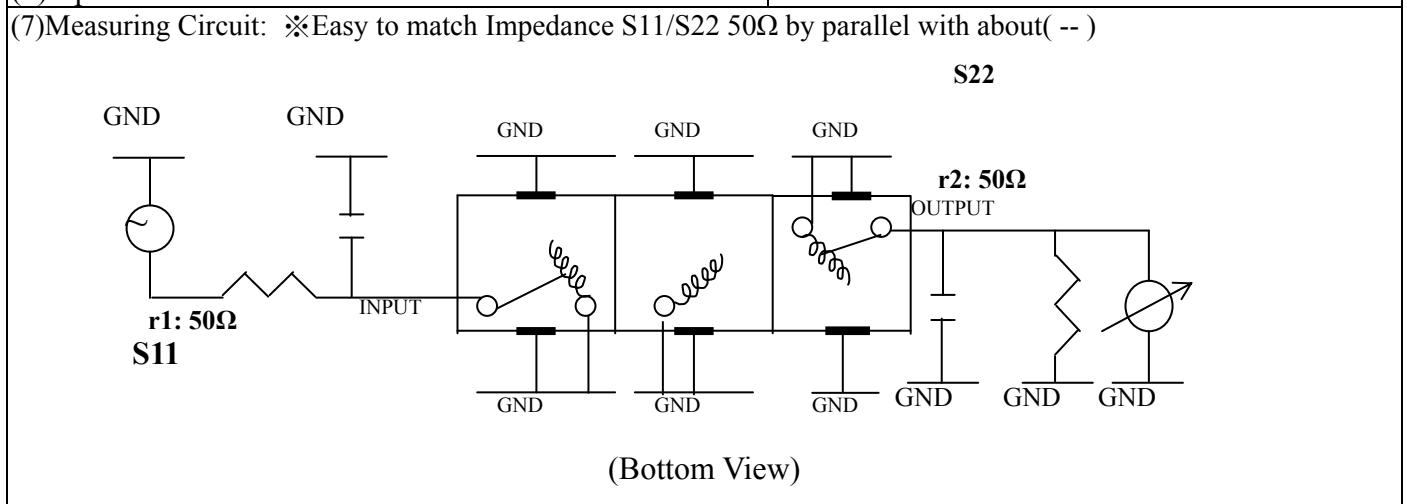


VHF UHF Helical Filter Specification Sheet

Customer Name		Temwell's Part No.	TTW3548B-1960M
Approval No. /dated	201407072CD	Temwell's Print Name.	3548B 1960M
Work Instruction No.	201407072CD	Date	Oct.23.2014



(3) Electric Character			
Item		Specify	Performance
Center Freq.(Fo) +/- 0.5 %		1960 MHz	1960 MHz
Insertion Loss		Typ. 3.5 dB	2.81 dB
-3 dB Bandwidth		Typ. 55 MHz	67.3 MHz
Sensitivity (Attenuation)	Fo - 100 MHz	Typ. 23 dBc	28 dBc
	Fo + 100 MHz	Typ. 16 dBc	21 dBc
	Fo - ()MHz	Typ. dBc	dBc
	Fo +()MHz	Typ. dBc	dBc
Return Loss		Min. 12 dB	24.9 dB
Ripple		< 1 dB	dB
Impedance		In / Out : 50 Ω	In / Out : 50 Ω
(4) Torque for Tuning Screw		> 60gf • cm	
(5) Temperature Condition:			
Operating Temperature		0°C ~ +60°C	
Storage Temperature		-20°C ~ +70°C	
(6) Input Power		> 0.5Watt	



Approval	Supervisor	Designer	Aperture size
C.Y.Chang	C.K.Chang	C.S.Chang	5W3S(3.8*4.5)(4.58) 5HW046RB3.2(J1)

TEMWELL CORPORATION

Performance-TTW3548B-1960M

201407072CD

