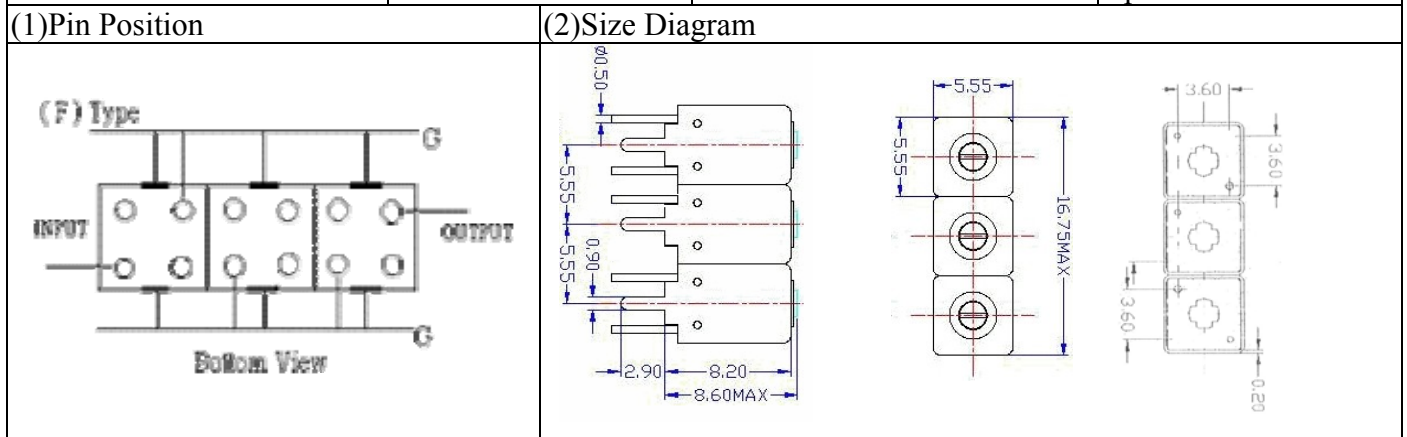


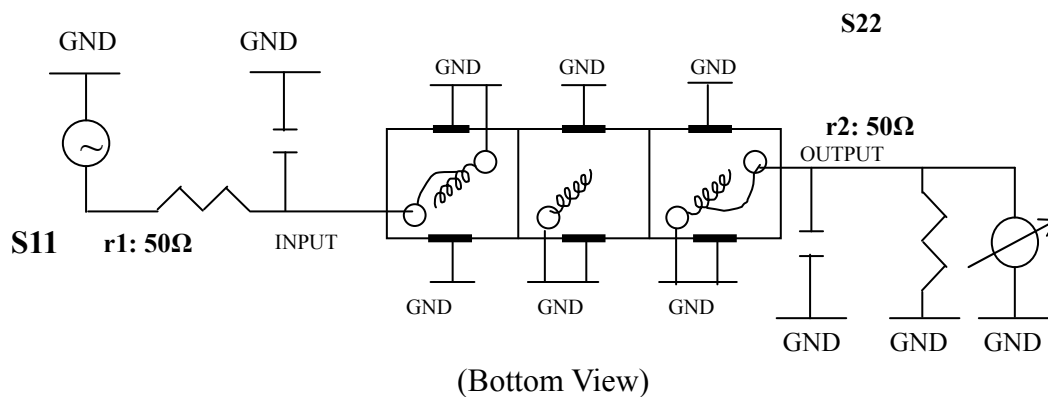
# VHF UHF Helical Filter Specification Sheet

Customer Name		Temwell's Part No.	TTW3547F-1950M
Approval No. /dated	201407075CD	Temwell's Print Name.	3547F 1950M
Work Instruction No.	201407075CD	Date	Apr.02.2015



Item		Specify	Performance
Center Freq.(Fo) +/- 0.5 %		1950 MHz	1950 MHz
Insertion Loss		Typ. 2.5 dB	1.77 dB
-3 dB Bandwidth		Typ. 77 MHz	91.9 MHz
Sensitivity (Attenuation)	Fo - 200 MHz	Typ. 26 dBc	29 dBc
	Fo + 200 MHz	Typ. 34 dBc	40 dBc
	Fo - ( )MHz	Typ. dBc	dBc
	Fo +( )MHz	Typ. dBc	dBc
Return Loss		Min 12 dB	38.1 dB
Ripple		< 1 dB	dB
Impedance		In / Out : 50 Ω	In / Out : 50 Ω
(4) Torque for Tuning Screw		> 60gf · cm	
(5) Temperature Condition:			
Operating Temperature		0°C ~ +60°C	
Storage Temperature		-20°C ~ +70°C	
(6) Input Power		> 0.5Watt	

(7) Measuring Circuit: ※Easy to match Impedance S11/S22 50Ω by parallel with about(--).



Approval	Supervisor	Designer	Aperture size
C.Y.Chang	C.K.Chang	C.S.Chang	5W3S(3.8*4.0)(4.05) 5HW046RB3.2/J1

TEMWELL CORPORATION

TEMWELL

Form10-5W3F Vision D

RP(C.S.C)

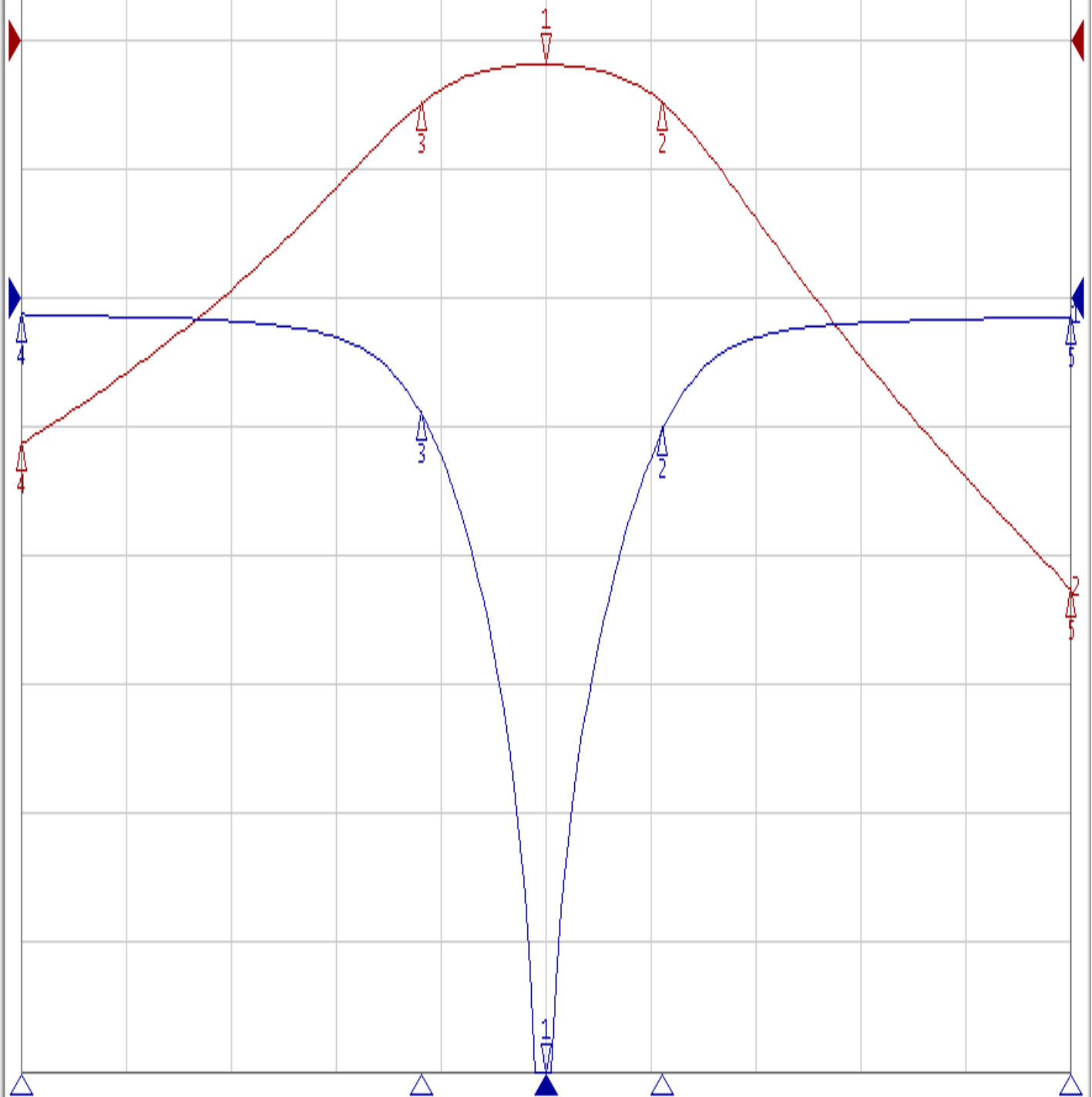
# Performance-TTW3547F-1950M

## 201407075CD

Tr1 S11 Log Mag 5.000dB/ Ref 0.000dB [F2]  
Tr2 S21 Log Mag 10.00dB/ Ref 0.000dB [F2]

1	1.9500000	GHz	-1.7796	dB
2	1.9946920	GHz	-4.7761	dB
3	1.9027350	GHz	-4.7779	dB
4	1.7500000	GHz	-31.189	dB
5	2.1500000	GHz	-42.500	dB

>1	1.9500000	GHz	-38.133	dB
2	1.9946920	GHz	-5.0246	dB
3	1.9027350	GHz	-4.4225	dB
4	1.7500000	GHz	-0.5897	dB
5	2.1500000	GHz	-0.6943	dB



1 Center 1.95 GHz

IFBW 10 kHz

Span 400 MHz Cor !