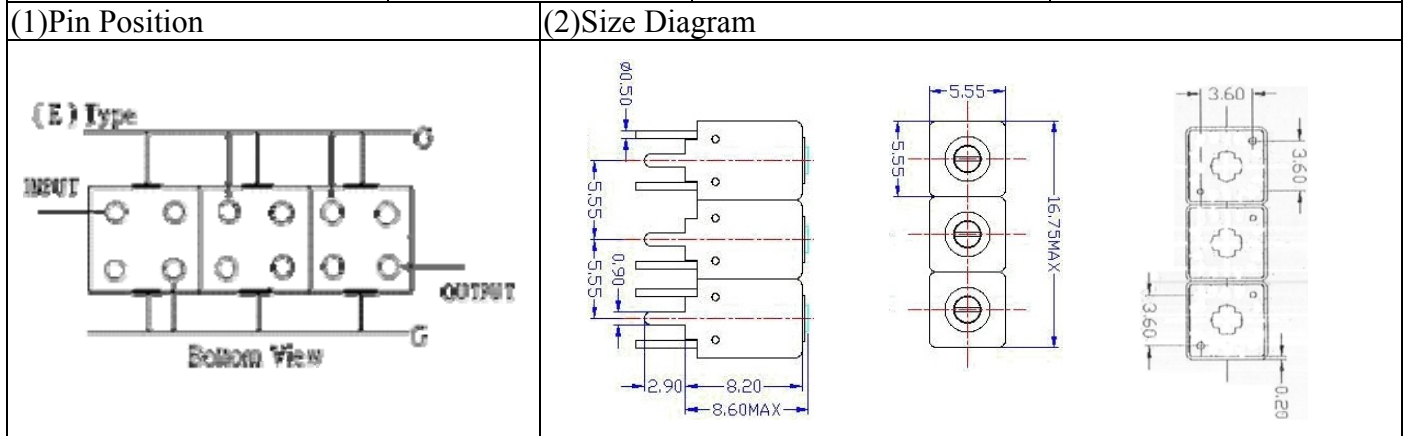
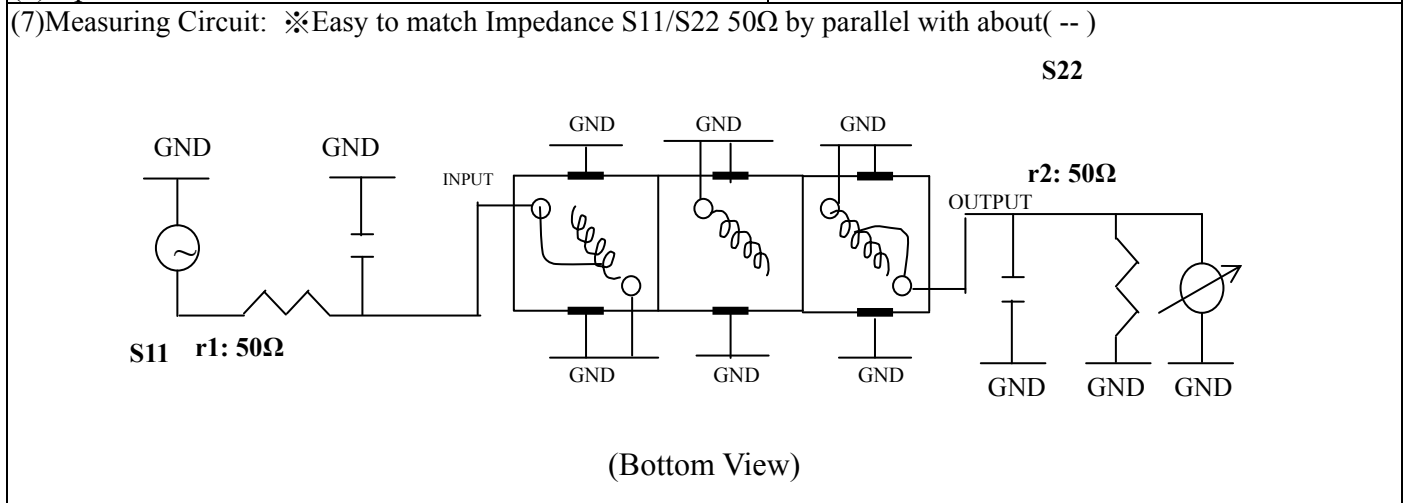


VHF UHF Helical Filter Specification Sheet

Customer Name		Temwell's Part No.	TTW3547E-1950M
Approval No. /dated	201407078CD	Temwell's Print Name.	3547E 1950M
Work Instruction No.	201407078CD	Date	Feb.11.2015



(3) Electric Character			
Item	Specify	Performance	
Center Freq.(Fo) +/- 0.5 %	1950 MHz	1950	MHz
Insertion Loss	Typ. 3.5 dB	2.36	dB
-3 dB Bandwidth	Typ. 51 MHz	65.1	MHz
Sensitivity (Attenuation)	Fo - 200 MHz	Typ. 45	dBc
	Fo +200 MHz	Typ. 29	dBc
	Fo - ()MHz	Typ.	dBc
	Fo +()MHz	Typ.	dBc
Return Loss	Min. 12 dB	25.6	dB
Ripple	< 1 dB		dB
Impedance	In / Out : 50 Ω	In / Out : 50 Ω	
(4) Torque for Tuning Screw			
> 60gf • cm			
(5) Temperature Condition:			
Operating Temperature	0°C ~ +60°C		
Storage Temperature	-20°C ~ +70°C		
(6) Input Power			
> 0.5Watt			



Approval	Supervisor	Designer	Aperture size
C.Y.Chang	C.K.Chang	C.S.Chang	5W3S(3.8*4.0)(4.06) 5HW046RB3.2 (J1)

TEMWELL CORPORATION

Performance-TTW3547E-1950M

201407078CD

Tr1 S11 Log Mag 5.000dB/ Ref 0.000dB [F2]
Tr2 S21 Log Mag 10.00dB/ Ref 0.000dB [F2]

