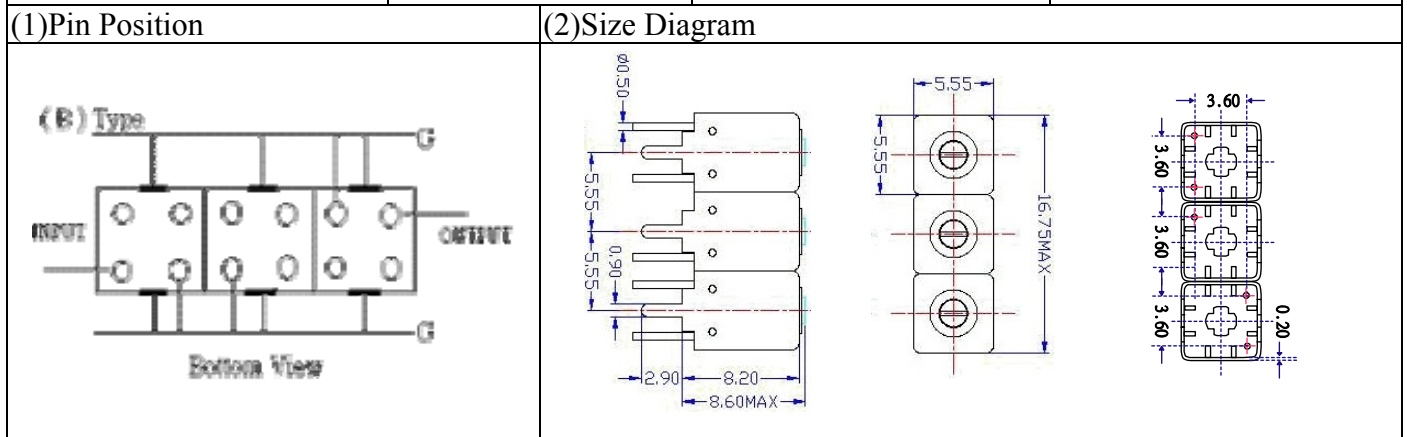
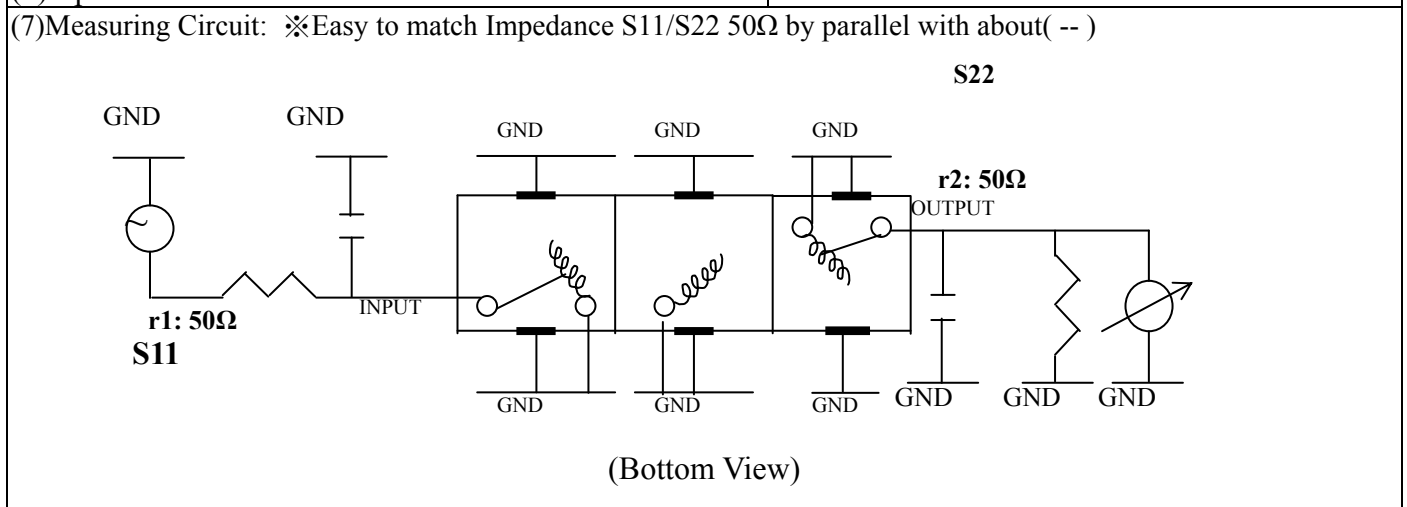


VHF UHF Helical Filter Specification Sheet

Customer Name		Temwell's Part No.	TTW3546B-1880M
Approval No. /dated	201407084CD	Temwell's Print Name.	3546B 1880M
Work Instruction No.	201407084CD	Date	Jan.07.2014



(3) Electric Character					
Item		Specify		Performance	
Center Freq.(Fo) +/- 0.5 %		1880 MHz		1880 MHz	
Insertion Loss		Typ. 4.0 dB		2.94 dB	
-3 dB Bandwidth		Typ. 48 MHz		61.2 MHz	
Sensitivity (Attenuation)	Fo - 200 MHz	Typ. 44 dBc		49 dBc	
	Fo + 200 MHz	Typ. 32 dBc		37 dBc	
	Fo - ()MHz	Typ. dBc		dBc	
	Fo +()MHz	Typ. dBc		dBc	
Return Loss		Min. 12 dB		24.3 dB	
Ripple		< 1 dB		dB	
Impedance		In / Out : 50 Ω		In / Out : 50 Ω	
(4) Torque for Tuning Screw		> 60gf • cm			
(5) Temperature Condition:					
Operating Temperature		0°C ~ +60°C			
Storage Temperature		-20°C ~ +70°C			
(6) Input Power		> 0.5Watt			



Approval	Supervisor	Designer	Aperture size
C.Y.Chang	C.K.Chang	C.S.Chang	5W3S(3.8*4.5)(4.58) 5HW046RB3.2(J1)

TEMWELL CORPORATION

Performance-TTW3546B-1880M

201407084CD

Tr1 S11 Log Mag 5.000dB/ Ref 0.000dB [F2]
Tr2 S21 Log Mag 10.00dB/ Ref 0.000dB [F2]

