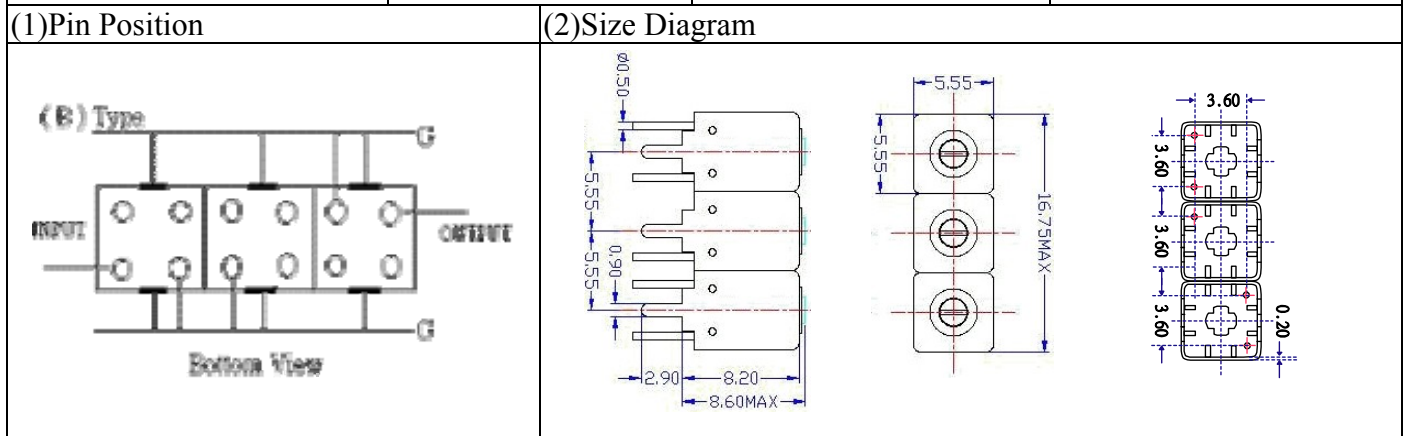


VHF UHF Helical Filter Specification Sheet

Customer Name		Temwell's Part No.	TTW3541B-1765M
Approval No. /dated	201407089CD	Temwell's Print Name.	3541B 1765M
Work Instruction No.	201407089CD	Date	Jul.10.2014



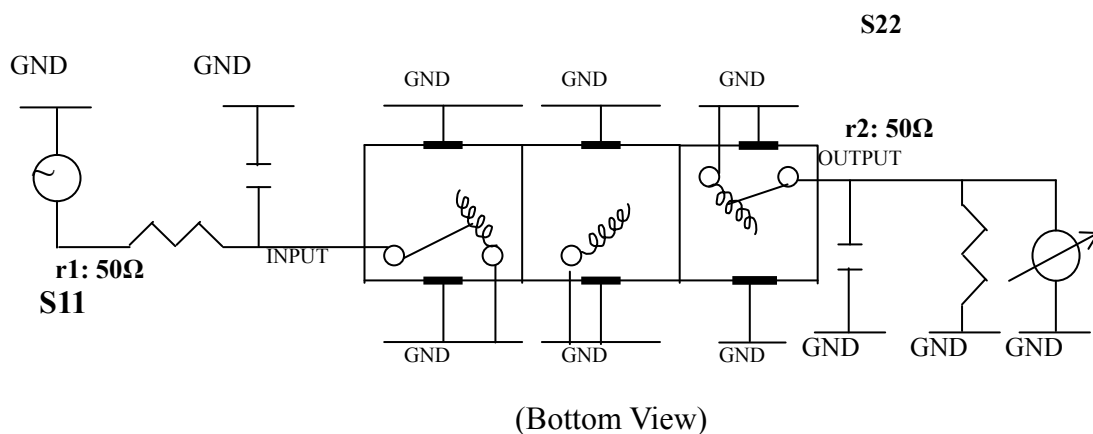
(3) Electric Character			
Item		Specify	Performance
Center Freq.(Fo) +/- 0.5 %		1765 MHz	1765 MHz
Insertion Loss		Typ. 3.5 dB	2.71 dB
-3 dB Bandwidth		Typ. 65 MHz	75.3 MHz
Sensitivity (Attenuation)	Fo - 200 MHz	Typ. 46 dBc	51 dBc
	Fo + 200 MHz	Typ. 33 dBc	38 dBc
	Fo - ()MHz	Typ. dBc	dBc
	Fo +()MHz	Typ. dBc	dBc
Return Loss		Min. 12 dB	20.0 dB
Ripple		< 1 dB	dB
Impedance		In / Out : 50 Ω	In / Out : 50 Ω

(4) Torque for Tuning Screw > 60gf · cm

(5) Temperature Condition:
 Operating Temperature 0°C ~ +60°C
 Storage Temperature -20°C ~ +70°C

(6) Input Power > 0.5Watt

(7) Measuring Circuit: ※Easy to match Impedance S11/S22 50Ω by parallel with about(--) / (--).



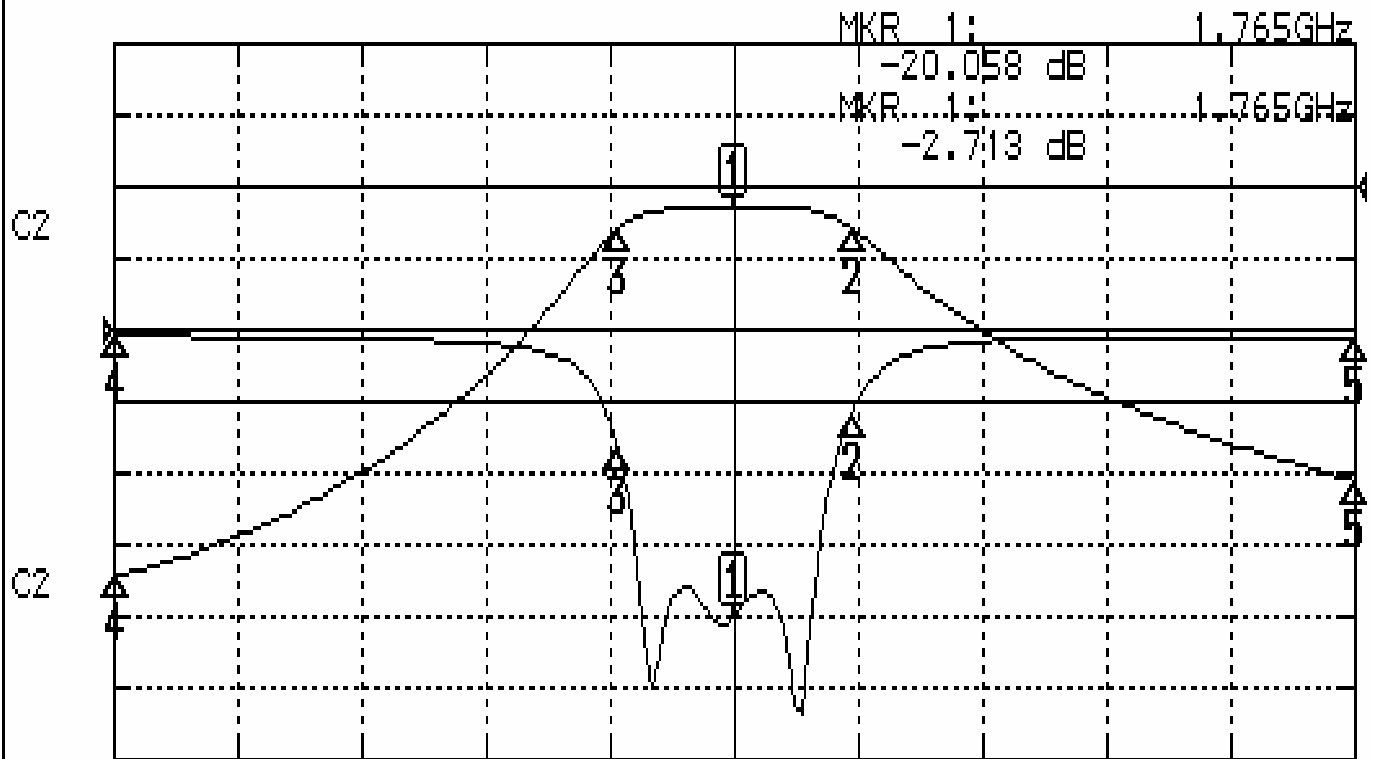
Approval	Supervisor	Designer	Aperture size
C.Y.Chang	C.K.Chang	J.Yang	5W3S(3.8*5.1)(5.12) 5HW046RB3.2(J1)

TEMWELL CORPORATION

Performance-TTW3541B-1765M

201407089CD

CH1 S11 LOG MAG REF 0.000 dB 5.000 dB/
CH2 S21 LOG MAG REF 0.000 dB 10.000 dB/



CENTER 1.765GHz

[10.00 dBm]

SPAN 400MHz

CH1 MARKER LIST

Marker	Frequency (GHz)	Magnitude (dB)
1	1.765000	-20.063
2	1.803000	-15.871
3	1.727666	-18.286
4	1.565000	-0.419
5	1.965000	-0.451

CH2 MARKER LIST

Marker	Frequency (GHz)	Magnitude (dB)
1	1.765000	-2.713
2	1.803000	-15.802
3	1.727666	-15.786
4	1.565000	-14.440
5	1.965000	-40.975