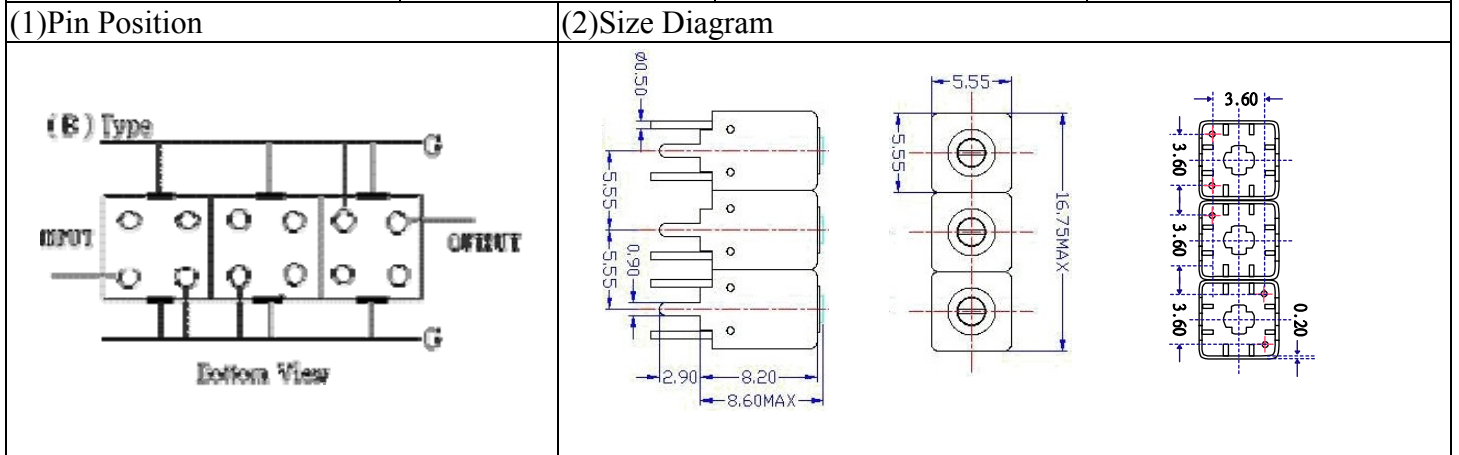


VHF UHF Helical Filter Specification Sheet

Customer Name		Temwell's Part No.	TTW3540B-920M
Approval No. /dated		Temwell's Print Name.	3540B 920M
Work Instruction No.	201406029CD	Date	Jun.19.2014



(3) Electric Character

Item	Specify	Performance
Center Freq.(Fo) +/- 0.5 %	920 MHz	920 MHz
Insertion Loss	Typ. 5.0 dB	3.84 dB
-3 dB Bandwidth	Typ. 13 MHz	20.3 MHz
Sensitivity (Attenuation)	Fo - 50 MHz	Typ. 39 dBc
	Fo + 50 MHz	Typ. 31 dBc
	Fo - ()MHz	Typ. dBc
	Fo +()MHz	Typ. dBc
Return Loss	Min. 12 dB	21.0 dB
Ripple	< 1 dB	dB
Impedance	In / Out : 50 Ω	In / Out : 50 Ω
(4) Torque for Tuning Screw	> 60gf · cm	

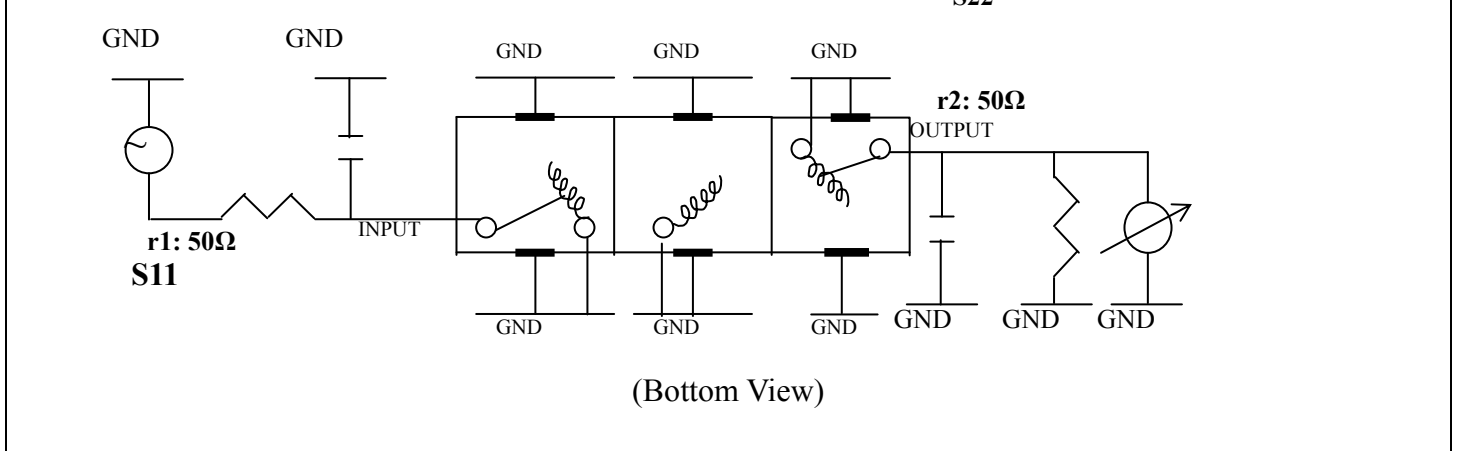
(5) Temperature Condition:

Operating Temperature	0°C ~ +60°C
Storage Temperature	-20°C ~ +70°C

(6) Input Power

> 0.5Watt

(7) Measuring Circuit: ※Easy to match Impedance S11/S22 50Ω by parallel with about(--) / (--).



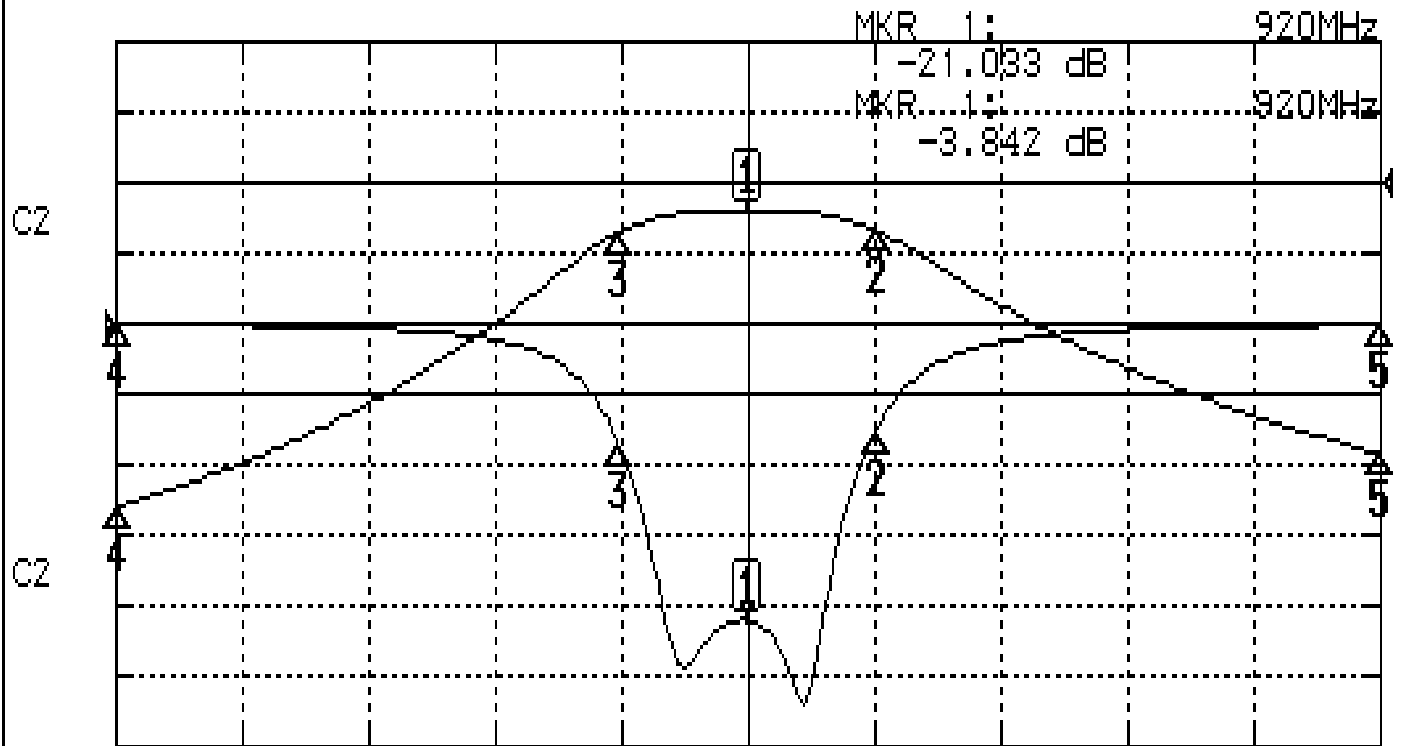
Approval	Supervisor	Designer	Aperture size
C.Y.Chang	C.K.Chang	M.Y.Kang	5W3S(3.8*3.5)(3.55) 5HW024RB3

TEMWELL CORPORATION

Performance-TTW3540B-920M

201406029CD

CH1 S11 LOG MAG REF 0.000 dB 5.000 dB/
CH2 S21 LOG MAG REF 0.000 dB 10.000 dB/



CENTER 920MHz

[10.00 dBm]

SPAN 100MHz

CH1 MARKER LIST

Marker	Frequency (MHz)	Magnitude (dB)
1	920.000	-21.033
2	930.250	-7.503
3	909.916	-8.704
4	870.000	-10.045
5	970.000	-10.100

CH2 MARKER LIST

Marker	Frequency (MHz)	Magnitude (dB)
1	920.000	-3.842
2	930.250	-6.870
3	909.916	-6.881
4	870.000	-14.111
5	970.000	-38.515