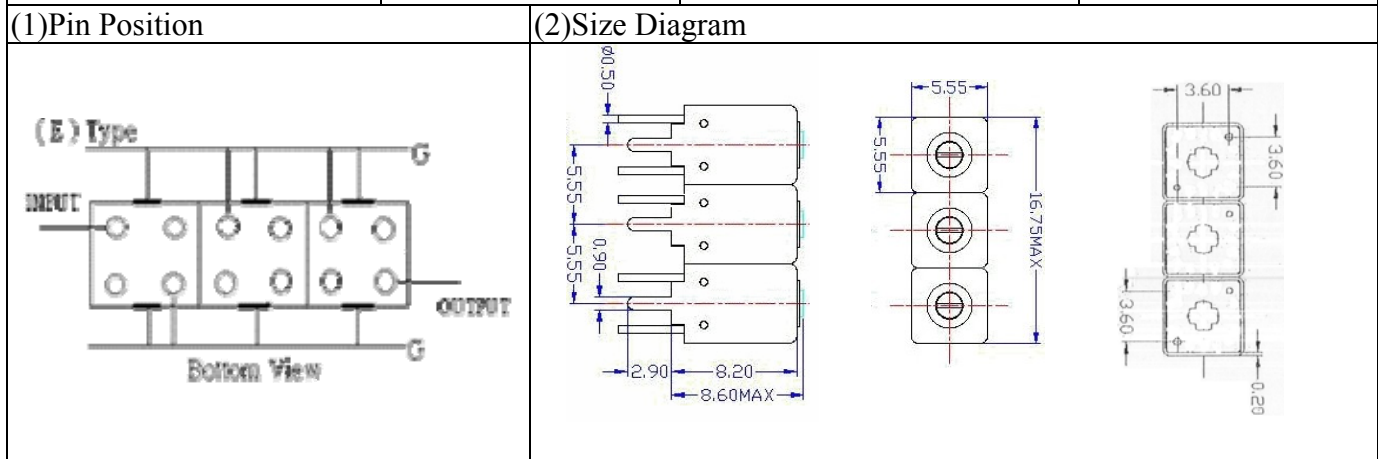


VHF UHF Helical Filter Specification Sheet

Customer Name		Temwell's Part No.	TTW3539E-1489M
Approval No. /dated	201407032CD	Temwell's Print Name.	3539E 1489M
Work Instruction No.	201407032CD	Date	Oct.14.2014



(3) Electric Characteristic

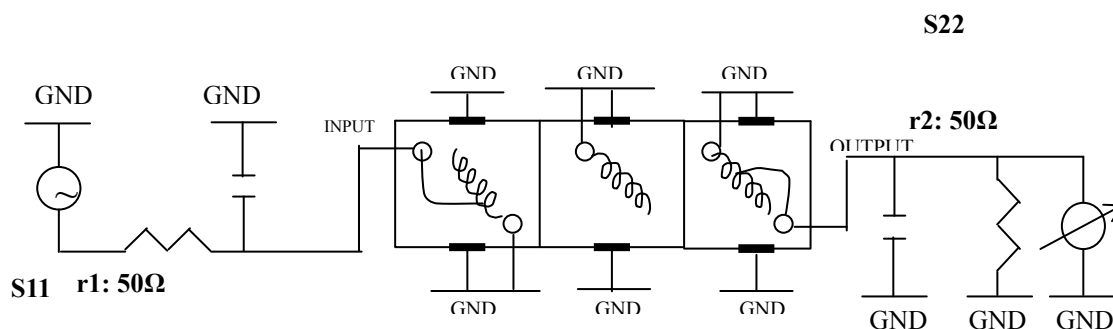
Item	Specify	Performance
Center Freq.(Fo) +/- 0.5 %	1489 MHz	1489 MHz
Insertion Loss	Typ. 4.0 dB	3.65 dB
-3 dB Bandwidth	Typ. 25 MHz	34.5 MHz
Sensitivity (Attenuation)	Fo - 100 MHz	Typ. 41 dBc
	Fo +100 MHz	Typ. 29 dBc
	Fo - ()MHz	Typ. dBc
	Fo +()MHz	Typ. dBc
Return Loss	Min. 12 dB	20.7 dB
Ripple	< 1 dB	dB
Impedance	In / Out : 50 Ω	In / Out : 50 Ω
(4) Torque for Tuning Screw	> 60gf · cm	

(5) Temperature Condition:

Operating Temperature	0°C ~ +60°C
Storage Temperature	-20°C ~ +70°C

(6) Input Power

(7) Measuring Circuit: ※Easy to match Impedance S11/S22 50Ω by parallel with about(- -).



(Bottom View)

Approval	Supervisor	Designer	Aperture size
C.Y.Chang	C.K.Chang	M.Y.Kang	5W3S(3.8*3.5)(3.55) 5HW024RB3 (J1)

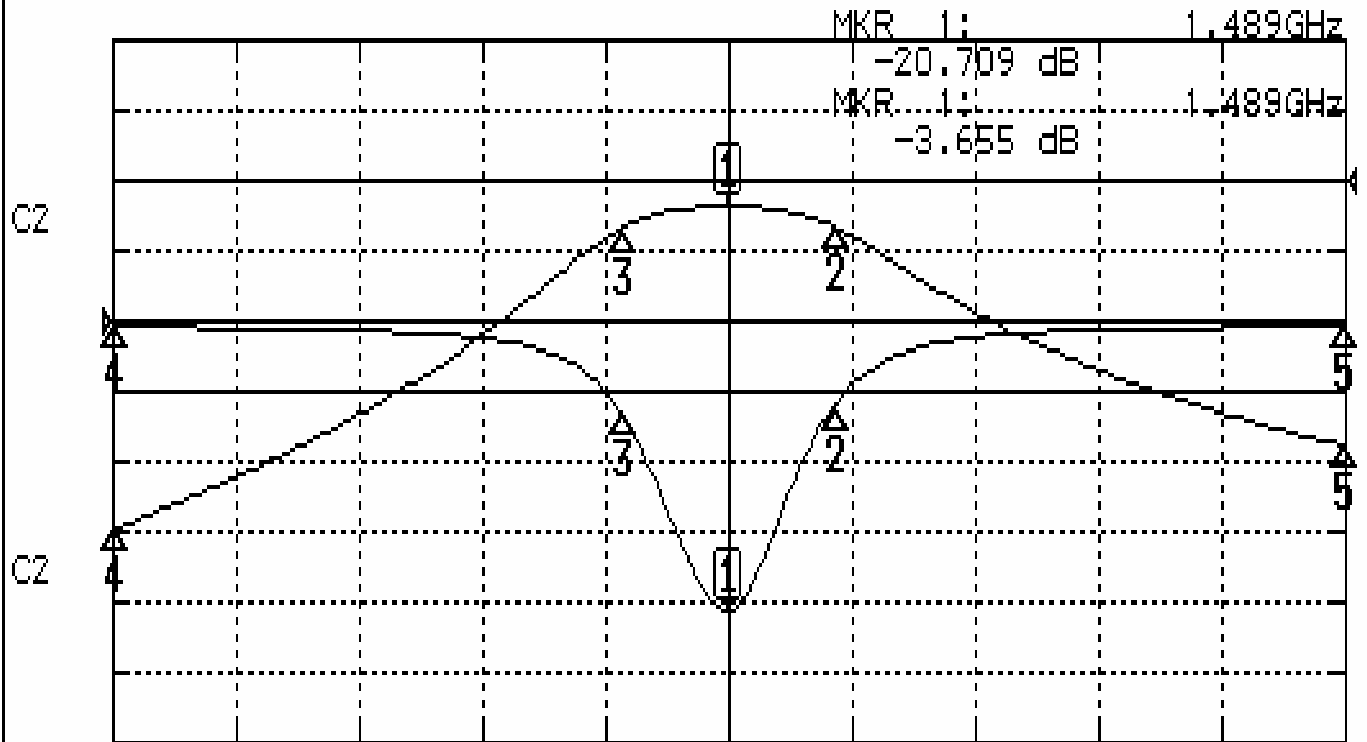
TEMWELL CORPORATION

TEMWELL Form10-5W3E Vision D RP(M.Y)

Performance-TTW3539E-1489M

201407032CD

CH1	S11	LOG MAG	REF	0.000 dB	5.000 dB/
CH2	S21	LOG MAG	REF	0.000 dB	10.000 dB/



CENTER 1.489GHz

[10.00 dBm]

SPAN 200MHz

CH1 MARKER LIST

1:	1.489	000GHz	-20.709	dB
2:	1.506	333GHz	-15.900	dB
3:	1.471	833GHz	-6.685	dB
4:	1.389	000GHz	-0.376	dB
5:	1.589	000GHz	-0.406	dB

CH2 MARKER LIST

1:	1.489	000GHz	-3.659	dB
2:	1.506	333GHz	-6.686	dB
3:	1.471	833GHz	-6.660	dB
4:	1.389	000GHz	-49.631	dB
5:	1.589	000GHz	-37.774	dB