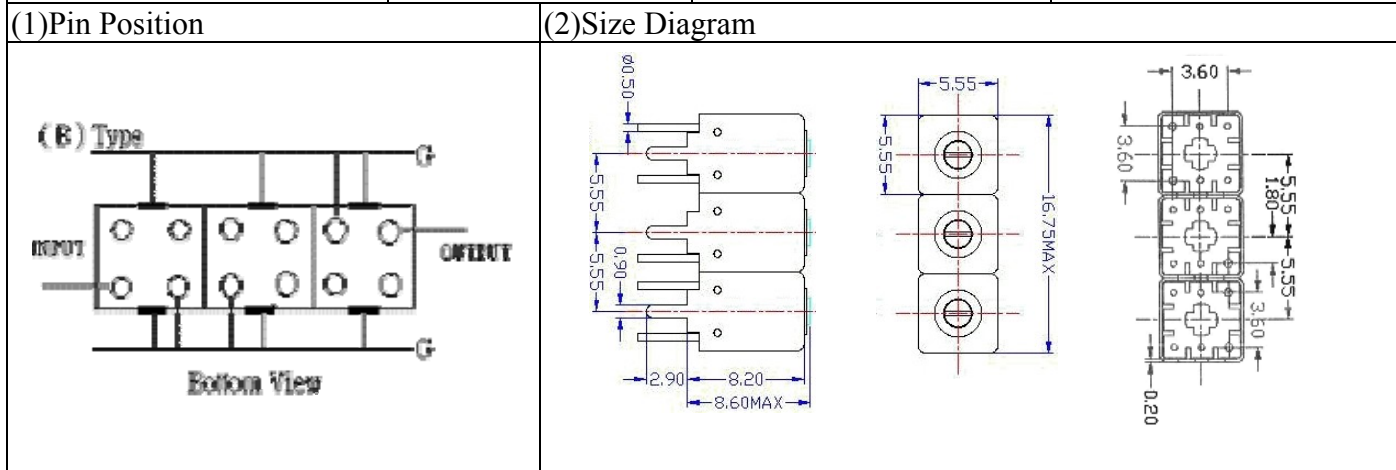


VHF UHF Helical Filter Specification Sheet

Customer Name		Temwell's Part No.	TTW3539B-1489M
Approval No. /dated		Temwell's Print Name.	3539B 1489M
Work Instruction No.	201011103BD	Date	Nov.24.2010



(3) Electric Character

Item	Specify	Performance	
Center Freq.(Fo) +/- 0.5 %	1489 MHz	1489 MHz	
Insertion Loss	Typ. 4.0 dB	3.36 dB	
-3 dB Bandwidth	Typ. 25 MHz	33.7 MHz	
Sensitivity (Attenuation)	Fo - 100 MHz	Typ. 38 dBc	44 dBc
	Fo + 100 MHz	Typ. 30 dBc	34 dBc
	Fo - ()MHz	Typ. dBc	dBc
	Fo +()MHz	Typ. dBc	dBc
Return Loss	Min. 12 dB	20.5 dB	
Ripple	< 1 dB	dB	
Impedance	In / Out : 50 Ω	In / Out : 50 Ω	

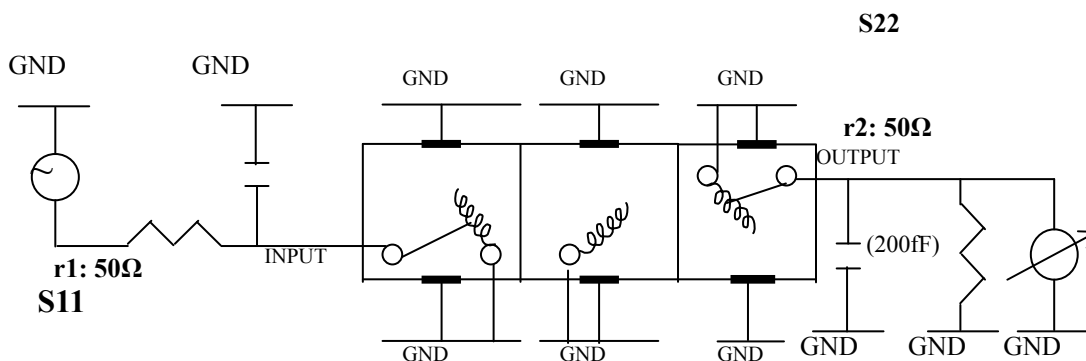
(4) Torque for Tuning Screw > 60gf · cm

(5) Temperature Condition:

Operating Temperature	0°C ~ +60°C
Storage Temperature	-20°C ~ +70°C

(6) Input Power > 0.5Watt

(7) Measuring Circuit: ※Easy to match Impedance S11/S22 50Ω by parallel with about(--) / (200fF).



(Bottom View)

Approval C.Y.Chang	Supervisor C.K.Chang	Designer F.L.Lai	Aperture size 5W3S(3.8*3.5)(3.59) 5HW024RB3
-----------------------	-------------------------	---------------------	---

TEMWELL CORPORATION

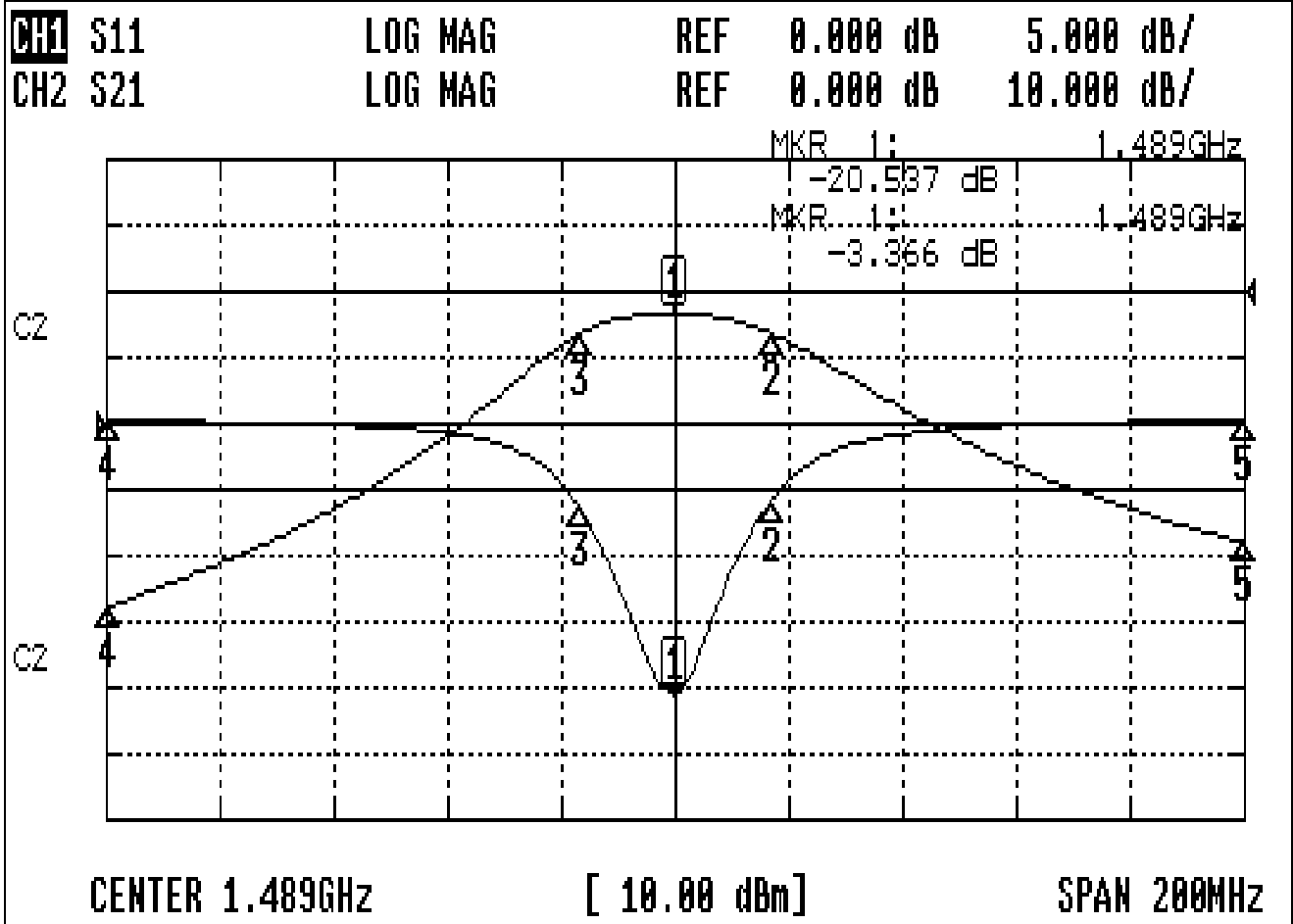
TEMWELL

Form10-5W3B Vision D

RP(F.L.L)

Performance-TTW3539B-1489M

20101103BD



CH1 MARKER LIST

Marker	Frequency (GHz)	Magnitude (dB)
1	1.489 000	-20.537
2	1.506 000	-5.758
3	1.472 333	-6.437
4	1.389 000	0.230
5	1.589 000	0.260

CH2 MARKER LIST

Marker	Frequency (GHz)	Magnitude (dB)
1	1.489 000	-3.366
2	1.506 000	-6.097
3	1.472 333	-6.061
4	1.389 000	-47.621
5	1.589 000	-37.867