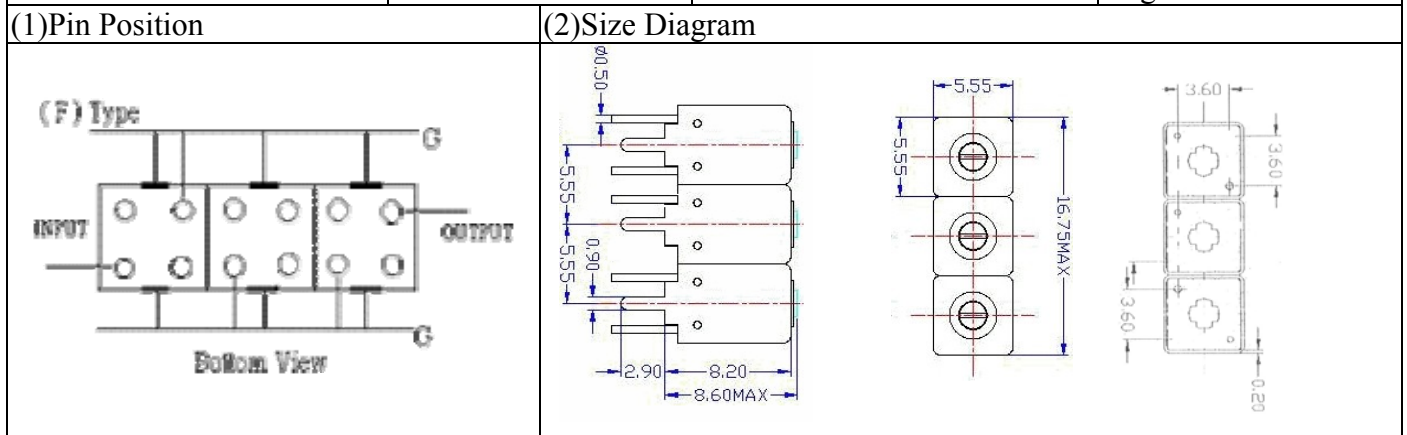


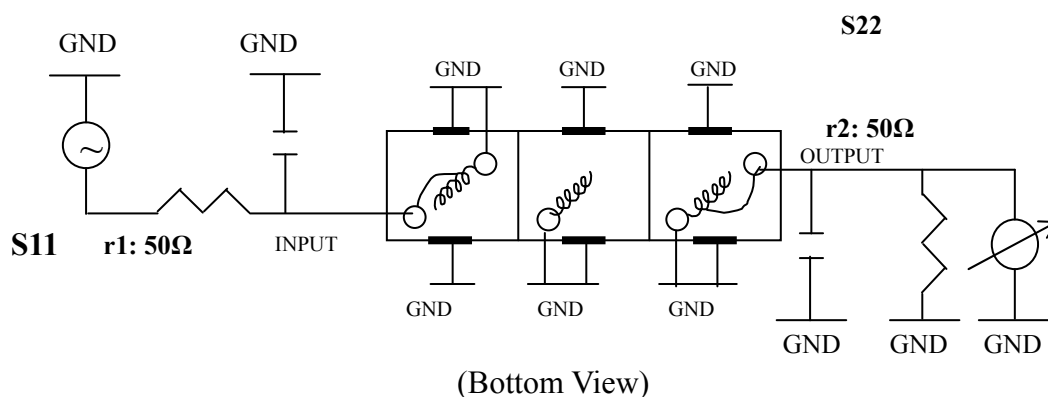
VHF UHF Helical Filter Specification Sheet

Customer Name		Temwell's Part No.	TTW3537F-1441M
Approval No. /dated	201407030CD	Temwell's Print Name.	3537F 1441M
Work Instruction No.	201407030CD	Date	Aug.01.2014



Item		Specify	Performance
Center Freq.(Fo) +/- 0.5 %		1441 MHz	1441 MHz
Insertion Loss		Typ. 4.0 dB	2.75 dB
-3 dB Bandwidth		Typ. 33 MHz	41.9 MHz
Sensitivity (Attenuation)	Fo - 100 MHz	Typ. 29 dBc	31 dBc
	Fo + 100 MHz	Typ. 44 dBc	51 dBc
	Fo - ()MHz	Typ. dBc	dBc
	Fo +()MHz	Typ. dBc	dBc
Return Loss		Min 12 dB	31.5 dB
Ripple		< 1 dB	dB
Impedance		In / Out : 50 Ω	In / Out : 50 Ω
(4) Torque for Tuning Screw		> 60gf · cm	
(5) Temperature Condition:			
Operating Temperature		0°C ~ +60°C	
Storage Temperature		-20°C ~ +70°C	
(6) Input Power		> 0.5Watt	

(7) Measuring Circuit: ※Easy to match Impedance S11/S22 50Ω by parallel with about(--).



Approval	Supervisor	Designer	Aperture size
C.Y.Chang	C.K.Chang	C.S.Chang	5W3S(3.8*3.5)(3.58) 5HW024RB3 (J1)
TEMWELL CORPORATION			

Performance-TTW3537F-1441M

201407030CD

Tr1 S11 Log Mag 5.000dB/ Ref 0.000dB [F2]
Tr2 S21 Log Mag 10.00dB/ Ref 0.000dB [F2]

