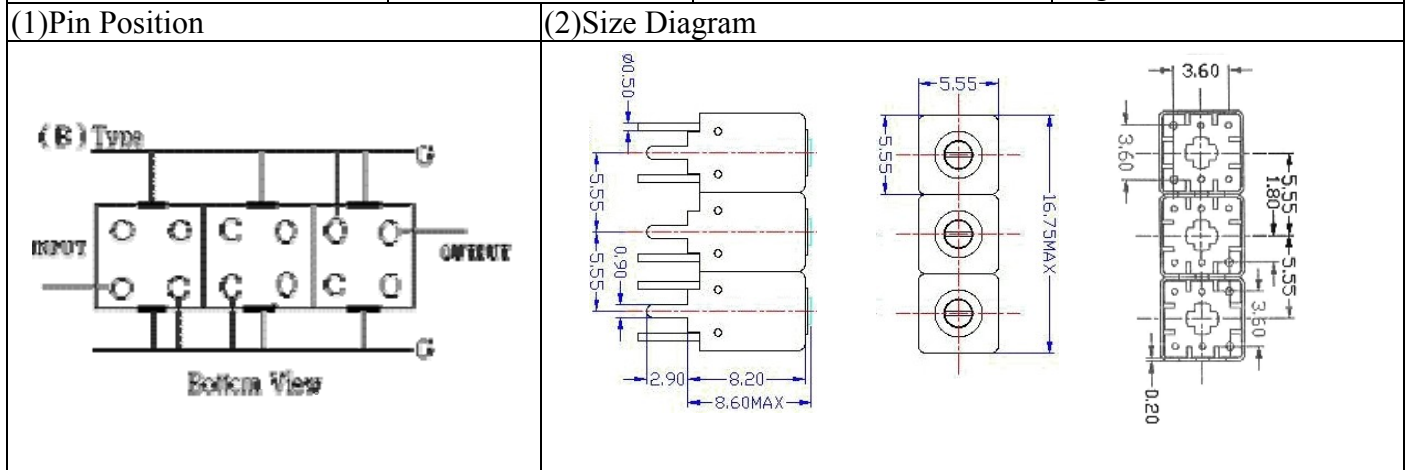


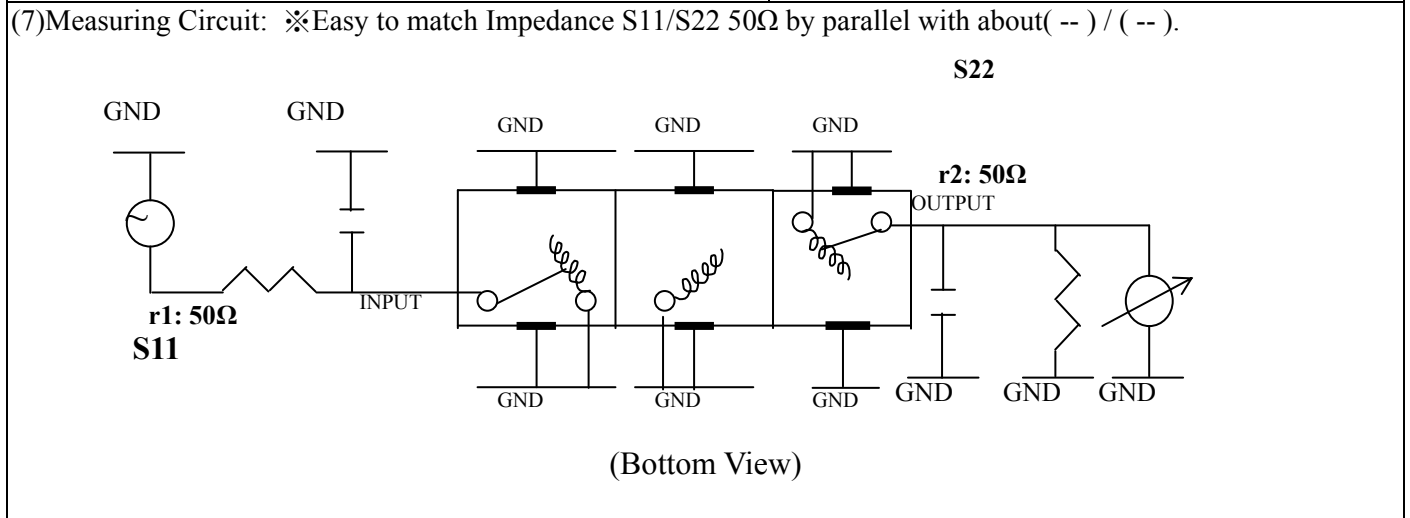
VHF UHF Helical Filter Specification Sheet

Customer Name		Temwell's Part No.	TTW3537B-1441M
Approval No. /dated	201107119CD	Temwell's Print Name.	3537B 1441M
Work Instruction No.	201107119CD	Date	Aug.15.2011



(3) Electric Character			
Item	Specify		Performance
Center Freq.(Fo) +/- 0.5 %	1441	MHz	1441 MHz
Insertion Loss	Typ. 4.0	dB	2.87 dB
-3 dB Bandwidth	Typ. 33	MHz	40.1 MHz
Sensitivity (Attenuation)	Fo - 100 MHz	Typ. 38 dBc	44 dBc
	Fo + 100 MHz	Typ. 27 dBc	30 dBc
	Fo - ()MHz	Typ. dBc	dBc
	Fo +()MHz	Typ. dBc	dBc
Return Loss	Min. 12	dB	24.7 dB
Ripple	< 1 dB		dB
Impedance	In / Out : 50 Ω		In / Out : 50 Ω
(4) Torque for Tuning Screw	> 60gf · cm		

(5) Temperature Condition:	
Operating Temperature	0°C ~ +60°C
Storage Temperature	-20°C ~ +70°C
(6) Input Power	> 0.5Watt

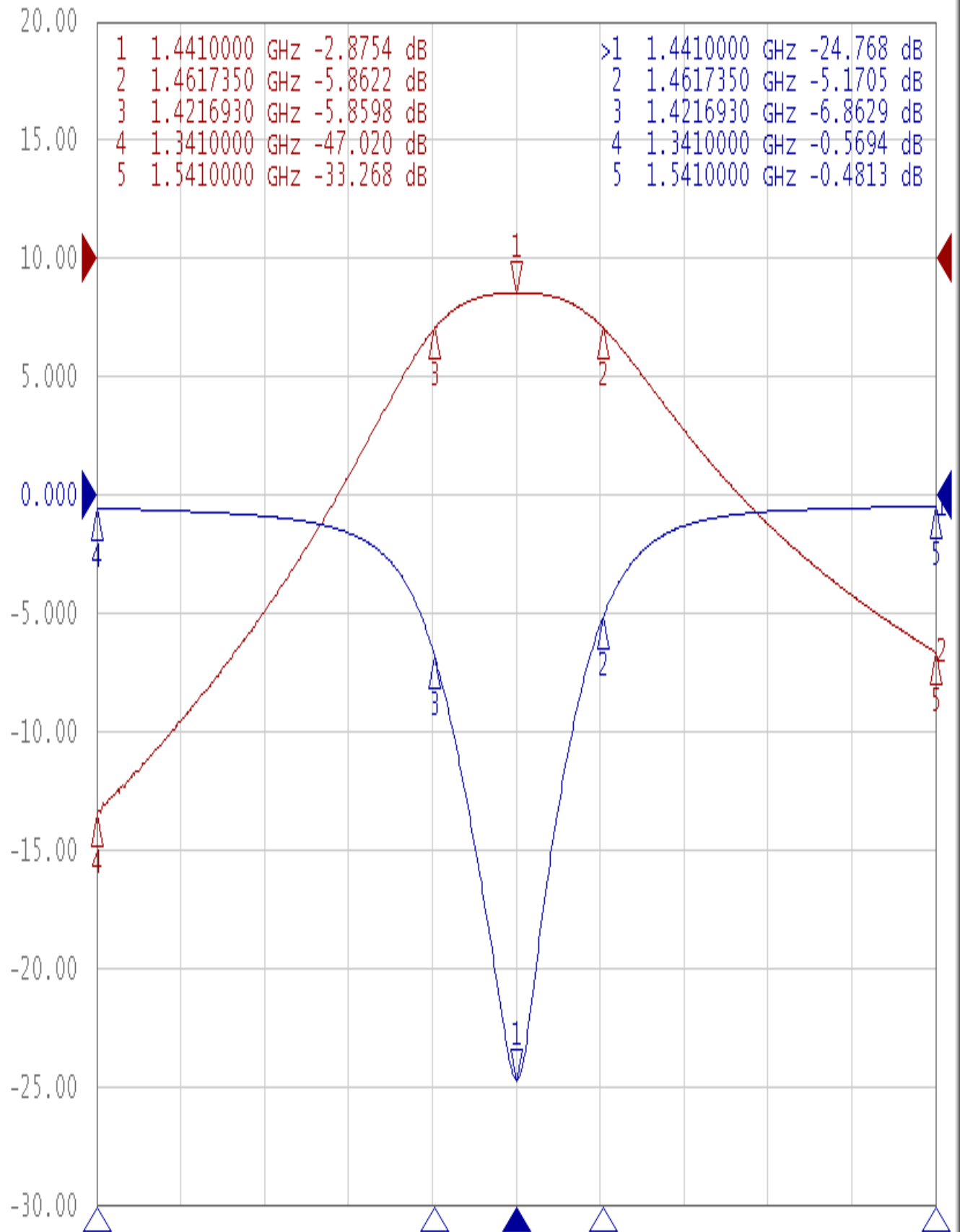


Approval	Supervisor	Designer	Aperture size
C.Y.Chang	C.K.Chang	C.S.Chang	5W3S(3.8*4.0)(4.12) 5HW024RB3

Performance-TTW3537B-1441M

201107119CD

Tr1 S11 Log Mag 5.000dB/ Ref 0.000dB [F2]
Tr2 S21 Log Mag 10.00dB/ Ref 0.000dB [F2]



1 Center 1.441 GHz

IFBW 10 kHz

Span 200 MHz Cor !