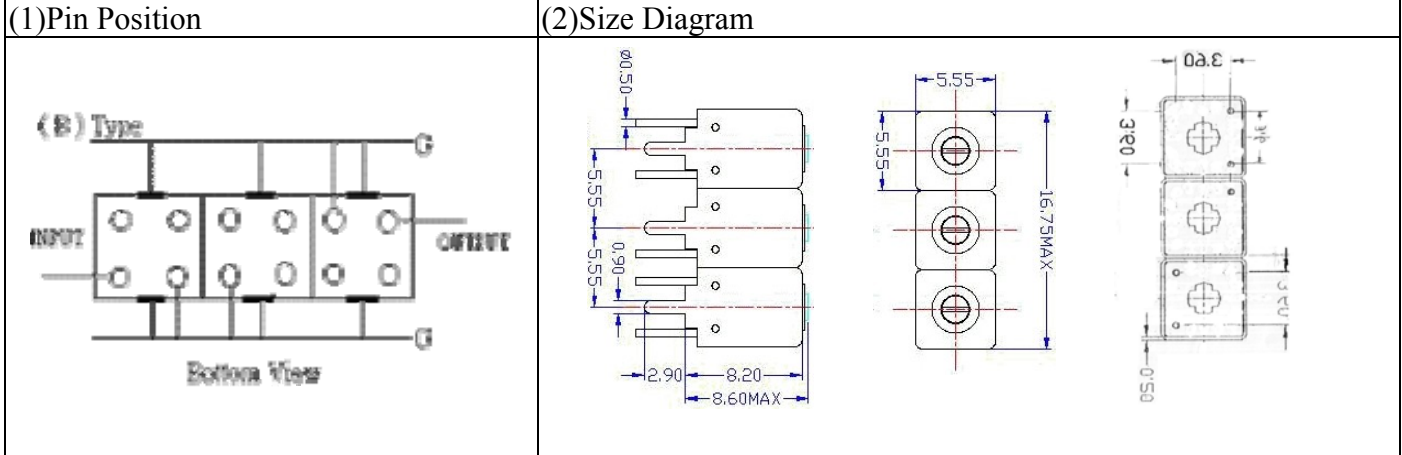
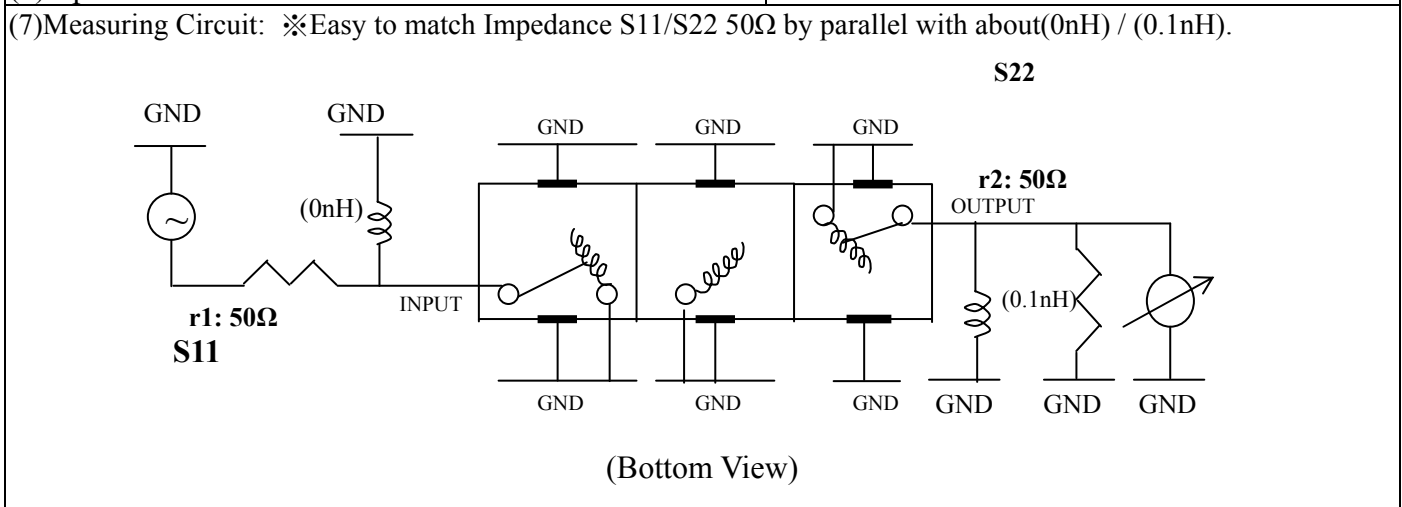


VHF UHF Helical Filter Specification Sheet

Customer Name		Temwell's Part No.	TTW3536B-2450M
Approval No. /dated	20403054C	Acceptable Specify Fo.Range	2401~2450MHz
Work Instruction No.	20403054C	Date	July.23.2008



(3) Electric Character			
Item	Specify	Performance	
Center Freq.(Fo) +/- 0.5 %	2450 MHz	2450 MHz	
Tunable Range:	2450±5 MHz	2450±5 MHz	
Insertion Loss	Typ. 3.0 dB	2.02 dB	
-3 dB Bandwidth	Typ. 82 MHz	102.7 MHz	
Sensitivity (Attenuation)	Fo - 450 MHz	Typ. 51 dBc	54 dBc
	Fo + 450 MHz	Typ. 32 dBc	35 dBc
	Fo - (1800)MHz	Typ. 50 dBc	59 dBc
	Fo + ()MHz	Typ. dBc	dBc
Return Loss	Min. 12 dB	23.9 dB	
Ripple	< 1 dB	dB	
Impedance	In / Out : 50 Ω	In / Out : 50 Ω	
(4) Torque for Tuning Screw	> 60gf • cm		
(5) Temperature Condition:			
Operating Temperature	0°C ~ +60°C		
Storage Temperature	-20°C ~ +70°C		
(6) Input Power	> 0.5Watt		



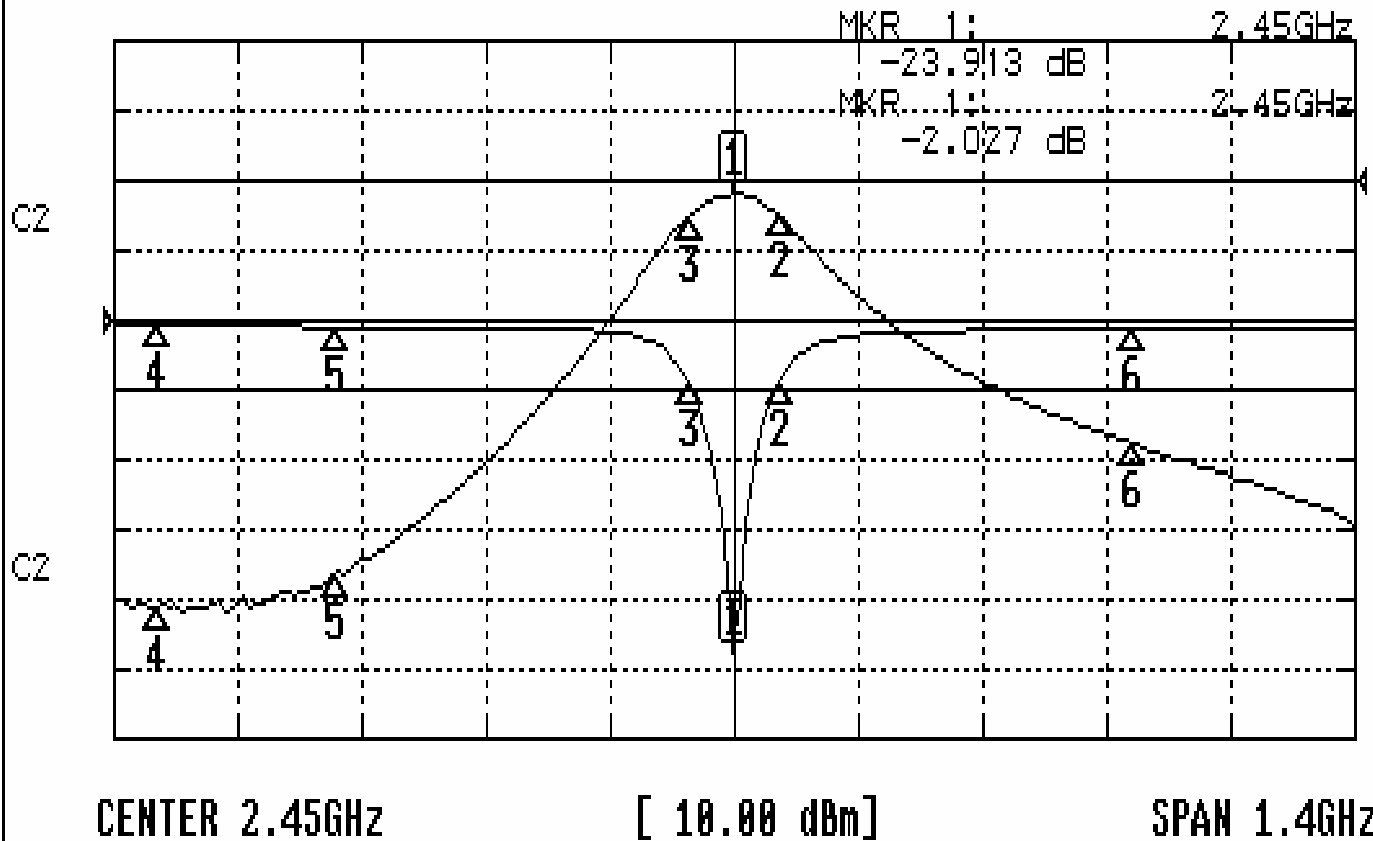
Approval C.Y.Chang	Supervisor C.S.Chang	Designer J.F.Lin	Aperture size 5W3(3.8*4.5) 5HW046RB3.2
-----------------------	-------------------------	---------------------	--

TEMWELL CORPORATION

Performance-TTW3536B-2450M

20403054C

CH1 S11 LOG MAG REF 0.000 dB 5.000 dB/
 CH2 S21 LOG MAG REF 0.000 dB 10.000 dB/



CH1 MARKER LIST

1:	2.450	000GHz	-23.913	dB
2:	2.501	333GHz	-4.304	dB
3:	2.398	666GHz	-4.334	dB
4:	1.800	000GHz	-0.385	dB
5:	2.000	000GHz	-0.450	dB
6:	2.900	000GHz	-0.685	dB
7:				
8:				
9:				
10:				

CH2 MARKER LIST

1:	2.450	000GHz	-2.027	dB
2:	2.501	333GHz	-0.009	dB
3:	2.398	666GHz	-0.050	dB
4:	1.800	000GHz	-1.149	dB
5:	2.000	000GHz	-0.339	dB
6:	2.900	000GHz	-37.725	dB
7:				
8:				
9:				
10:				